

New Cargo Export Project

Drawing Package #1

VFPA PER Checklist Review - Drawing Requirements
New Cargo Export Project - Category C

Study/Plan	Requirements	Drawing Package #	Drawing Package Page
Section 3: Drawing Requirements			
Location Plan	Plan showing the relationship of the proposed Project to surrounding area at a 1:5000 scale	Drawing Package #1	Figure 1: Project Location Overview; Page 4 The scale was adjusted to adequately show the Project's relationship to the surrounding area.
Site Plan	Lease and property boundaries, easements and right-of-ways.		Lease Plan No. 2014-116; Page 5
	Legal high water mark where applicable.		See Marine Structures Drawings; Package #2
	Location and dimensions of all existing and proposed buildings, structures, equipment, and marine structures.		Site Plan: 40101-D0000-0000; Page 6
	Access points including roadways, driveways, parking areas, walkways, berths, gangways, docks.		Figure 4: Project Construction Staging Areas and Contractor Parking; Page 7 Existing access for roadways, parking and walkways will be used for construction and operation. There is no driveway for Westshore access, it is at the end of the causeway.
	Area of demolition or construction staging/laydown area.		Figure 4: Project Construction Staging Areas and Contractor Parking; Page 7
Buildings, Structures & Equipment	Elevations of front, rear, and two sides with dimensions.		<u>New Railcar Dumper</u> Potash Dumper Building - Elevations: 81300-D0015-0103; Page 10 Potash Dumper Building - Plan: 81300-D0015-0101, -102; Page 11 and 12 Potash Dumper Building - GA: 81300-D0000-0001, -003; Page 13 and 14 Dumper Concrete Tunnel Sections - 85340-D0010-0001; Page 15
	Floor levels and height above and below finished grades.		<u>New Potash Storage Building</u> Potash Storage Building - Plan and Elevation: 85400-D0015-0001, -02; Page 17 and 18 Potash Storage Building - Typical Section: 85400-D0015-0003; Page 19 Storage Building East Tower - GA: 85370-D0100-000, -001; Page 20 and 21 Wash Bay Building - Plan and Elev.: 85410-D0015-0001, -02; Page 22 and 23
	Building floor plans of all storeys including door, window and skylight locations.		<u>Conveyors and Transfer Towers</u> Conveyor #P40 - GA: 85340-D0100-000; Page 28 Transfer Tower #P42 - Plans & Elev.: 85342-D0120-0100, -0110, -0111; Page 29, 30 and 31 Conveyor #P45 - GA: 85345-D0100-000; Page 32 Transfer Tower #P47 - Plans & GA: 85347-D0100-0000, -0010; Page 33 and 34 Conveyor #P50 - GA: 85350-D0100-000; Page 35 Transfer Tower #P52 - Plans & GA: 85352-D0100-0000, -0001, -0002, -0003; Page 36, 37, 38 and 39 Conveyor #P55 - GA: 85355-D0100-0000; Page 40 Transfer Tower #P57 - Plans & GA: 85357-D0100-0000; Page 41 Conveyor #P65 - GA: 85665-D0200-0001, -0002; Page 42 and 43 Transfer Tower #P67 - Plans & GA: 85667-D0200-0001; Page 44 Conveyor #P70 - GA: 85670-D0300-0000; Page 45 Transfer Tower #P77 - Plans & GA: 85677-D0300-0000, -0001; Page 46 and 47 Conveyor #C11 - GA: 82214-D0300-0000; Page 48 Conveyor #C12A - GA: 82215-D0300-0000; Page 49 Conveyor #C12B - GA: 82216-D0300-0000; Page 50 Conveyor C11 Truss Details: 82214-D0320-0100, -0101; Page 51 and 52 Conveyor C11 Sections and Details: 82214-DD0320-0102; Page 53 Coal/Potash Conveyor C12A Truss Details: 82215-D0320-0100, -0101; Page 54 and 55 Coal/Potash Conveyor C12B Truss Details: 82216-D0320-0100, -0101; Page 56 and 57 Transfer Tower #P30 - Steel Plans: 82230-D0320-0100, -0101, -0102, -0103; Page 58 - 61 Transfer Tower #P30 - Steel Elevations: 82230-D0320-0110, -0111; Page 62 and 63
	Roof plans with dimensions and elevations of roof parapet, mechanical and elevator/stair housing.		<u>Other Buildings</u> Potash Off-Spec Building - GA and Sections: 85405-D0215-0001, -0002; Page 65 and 66
	Finishing details and materials.	To be provided with Building Permit Application	
	Excavation depths anticipated (receiving pits, foundations, trenches for utilities, etc.), including depth of excavation required to construct any below-ground infrastructure.	Excavations for conveyors, transfer towers and utilities are generally shallow. Main excavation areas contained to Railcar Dumper and Storage Building. Cut and fill volumes provided for the Storage Building and foundation drawings provided for the Railcar Dumper. Refer to the following: <u>Railcar Dumper</u> 81300-D0010-0003 Dumper pit concrete for approximate concrete depths; Page 14 85340-D0010-0001 Conveyor 40 (tunnel); Page 15 <u>Storage Building</u> Storage Building - Existing Plan and Profile - 85400-00010-0010; Page 24 Storage Building Area - Cut Volumes - 85400-D0010-0013; Page 25 Storage Building Area - Fill Volumes - 85400-D0010-0014; Page 26	
	Signage (location, dimensions and lighting details).	No new signage proposed for the site. Additional lighting details to be provided with the Building Permit Application.	
Information on site loading for foundation design criteria and any other anticipated loads.	VFPA PER Application Report; Appendix A2 - Geotechnical		


Location and Site Plan

Figure 1 Project Location Overview.



Data Source:
 Orthophoto 0.75 cm, City of Delta,
 26 April 2018, Esri Online Service.



0 250 500 1000 m 

Scale: 1:35,000
 Projection: NAD 1983 UTM Zone 10N



New Cargo Export Project

K:\Data\Project\WTL10606-NVA_MXD\WTL10606_ProjectLocation_Overview_20210421_v1_0_TD.mxd



PARCEL AREAS

PCL 'A' (LAND)	= 551,471m ² (5035,866ft ²)
PCL 'B' (WATER)	= 209,485m ² (2,234,878ft ²)
PCL 'C' (WATER)	= 167,606m ² (1,804,096ft ²)
PCL 'D' (WATER)	= 44,385m ² (477,756ft ²)
PCL 'E' (WATER)	= 9,622m ² (103,570ft ²)
TOTAL AREA	= 982,569m²

CERTIFIED CORRECT
on the 02nd day of April 2014

Satnam Singh Senghera
SATNAM SINGH SENGERA
Senior Engineering Survey Technician

REFERENCES: DEL034-04458F, VFPA PLAN 2011-089 AND 2013-281
NOTES:
-DISTANCES ARE SHOWN IN INTERNATIONAL METRES AND DECIMALS THEREOF.
-BEARINGS ARE U.T.M., AND ARE DERIVED FROM VFPA CONTROL SURVEY.
-PRIOR TO COMPUTATION OF U.T.M. CO-ORDINATES, MULTIPLY DISTANCES BY COMBINED SCALE FACTOR 0.9996037.
-FINAL DIMENSIONS AND CO-ORDINATES ARE SUBJECT TO SURVEY

Ref.No.	REFERENCE	No.	Date	REVISION	Dr'n Ch'd

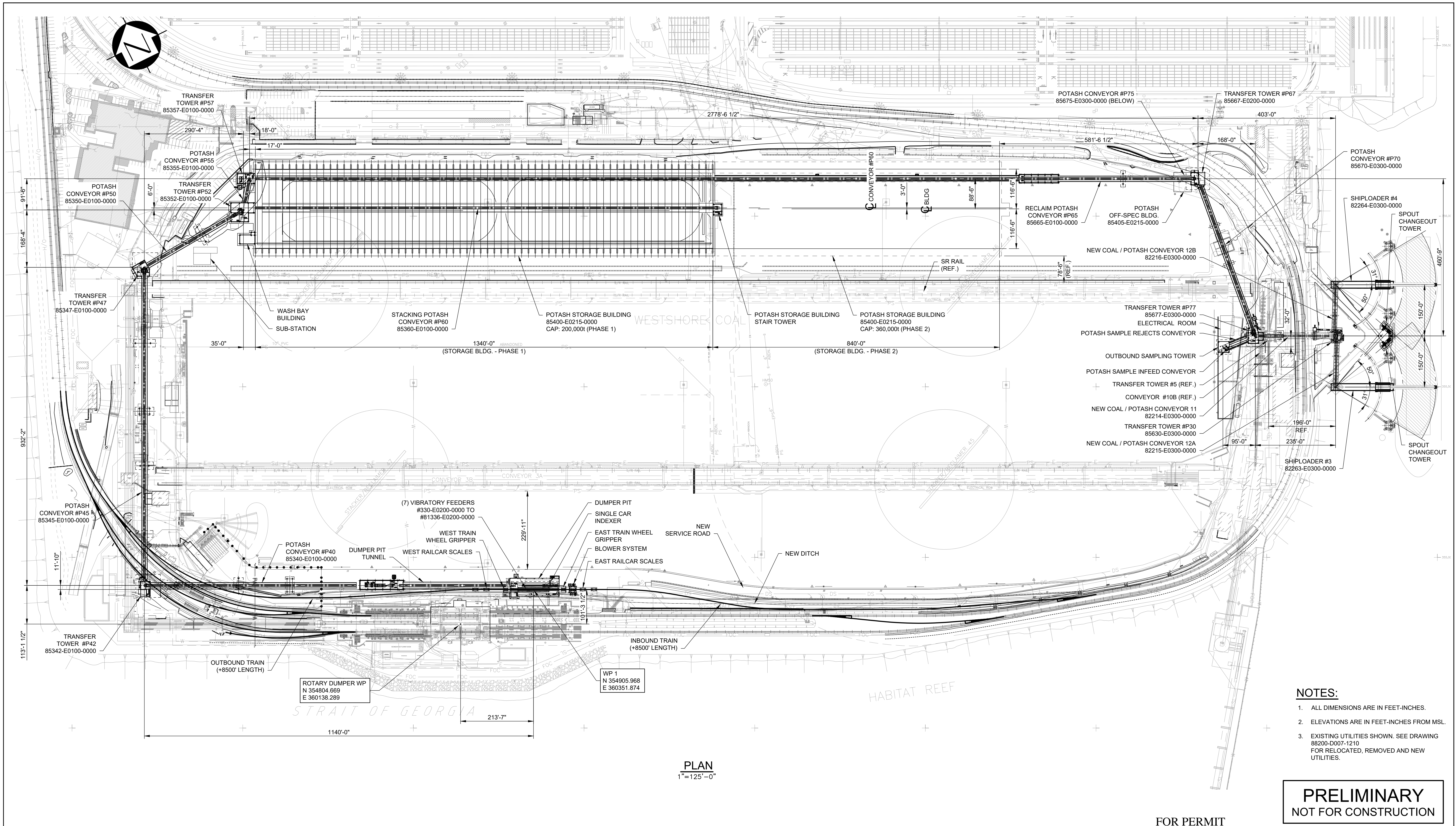


PORT METRO VANCOUVER
VANCOUVER FRASER PORT AUTHORITY
ENGINEERING DEPARTMENT

DESIGN BY: []
DRAWN BY: 505
APPROVED: []
DATE: 02-APRIL-2014
SCALE: 1:2500
VFA SITE: DEL034

WESTSHORE TERMINALS LIMITED PARTNERSHIP
LEASE AREAS OVER PARTS OF LOT A PLAN LMP25402 EXCEPT PORTIONS
IN PLAN BCP22579, PARCEL A PLAN BCP12878 AND DISTRICT LOT 851 ALL
OF BED OF THE STRAIT OF GEORGIA GROUP 2 N. W. D.
THE CORPORATION OF DELTA

SHEET: A1
LEASE PLAN No. 2014-116
SHEET 1 of 1



- NOTES:**
1. ALL DIMENSIONS ARE IN FEET-INCHES.
 2. ELEVATIONS ARE IN FEET-INCHES FROM MSL.
 3. EXISTING UTILITIES SHOWN. SEE DRAWING 88200-D007-1210 FOR RELOCATED, REMOVED AND NEW UTILITIES.

**PRELIMINARY
NOT FOR CONSTRUCTION**

FOR PERMIT

REF.	DWG. NUMBER	DESCRIPTION	No.	YYYY-MM-DD	DESCRIPTION	ISSUES / REVISIONS	DRAWN	DWG. CHECK	DESIGN	DESIGN CHECK	DISC. APPROVAL	PROJ. APPROVAL	DRAWN BY:	SCALE:	ACAD FILENAME: 40101-D0000-0000	REV.
			P10	2021-09-02	RE-ISSUED FOR USE		DCC			DCC			PMD		AJK	
			P9	2020-12-15	ISSUED FOR USE - STAGE 2 STUDY		SJM			SJM			PMD		AJK	
			P8	2020-11-27	ISSUED FOR REVIEW		DCC			DCC			PMD		AJK	
			P7	2020-11-13	ISSUED FOR REVIEW		DCC			DCC			PMD		AJK	
			P6	2020-08-31	ISSUED FOR INFORMATION		DCC			DCC			PMD		AJK	
			P5	2020-07-03	ISSUED FOR STAGE 1 REVIEW		DCC			DCC			PMD		AJK	
			P4	2020-06-02	ISSUED FOR REVIEW-STORAGE BLDG & SURGE BIN MOVED 25FT SOUTH		DCC			DCC			PMD		AJK	
			P3	2020-05-22	ISSUED FOR REVIEW		DCC			DCC			PMD		AJK	
			P2	2020-05-07	ISSUED FOR REVIEW		DCC			DCC			PMD		AJK	
			P1	2020-04-16	ISSUED FOR REVIEW		DCC			DCC			PMD		AJK	



WestshoreTerminals

CWA PROJECT NUMBER: 19899

**NEW CARGO STUDY
SITE PLAN**

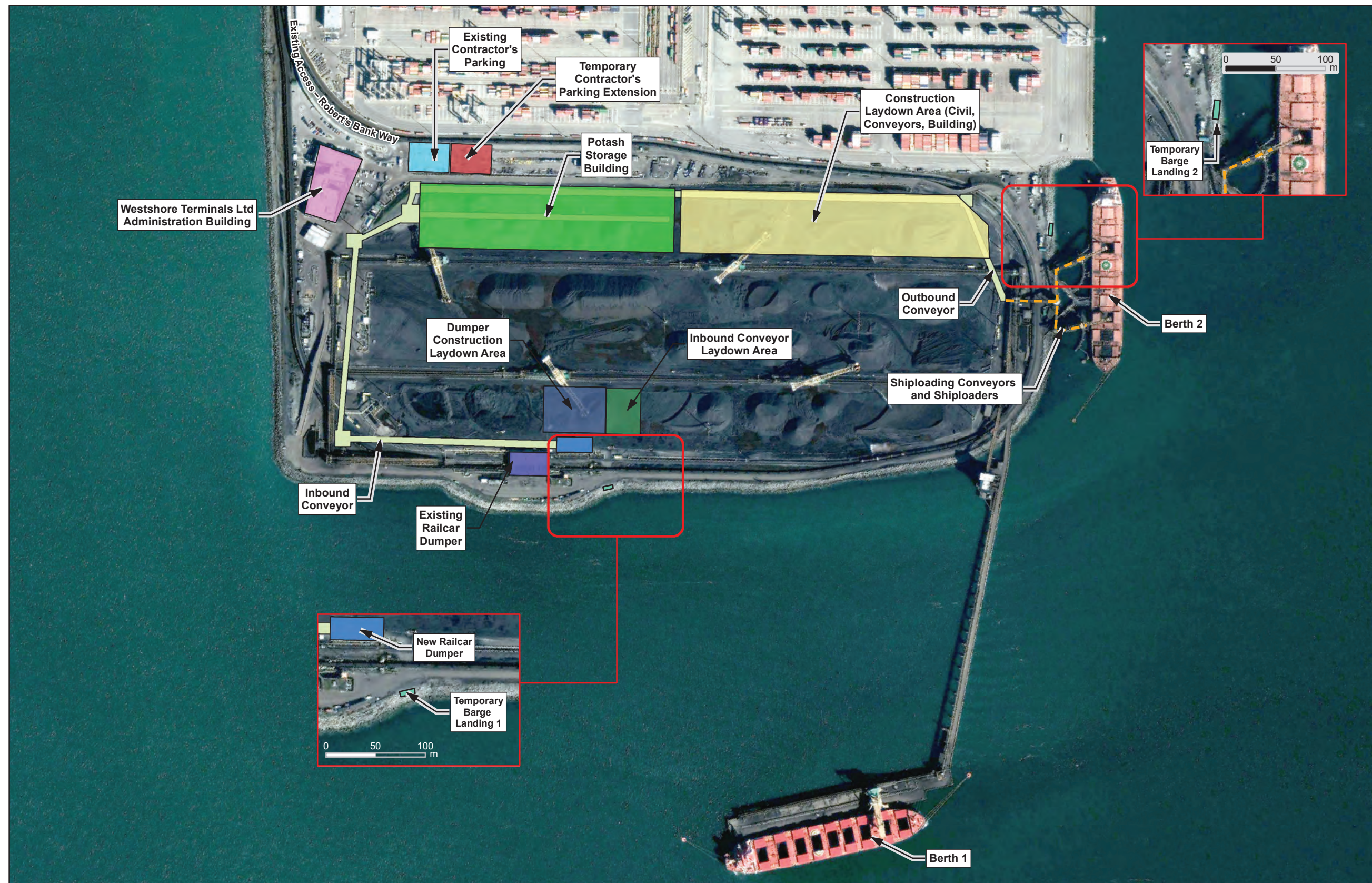
40101-D0000-0000

P10

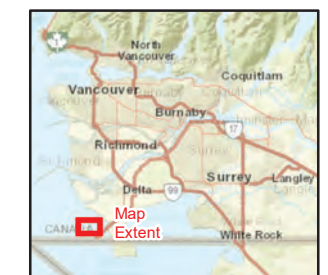
This drawing has been prepared by CWA Engineers Inc. as an instrument of service and is the exclusive property of CWA. This drawing shall be used solely for the purpose of this project. The client agrees that this drawing shall not be used for purposes other than those intended, and shall hold the engineer harmless for any other such use.

DRAWN BY: SCALE: ACAD FILENAME: 40101-D0000-0000 REV.

Figure 4 Project construction staging areas and contractor parking.



- Legend**
- Project Components**
- Shiploading Conveyors and Shipladers
 - Conveyor
 - Construction Laydown Area (Civil, Conveyors, Building)
 - Dumper Construction Laydown Area
 - Existing Contractor's Parking
 - Existing Railcar Dumper
 - Inbound Conveyor Laydown Area
 - Potash Storage Building
 - Temporary Contractor's Parking Extension
 - Westshore Terminals Ltd Administration Building
 - New Railcar Dumper
 - Temporary Barge



0 50 100 m

Scale: 1:6,000

Projection: NAD 1983 UTM Zone 12N

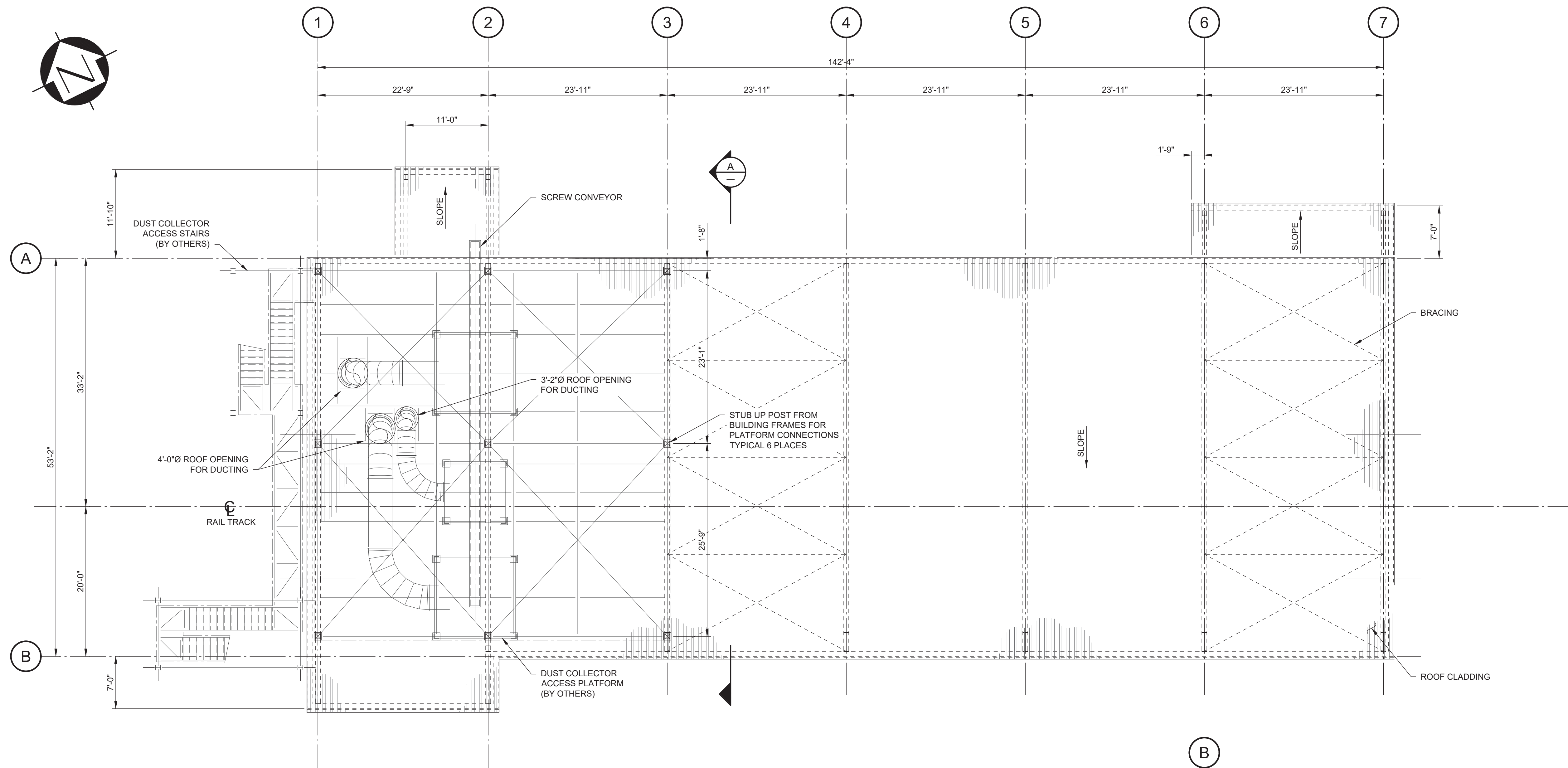
Data Sources:

- a) Project components, Hatfield 2021.
- b) Temporary Barge digitized using Westshore temporary barge landing location.pdf, Nickel Bros 2021.
- c) Base imagery, 14 March 2020, Retrieved from © Google Earth.

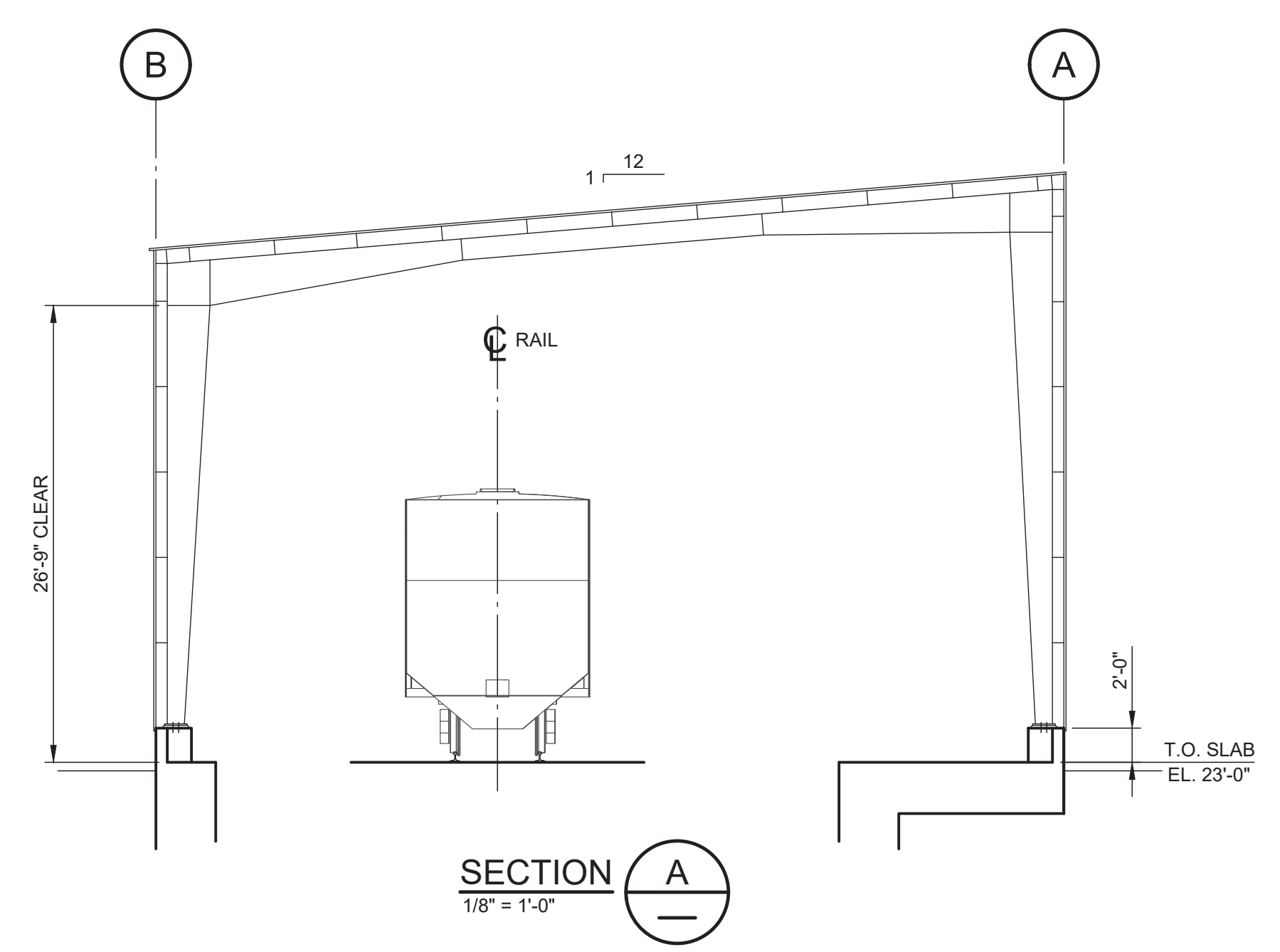


Buildings, Structures and Equipment


New Railcar Dumper



ROOF PLAN
1/8" = 1'-0"

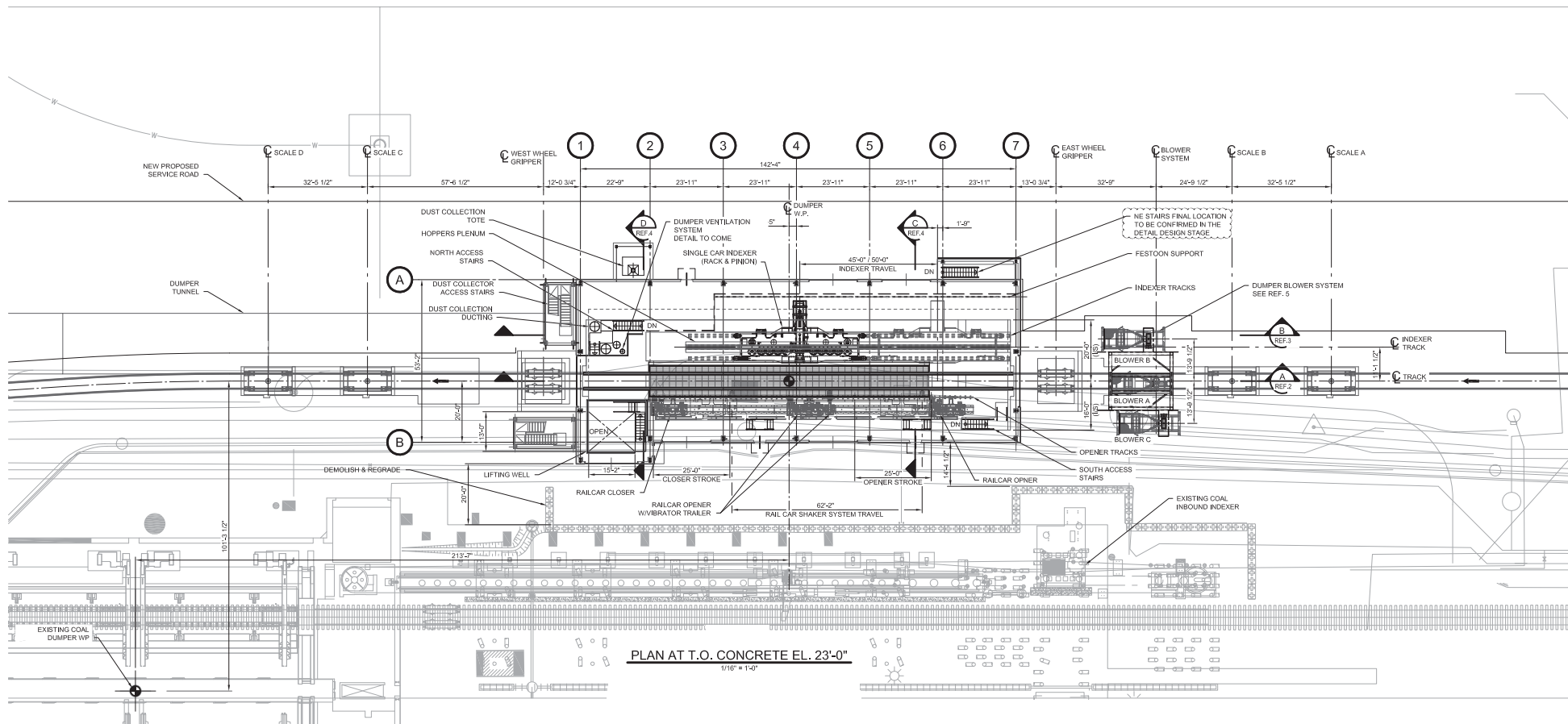


FOR PERMIT
PRELIMINARY
NOT FOR CONSTRUCTION

1		81300-D0015-0103	POTASH DUMPER BUILDING - ELEVATIONS	No.	YYYY-MM-DD	DESCRIPTION	DRAWN	DWG. CHECK	DESIGN	DESIGN CHECK	DISC. APPROVAL	PROJ. APPROVAL	 Westshore Terminals CWA PROJECT NUMBER: 19899 NEW CARGO STUDY POTASH DUMPER BUILDING PLAN - SHEET 1 81300-D0015-0101 P3		
REF.	DWG. NUMBER	DESCRIPTION		No.	YYYY-MM-DD	DESCRIPTION	DRAWN	DWG. CHECK	DESIGN	DESIGN CHECK	DISC. APPROVAL	PROJ. APPROVAL			
													This drawing has been prepared by CWA Engineers Inc. as an instrument of service and is the exclusive property of CWA. This drawing shall be used solely for the purpose of this project. The client agrees that this drawing shall not be used for purposes other than those intended, and shall hold the engineer harmless for any other such use.		
		REFERENCE DRAWINGS / DESIGN STANDARDS				ISSUES / REVISIONS				* HAND INITIALS ON FILE		DRAWN BY: HRS	SCALE: AS NOTED	ACAD FILENAME: 81300-D0015-0101 TO 0103	REV.



- NOTES:**
1. ALL DIMENSIONS ARE IN FEET-INCHES.
 2. ELEVATIONS ARE IN FEET-INCHES FROM MSL.
 3. EXISTING UTILITIES SHOWN, SEE DRAWING 88200-D007-1210 FOR RELOCATED, REMOVED AND NEW UTILITIES.



PLAN AT T.O. CONCRETE EL. 23'-0"
1/16" = 1'-0"

FOR PERMIT

**PRELIMINARY
NOT FOR CONSTRUCTION**

REF.	DWG. NUMBER	DESCRIPTION	No.	YYYY-MM-DD	DESCRIPTION	DRAWN	DWG. CHECK	DESIGN	DESIGN CHECK	DISC. APPROVAL	PROJ. APPROVAL	DRAWN BY:	SCALE:	ACAD FILENAME:	REV.
5	81300-D0125-0000	NEW CARGO STUDY - DUMPER BLOWER SYSTEM - G.A. - PLAN & SECTIONS													
4	81300-D0000-0005	NEW CARGO STUDY - DUMPER GENERAL ARRANGEMENT - SHT.5													
3	81300-D0000-0004	NEW CARGO STUDY - DUMPER GENERAL ARRANGEMENT - SHT.4	P3	2020-12-15	ISSUED FOR USE - STAGE 2 STUDY	DCC		DCC		PMD	AJK				
2	81300-D0000-0003	NEW CARGO STUDY - DUMPER GENERAL ARRANGEMENT - SHT.3	P2	2020-11-27	ISSUED FOR REVIEW	DCC		DCC		PMD	AJK				
1	40101-D0000-0000	SITE PLAN	P1	2020-10-30	ISSUED FOR REVIEW	DCC		DCC		PMD	AJK				
REF.		REFERENCE DRAWINGS / DESIGN STANDARDS	No.	YYYY-MM-DD	DESCRIPTION	DRAWN	DWG. CHECK	DESIGN	DESIGN CHECK	DISC. APPROVAL	PROJ. APPROVAL	DRAWN BY: DCC	SCALE: AS NOTED	ACAD FILENAME: 81300-D0000-0001 TO 0005	REV.



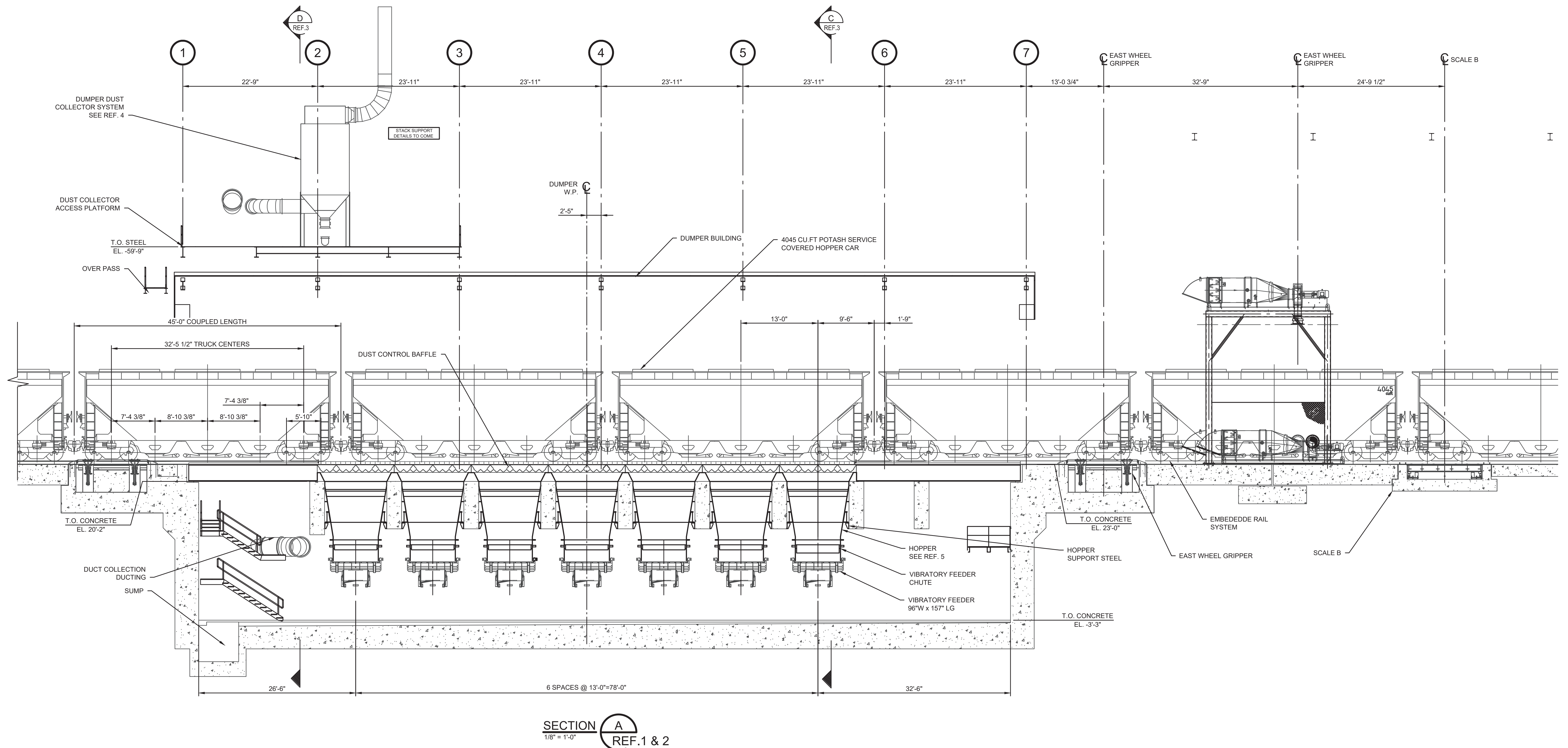
CWA PROJECT NUMBER: 19899

**NEW CARGO STUDY
DUMPER
GENERAL ARRANGEMENT - SHT.1**

81300-D0000-0001 P3

This drawing has been prepared by CWA Engineers Inc. as an instrument of service and is the exclusive property of CWA. This drawing shall be used solely for the purpose of the project. The client agrees that this drawing shall not be used for purposes other than those intended, and shall hold the engineer harmless for any other such uses.

- NOTES:**
- ALL DIMENSIONS ARE IN FEET-INCHES.
 - ELEVATIONS ARE IN FEET-INCHES FROM MSL.



FOR PERMIT
PRELIMINARY
 NOT FOR CONSTRUCTION

REF.	DWG. NUMBER	DESCRIPTION	No.	YYYY-MM-DD	DESCRIPTION	ISSUES / REVISIONS	DRAWN	DWG. CHECK	DESIGN	DESIGN CHECK	DISC. APPROVAL	PROJ. APPROVAL
5	81330-D0225-5000	NEW CARGO STUDY - DUMPER - VIB FEEDER HOPPER - GENERAL ARRANGEMENT										
4	81330-D0040-7010	NEW CARGO DUMPER - DUST COLLECTION GENERAL ARRANGEMENT - SHT.1										
3	81330-D0000-0005	NEW CARGO STUDY - DUMPER GENERAL ARRANGEMENT - SHT.5	P3	2020-12-15	ISSUED FOR USE - STAGE 2 STUDY		DCC		DCC		PMD	AJK
2	81330-D0000-0002	NEW CARGO STUDY - DUMPER GENERAL ARRANGEMENT - SHT.2	P2	2020-11-27	ISSUED FOR REVIEW		DCC		DCC		PMD	AJK
1	81330-D0000-0001	NEW CARGO STUDY - DUMPER GENERAL ARRANGEMENT - SHT.1	P1	2020-10-30	ISSUED FOR REVIEW		DCC		DCC		PMD	AJK

CWA

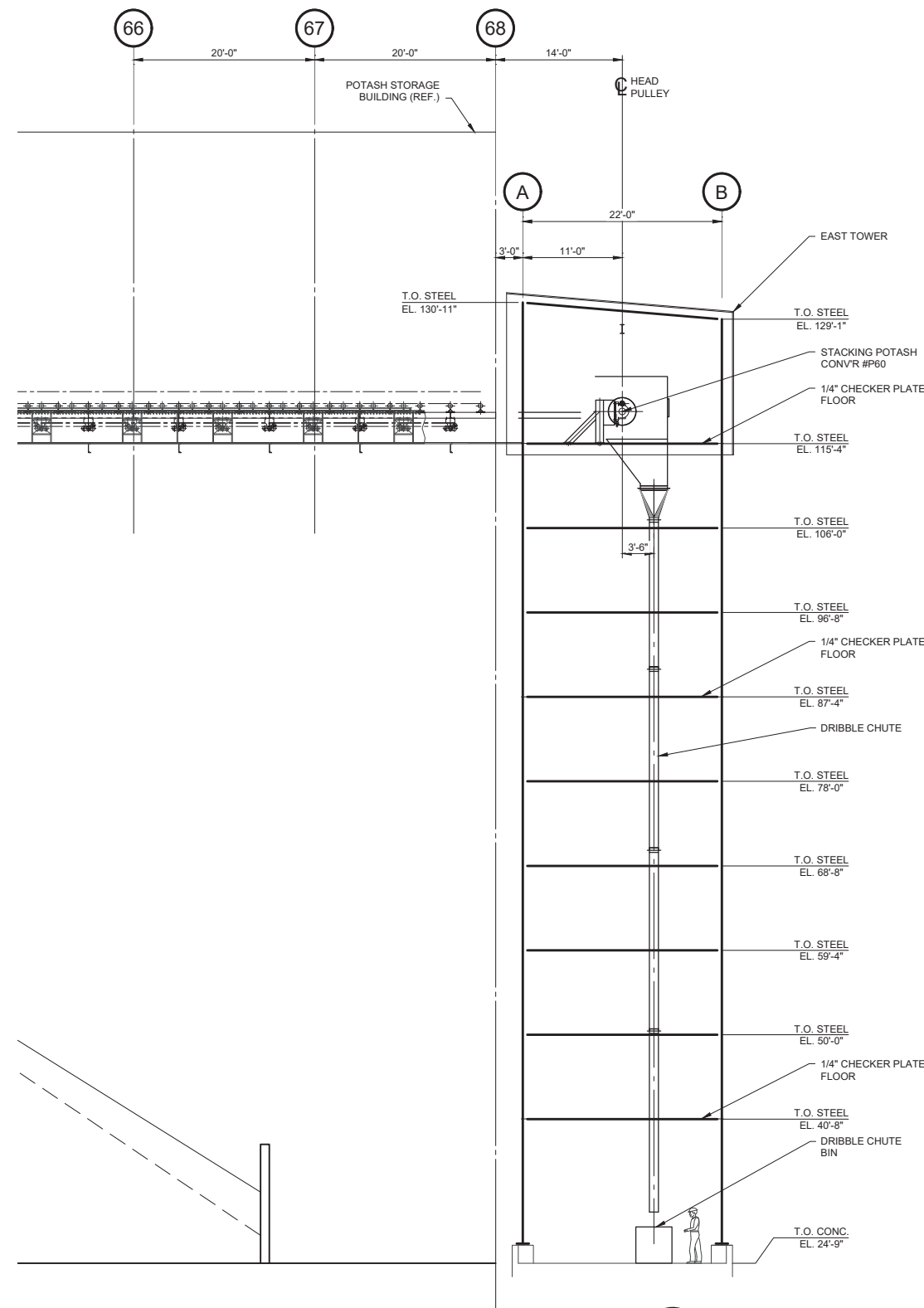
This drawing has been prepared by CWA Engineers Inc. as an instrument of service and is the exclusive property of CWA. This drawing shall be used solely for the purpose of this project. The client agrees that this drawing shall not be used for purposes other than those intended, and shall hold the engineer harmless for any other such use.

WestshoreTerminals
 CWA PROJECT NUMBER: 19899

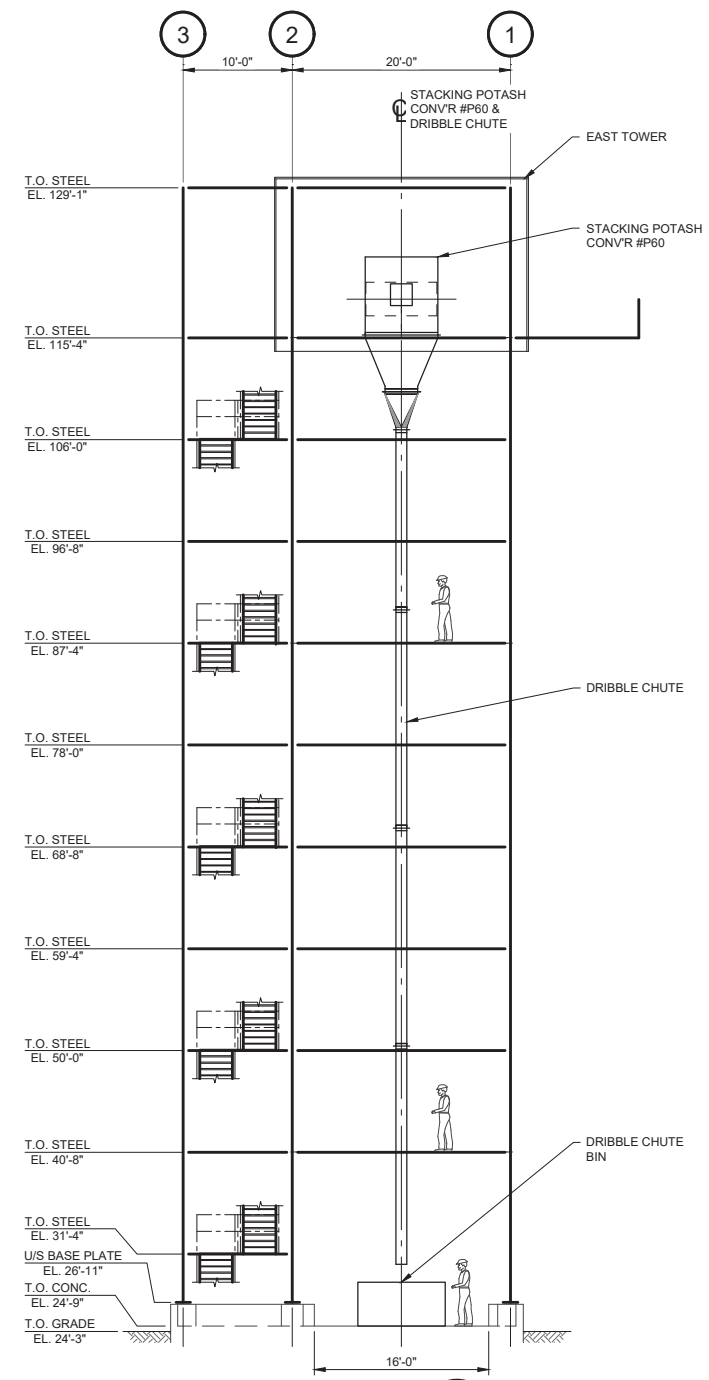
**NEW CARGO STUDY
 DUMPER
 GENERAL ARRANGEMENT - SHT.3**

81330-D0000-0003 **P3**

New Potash Storage Building



SECTION A
1/8"=1'-0" REF.1



SECTION B
1/8"=1'-0" REF.1

FOR PERMIT
PRELIMINARY
NOT FOR CONSTRUCTION

REF.	DWG. NUMBER	DESCRIPTION	No.	YYYY-MM-DD	DESCRIPTION	DRAWN	DWG. CHECK	DESIGN	DESIGN CHECK	DISC. APPROVAL	PROJ. APPROVAL
			P4	2020-12-15	ISSUED FOR USE - STAGE 2 STUDY	JRM		JRM		PMD	AJK
			P3	2020-11-13	ISSUED FOR REVIEW	JRM		JRM		PMD	AJK
			P2	2020-10-15	ISSUED FOR REVIEW	JRM		JRM		PMD	AJK
1	85370-D0100-0000	STORAGE BUILDING EAST TOWER - GENERAL ARR'GT - PLANS	P1	2020-07-03	ISSUED FOR STAGE 1 REVIEW	JRM		JRM		PMD	AJK
		REFERENCE DRAWINGS / DESIGN STANDARDS			ISSUES / REVISIONS						



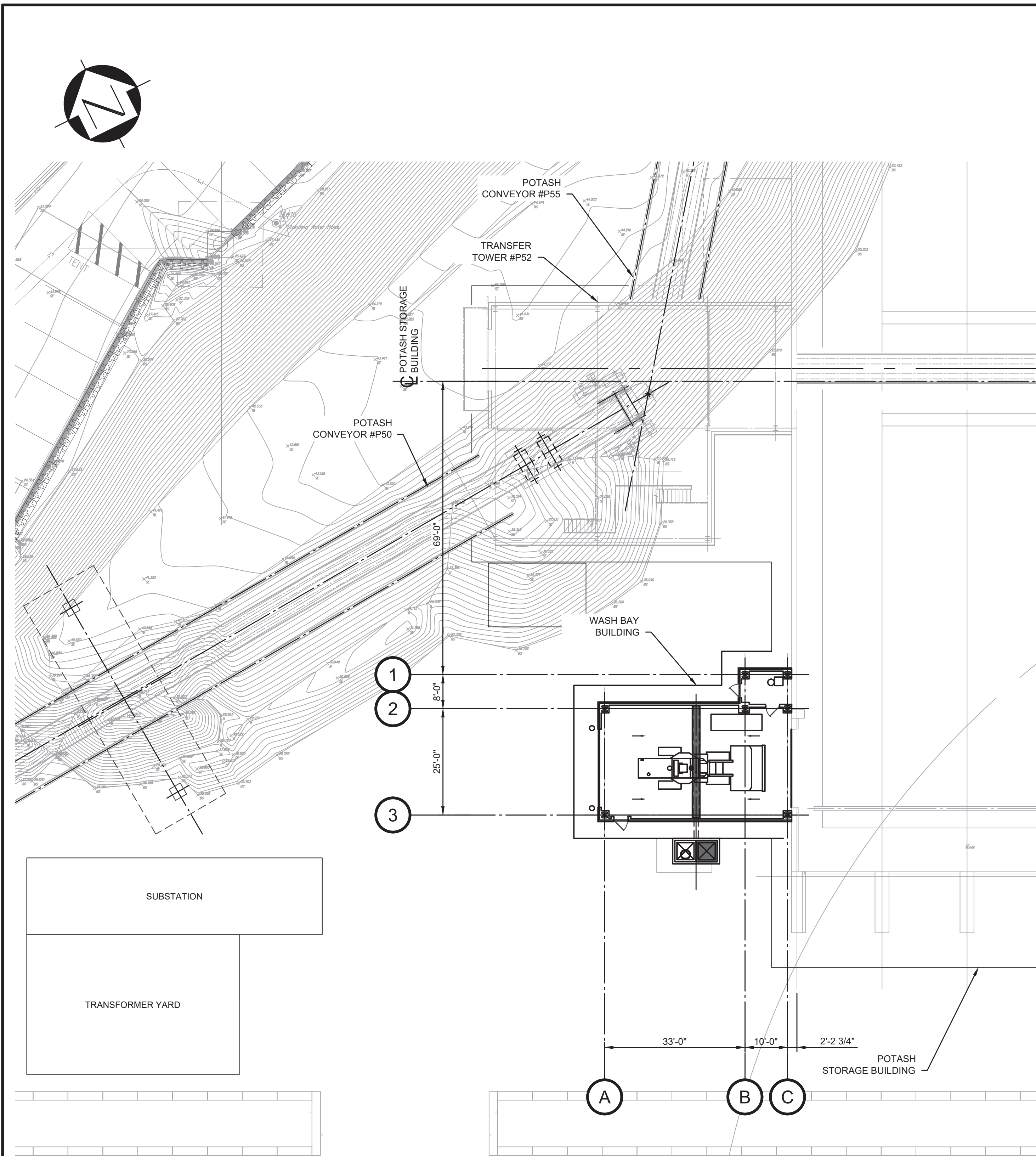
CWA PROJECT NUMBER: 19899

NEW CARGO STUDY
STORAGE BUILDING EAST TOWER
GENERAL ARR'GT - SECTIONS

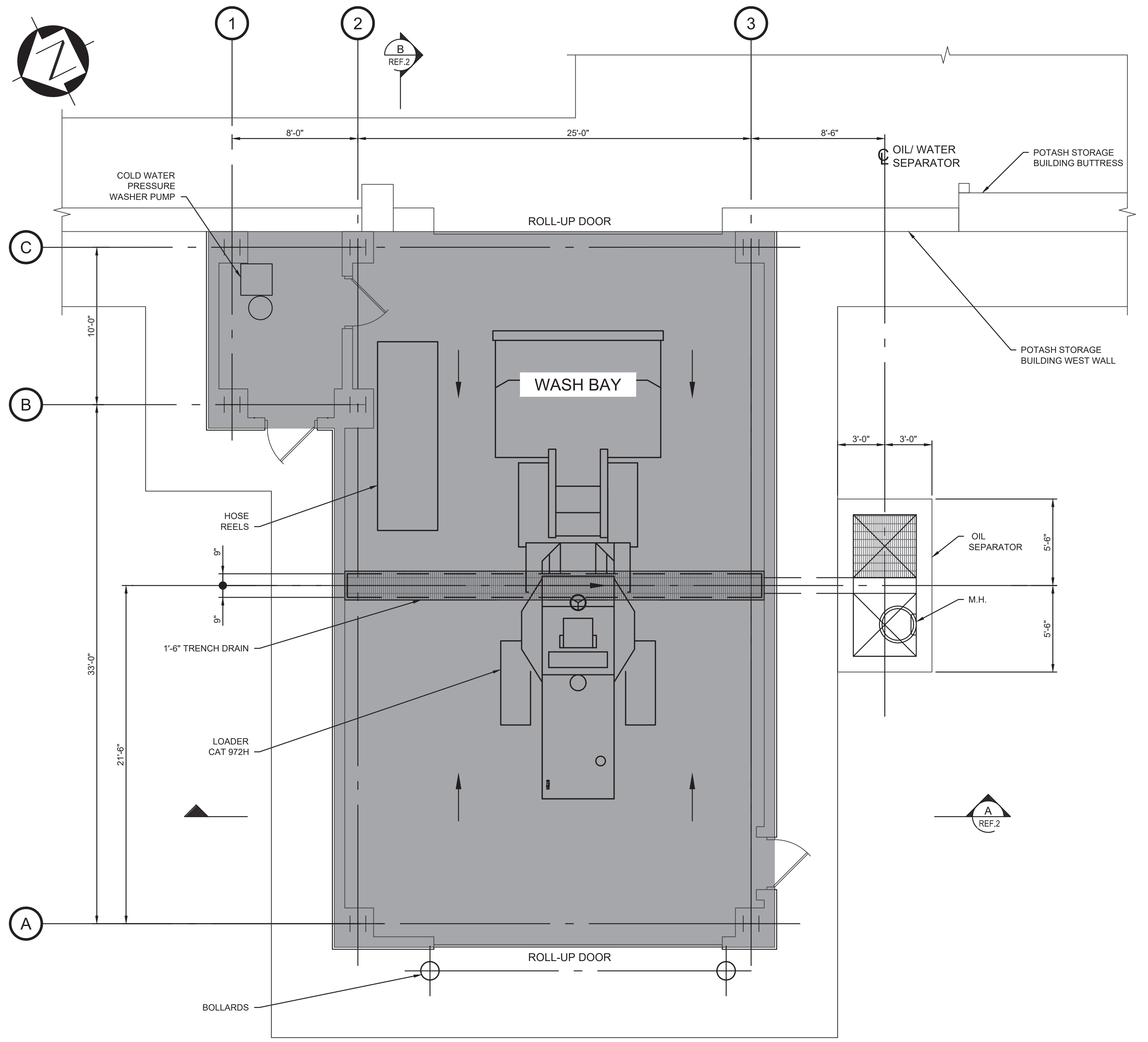
This drawing has been prepared by CWA Engineers Inc. as an instrument of service and is the exclusive property of CWA. This drawing shall be used solely for the purpose of this project. The client agrees that this drawing shall not be used for purposes other than those intended, and shall hold the engineer harmless for any other such use.

85370-D0100-0001

P4



PLAN
1/16" = 1'-0"

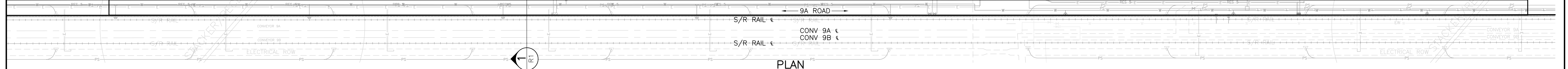
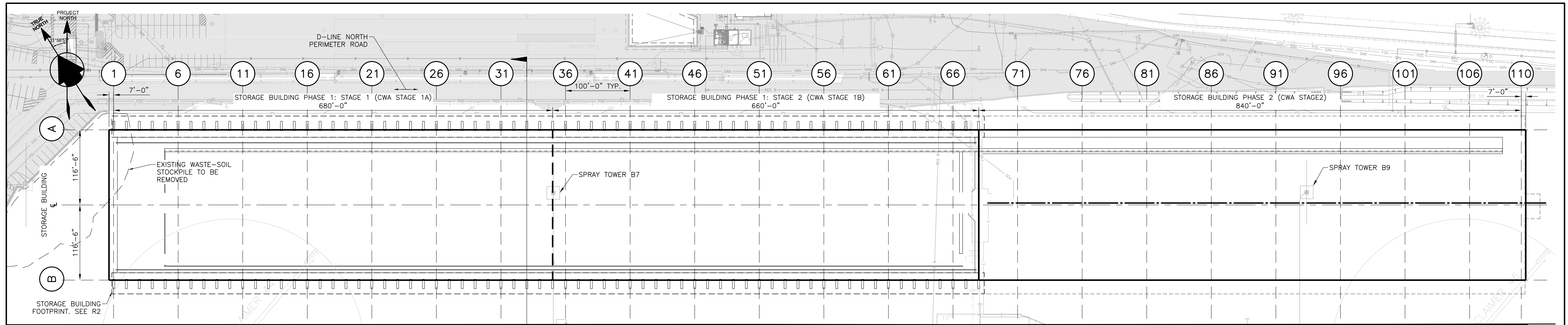


WASH BAY BUILDING PLAN
1/4" = 1'-0"

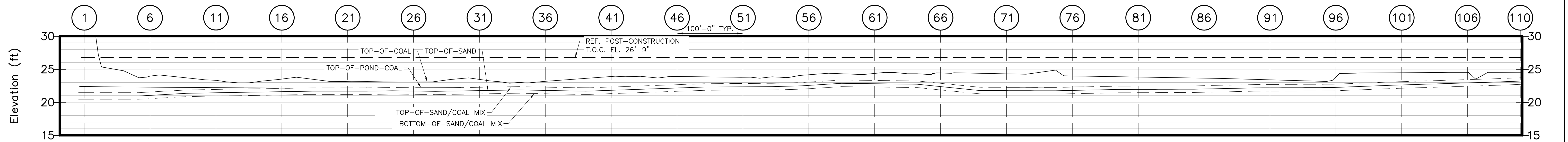
FOR PERMIT
PRELIMINARY
NOT FOR CONSTRUCTION

REF.	DWG. NUMBER	DESCRIPTION	No.	YYYY-MM-DD	DESCRIPTION	ISSUES / REVISIONS	DRAWN	DWG. CHECK	DESIGN	DESIGN CHECK	DISC. APPROVAL	PROJ. APPROVAL
3	85410-D0010-0110	NEW CARGO STUDY - WASH BAY BUILDING - FOUNDATION PLAN	P3	2020-12-15	ISSUED FOR USE - STAGE 2 STUDY		ABN	-	-	-	PMD	AJK
2	85410-D0015-0002	NEW CARGO STUDY - WASH BAY BUILDING - ELEVATIONS & SECTIONS	P2	2020-11-27	ISSUED FOR REVIEW		ABN	-	-	-	PMD	AJK
1	40101-D0000-0000	NEW CARGO STUDY - SITE PLAN	P1	2020-10-07	ISSUED FOR REVIEW		ABN	-	-	-	PMD	AJK

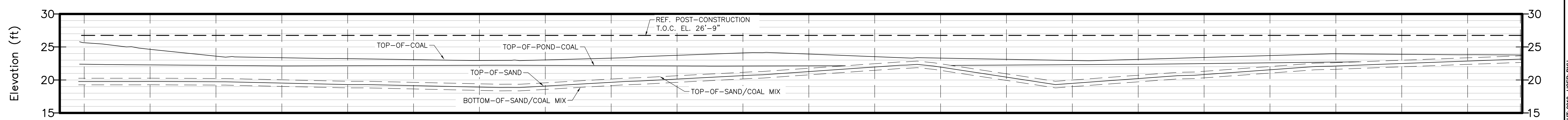
	 CWA PROJECT NUMBER: 19899
	NEW CARGO STUDY WASH BAY BUILDING PLAN 85410-D0015-0001
<small>This drawing has been prepared by CWA Engineers Inc. as an instrument of service and is the exclusive property of CWA. This drawing shall be used solely for the purpose of this project. The client agrees that this drawing shall not be used for purposes other than those intended, and shall hold the engineer harmless for any other such use.</small>	P3
<small>DRAWN BY: ABN SCALE: AS NOTED ACAD FILENAME: 85410-D0015-0001 TO 0002</small>	<small>REV.</small>



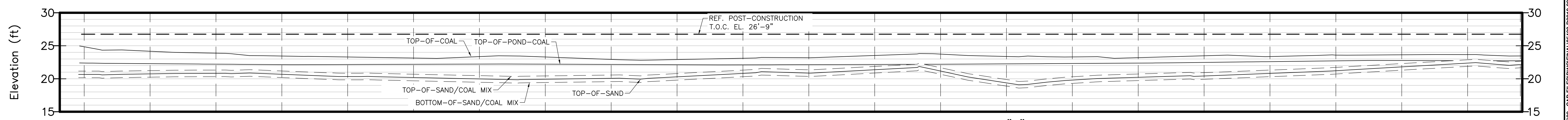
PLAN
SCALE: 1"=75'



PROFILE - EXISTING STRATA - BAYLINE "A"
SCALE: H: 1"=75', V: 1"=7.5'



PROFILE - EXISTING STRATA - BUILDING C
SCALE: H: 1"=75', V: 1"=7.5'



PROFILE - EXISTING STRATA - BAYLINE "B"
SCALE: H: 1"=75', V: 1"=7.5'

Ref.	Document Number	Description
R2	40101-D0000-0000	
R1	85400-D0010-0012	

No	Date	Revision Description	Drawn	Drawing Check	Design	Design Check	Disc. Approval	Proj. Approval
P7	21/06/01	ISSUED FOR USE - NEW CARGO STUDY	DY	MS	MS	CV		
P6	21/04/23	ISSUED FOR REVIEW	DY	MS	MS	CV		
P5	20/12/18	ISSUED FOR USE - STAGE 2 STUDY	DY	MS	MS	CV		
P4	20/10/30	ISSUED FOR REVIEW	DY	MS	MS	CV		
P3	20/07/14	ISSUED FOR REVIEW	DY	MS	MS	CV		
P2	20/05/27	ISSUED FOR REVIEW	DY	MS	MS	CV		
P1	20/05/22	ISSUED FOR REVIEW	DY	MS	MS	CV		

STAMP

--	--	--	--	--	--	--	--	--

Client **Westshore Terminals LP**

CONSULTANT **BINNIE**
The people behind your infrastructure.
R.F. BINNIE & ASSOCIATES LTD.
300 - 4940 Canada Way,
Burnaby, BC V5G 4K6
TEL 604 420 1721
BINNIE.com

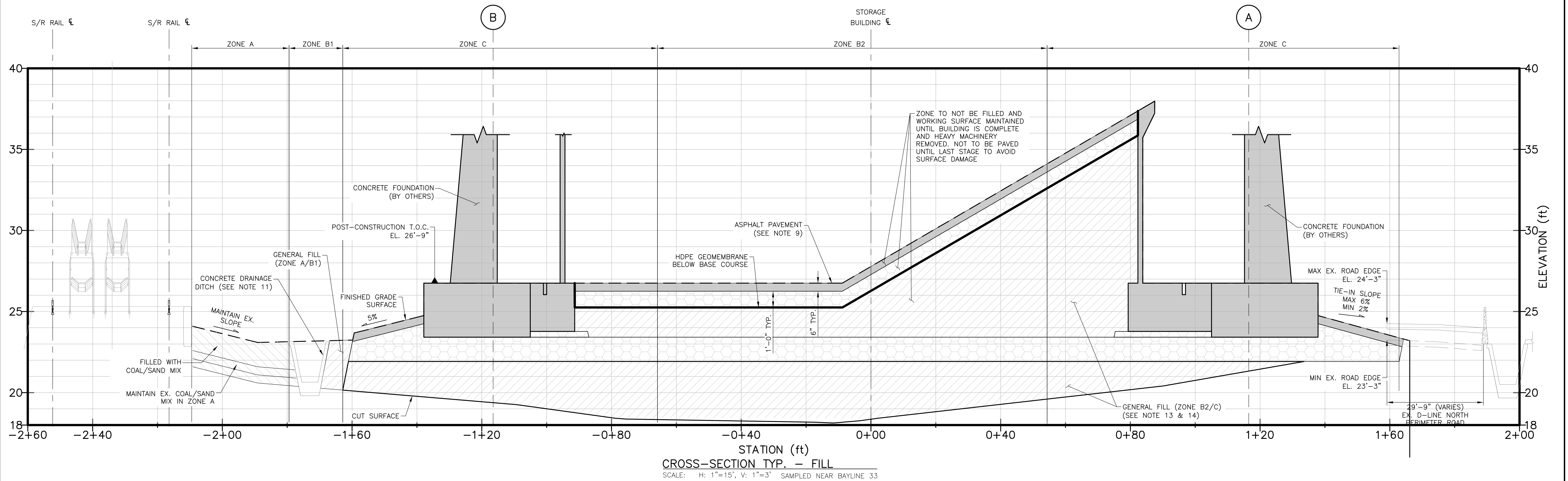
FOR PERMIT PRELIMINARY

Proj Title: **NEW CARGO STUDY**

Dwg Title: **EARTHWORKS STORAGE BUILDING AREA EXISTING PLAN & PROFILE**

Drawing Number: **85400-D0010-0010** Plot Scale: **AS NOTED** Rev: **P7**

FILE: P:\2018\1810-002500 - CAD FILES\DWG\FINAL\85400-D0010-0010.DWG LAYOUT: 0010 USER: DYU PLOTTED: 2021-06-21 2:07:24 PM



NOTES:

- 1) ELEVATIONS OF "TOP-OF-COAL" AND "TOP-OF-SAND" MEASURED BY BINNIE GPS SURVEY DURING TEST EXCAVATIONS (MAY 2020)
- 2) ELEVATIONS OF "TOP-OF-POND-COAL" CALCULATED BASED ON S/R'S MAXIMUM OPERATING LUFF ANGLE
- 3) ELEVATIONS OF "TOP-OF-SAND/COAL MIX" AND "BOTTOM-OF-SAND/COAL MIX" WERE VERTICALLY OFFSET FROM "TOP-OF-SAND" MIX BASED ON OBSERVATIONS DURING TEST EXCAVATIONS
- 4) STORAGE BUILDING LAYOUT AS PER CWA'S DRAWING 40101-D0000-0000. DATED ON 2020/11/13
- 5) STORAGE BUILDING CROSS SECTION AS PER CWA'S DRAWING 85400-D0010-0116. DATED 2020/10/30
- 6) DENSIFICATION LIMITS AS PER CWA'S DRAWING 85400-D0010-0050. DATED 2020/10/30
- 7) SEE PLAN DWG FOR APPROXIMATE FOOTPRINT OF WASTE-SOIL STOCKPILE. IT IS ASSUMED THAT WASTE-SOIL STOCKPILE WILL BE REMOVED TO AN AVERAGE ELEVATION OF 24'-0"
- 8) GRANULAR FILL IS SLOPED AT 1:1 U.N.O.
- 9) ASPHALT REMOVALS/PAVING, SEE PAVEMENT DRAWING 88305-D0006-0020.
- 10) TOP COAL WAS CALCULATED BASED ON THE "TOP-OF-COAL" LEVEL THAT WAS SURVEYED BY BINNIE IN MAY 2020. ACTUAL VOLUMES MAY VARY DEPENDING ON THE STOCKPILE LEVELS AT ANY ONE TIME
- 11) FOR EXISTING UTILITIES, SEE DRAWING 88200-D0007-1110 TO 88200-D0007-1116. FOR PROPOSED UTILITIES, SEE DRAWING 88200-D0007-1210 TO 88200-D0007-1216.
- 12) ANY CLEAN, NATIVE SAND THAT REQUIRES INCIDENTAL EXCAVATION UNDERNEATH THE STORAGE BUILDING MAY BE RE-USED AS GENERAL FILL. HOWEVER, NO VOLUME ALLOWANCE HAS BEEN MADE FOR THIS MATERIAL.
- 13) GENERAL FILL IS ASSUMED TO CONSIST OF PRELOAD SAND (RIVER SAND). ONCE PRELOAD IS COMPLETE, "GENERAL FILL (ZONE B2/C) BOTTOM COURSE" MAY BE LEFT IN PLACE AND COMPACTED IF REQUIRED. "GENERAL FILL (ZONE B2/C) TOP COURSE" MAY BE STRIPPED AND TEMPORARILY STOCKPILED TO ALLOW FOR OTHER WORKS, INCLUDING FOUNDATION WORKS. ONCE THESE OTHER WORKS ARE COMPLETE, THE TOP COURSE IS TO BE REPLACED AND COMPACTED.
- 14) "GENERAL FILL (ZONE B2/C) BOTTOM COURSE" INCLUDES AN ALLOWANCE FOR SETTLEMENT VOLUME DURING PRELOAD (AKA SACRIFICIAL SAND). THIS SETTLEMENT VOLUME IS BASED ON BRAUN GEOTECHNICAL'S ESTIMATES FROM 2021-04-09
- 15) ABBREVIATIONS
 - EW1-1 = EARTHWORKS PHASE 1: STAGE 1 (CWA STAGE 1A)
 - EW1-2 = EARTHWORKS PHASE 1: STAGE 2 (CWA STAGE 1B)
 - EW2 = EARTHWORKS PHASE 2 (CWA STAGE 2)

STORAGE BUILDING - CUT/FILL VOLUMES - TABLE 2								
PAY ITEM	LEGEND	CUT/FILL	ACTION	STORAGE BUILDING	STORAGE BUILDING	STORAGE BUILDING	OTHER AREAS	TOTAL
				EW1-1 (SUB-AREA C)	EW1-2 (SUB-AREA D)	EW2 (SUB-AREA E)		
GENERAL FILL (ZONE A/B1)		FILL	IMPORT	12,400	13,200	16,000	-	41,600
GENERAL FILL (ZONE B2/C TOP COURSE)		FILL	IMPORT	497,900	506,100	662,300	-	1,666,300
GENERAL FILL (ZONE B2/C BOTTOM COURSE)		FILL	IMPORT	637,800	454,400	523,500	-	1,615,700
GRANULAR BASE		FILL	IMPORT	466,500	453,000	576,600	261,000	1,757,100

• CUT/FILL VOLUMES IN TABLE ONLY ACCOUNT FOR NET TOTAL VOLUMES WITHIN THE DESIGNATED SUB-AREAS. REFER TO EARTHWORKS DRAWING '85400-D0010-0026' FOR LAYOUT OF EACH AREA.
 • FOR EARTHWORKS CONSTRUCTION SEQUENCING, REFER TO EARTHWORKS DRAWINGS "85400-D0010-0020" THRU "-0026"

Ref.	Document Number	Description	No	Date	Revision Description	Drawn	Drawing Check	Design	Design Check	Disc. Approval	Proj. Approval
			P8	21/06/01	ISSUED FOR USE - NEW CARGO STUDY	DY	MS	MS	CV		
			P7	21/04/23	ISSUED FOR REVIEW	DY	MS	MS	CV		

Client **Westshore Terminals LP**

CONSULTANT **BINNIE**
The people behind your infrastructure.
R.F. BINNIE & ASSOCIATES LTD.
300 - 4940 Canada Way,
Burnaby, BC V5G 4K6
TEL 604 420 1721
BINNIE.COM

FOR PERMIT PRELIMINARY

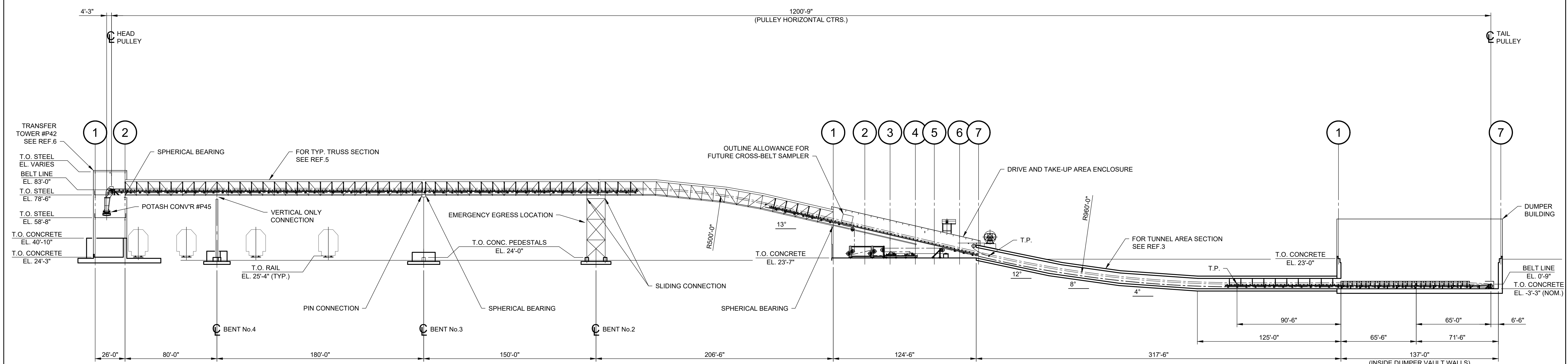
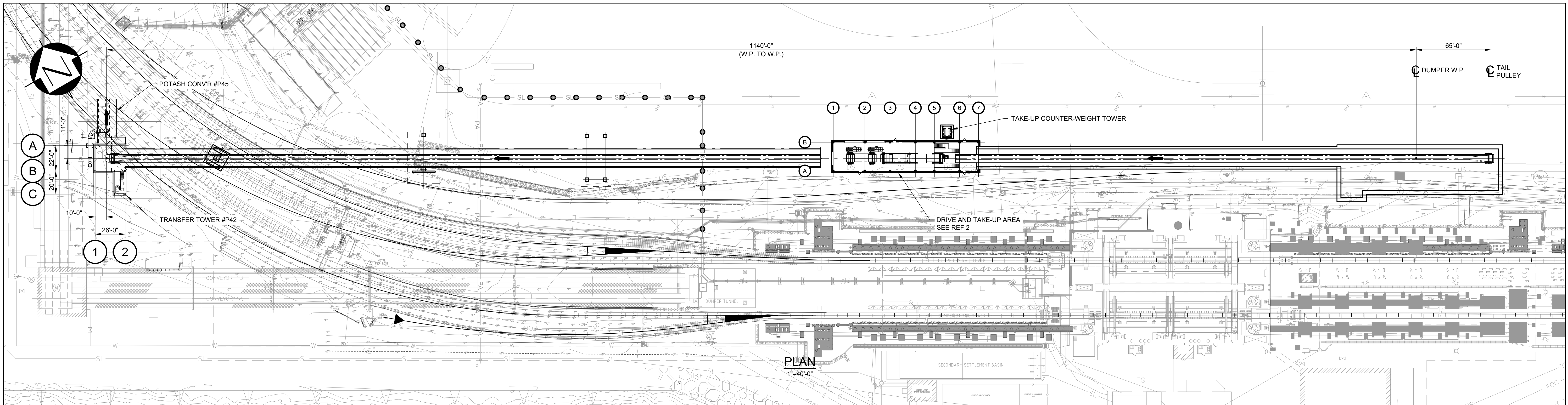
Proj Title **NEW CARGO STUDY**

Dwg Title **EARTHWORKS STORAGE BUILDING AREA FILL VOLUMES**

Drawing Number **85400-D0010-0014** Plot Scale AS NOTED Rev **P8**

FILE: P:\2018\181092500 - CAD FILES\DWG\FINAL\85400-D0010-0010.DWG LAYOUT: 0014 USER: DYU PLOTTED: 2021-06-02 08:13:05 AM

Conveyors and Transfer Towers



ELEVATION
1"=40'-0"

NOTES:

- ALL DIMENSIONS ARE IN FEET-INCHES.
- ELEVATIONS ARE IN FEET-INCHES FROM MSL.
- EXISTING UTILITIES SHOWN. SEE DRAWING 88200-D007-1210 FOR RELOCATED, REMOVED AND NEW UTILITIES.

PRELIMINARY
NOT FOR CONSTRUCTION

REF.	DWG. NUMBER	DESCRIPTION	No.	YYYY-MM-DD	DESCRIPTION	DRAWN	DWG. CHECK	DESIGN	DESIGN CHECK	DISC. APPROVAL	PROJ. APPROVAL
6	85342-D0100-0000 & 0001	TRANSFER TOWER #P42 - GENERAL ARRANGEMENT - PLANS - SHT. 1 & 2	P6	2021-06-11	RE-ISSUED FOR USE - BENT No.4 RELOCATED	SJM				PMD	AJK
5	40101-D0020-0001	TYPICAL GALLERY SECTION FOR 72" WIDE BELTS	P5	2020-12-15	ISSUED FOR USE - STAGE 2 STUDY	SJM		SJM		PMD	AJK
4	85340-D0100-0010	POTASH CONVEYOR #P40 - DATA SHEET	P4	2020-11-13	ISSUED FOR REVIEW	SJM		SJM		PMD	AJK
3	85340-D0100-0009	POTASH CONVEYOR #P40 - SECTION THRU TUNNEL	P3	2020-10-30	ISSUED FOR REVIEW	SJM		SJM		PMD	AJK
2	85340-D0100-0003	POTASH CONVEYOR #P40 - DRIVE AND TAKE-UP AREA - PLAN	P2	2020-07-03	ISSUED FOR STAGE 1 REVIEW	SJM		SJM		PMD	AJK
1	40101-D0000-0000	SITE PLAN	P1	2020-05-22	ISSUED FOR REVIEW	SJM		SJM		PMD	AJK
REF.	DWG. NUMBER	DESCRIPTION	No.	YYYY-MM-DD	DESCRIPTION	DRAWN	DWG. CHECK	DESIGN	DESIGN CHECK	DISC. APPROVAL	PROJ. APPROVAL
		REFERENCE DRAWINGS / DESIGN STANDARDS			ISSUES / REVISIONS						

FOR PERMIT

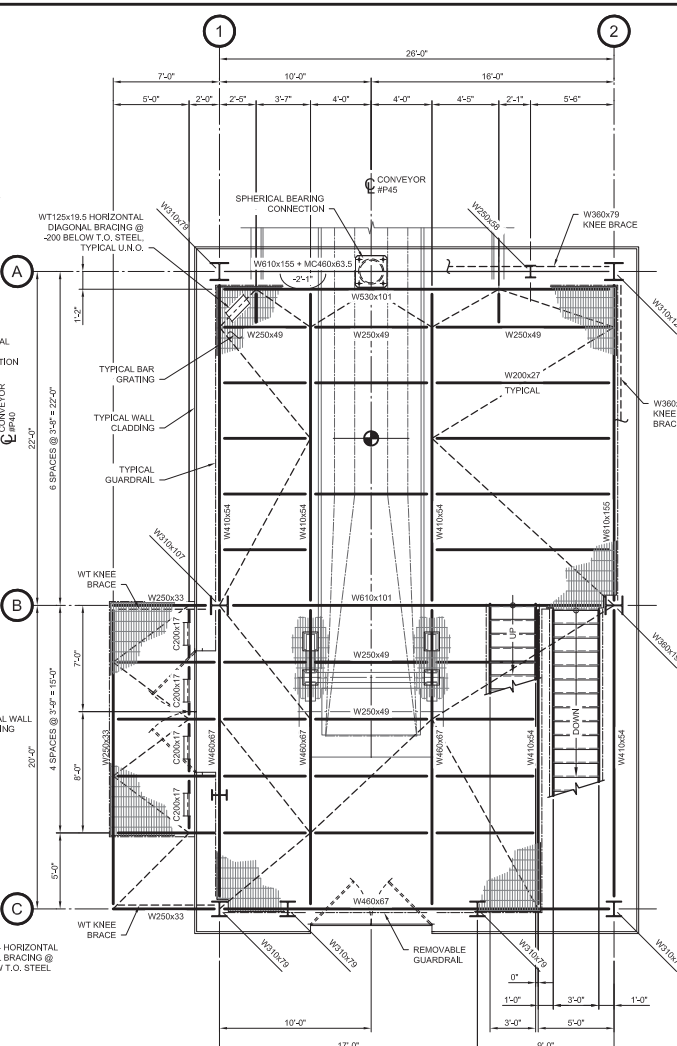
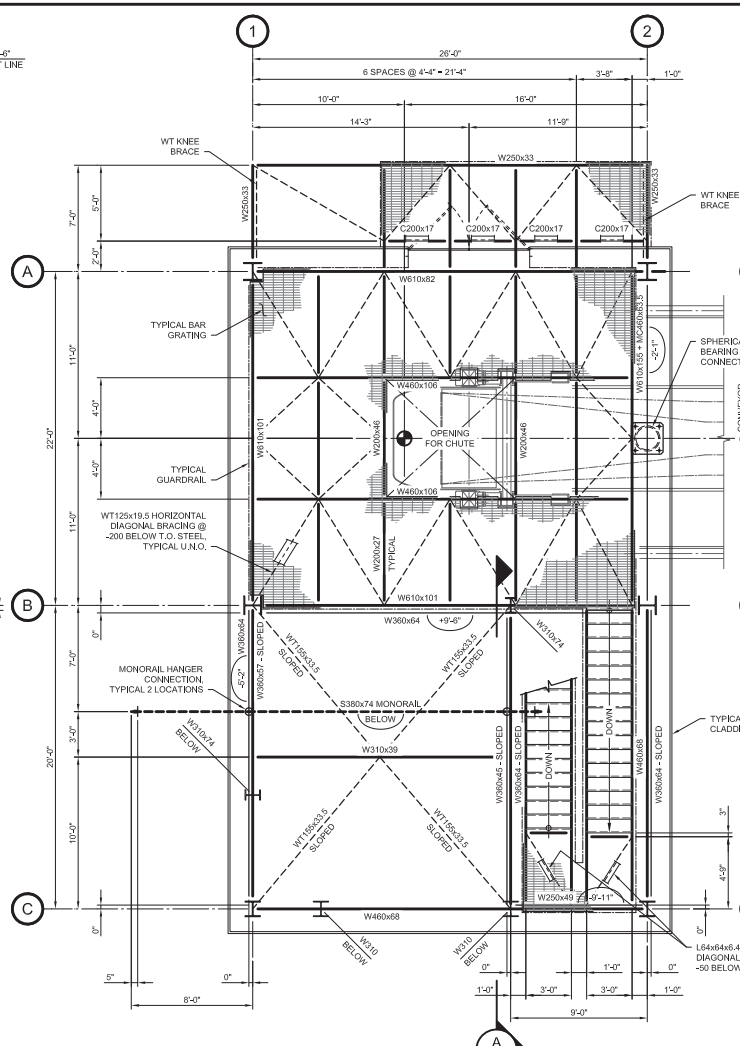
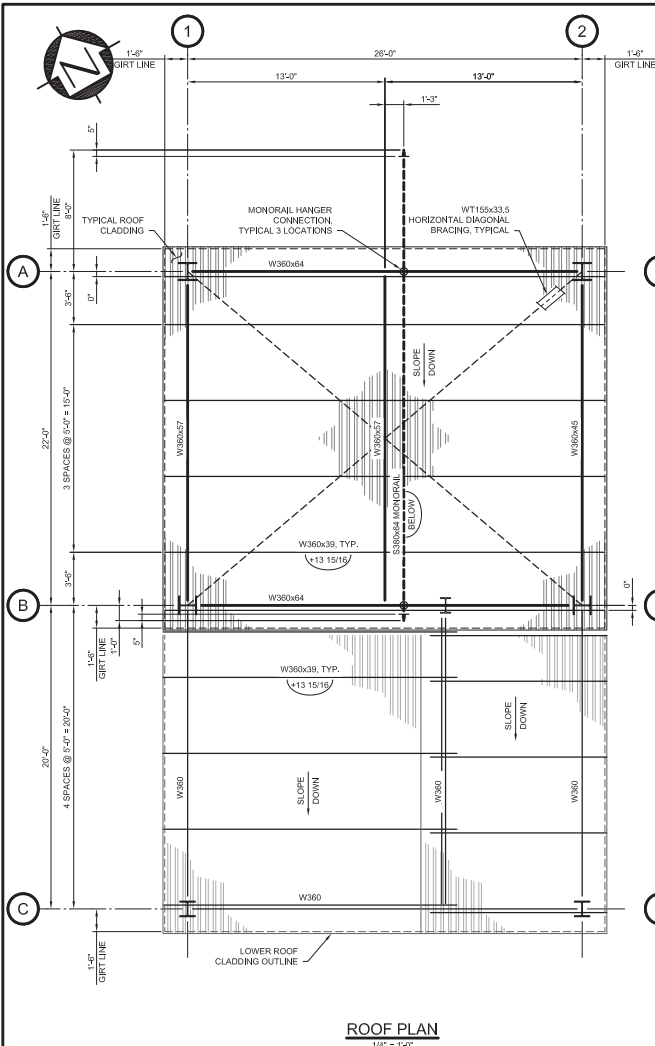


WestshoreTerminals
CWA PROJECT NUMBER: 19899

This drawing has been prepared by CWA Engineers Inc. as an instrument of service and is the exclusive property of CWA. This drawing shall be used solely for the purpose of this project. The client agrees that this drawing shall not be used for purposes other than those intended, and shall hold the engineer harmless for any other such use.

NEW CARGO STUDY
POTASH CONVEYOR #P40
GENERAL ARRANGEMENT

85340-D0100-0000 | **P6**

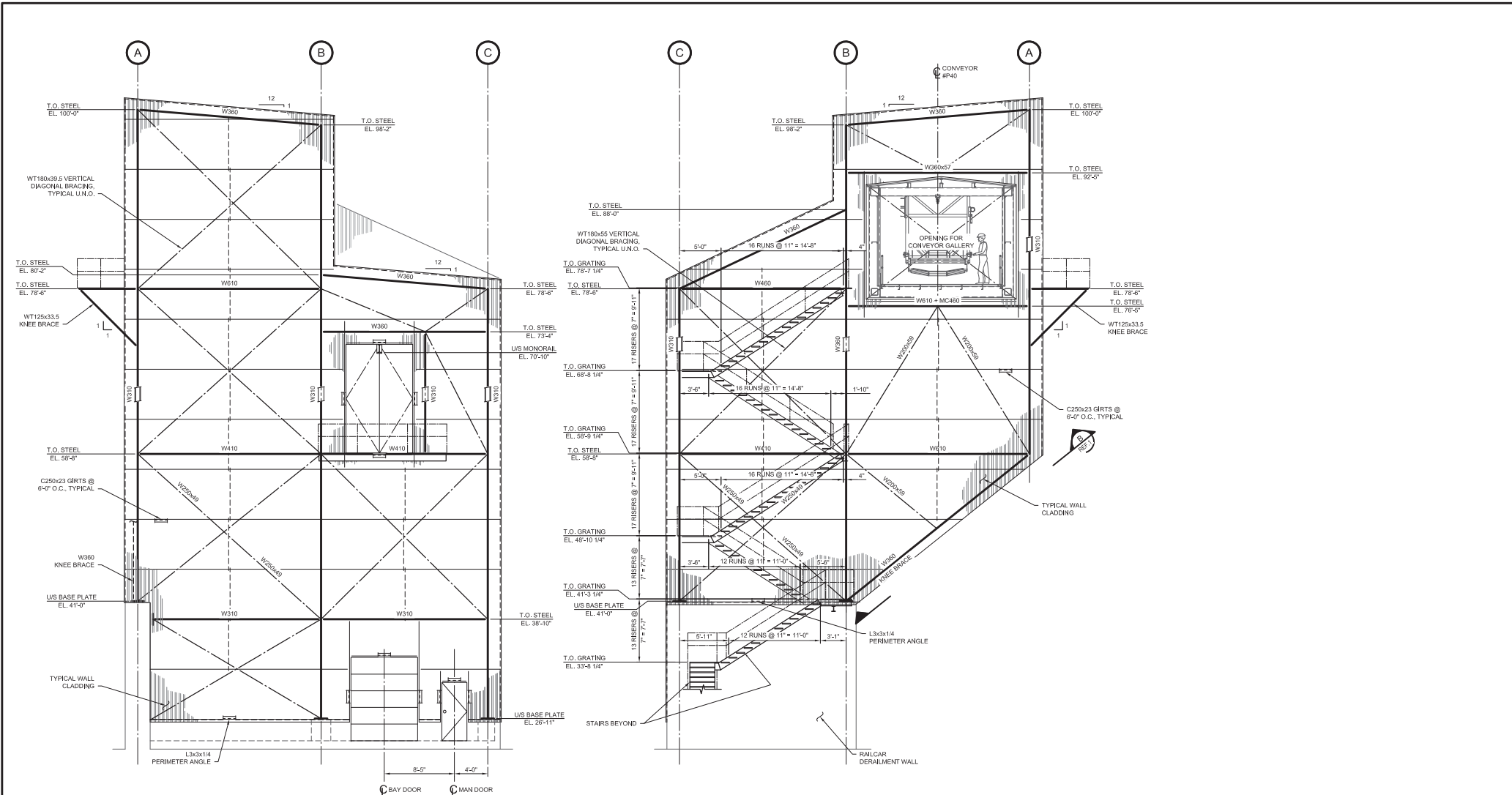


FOR PERMIT **PRELIMINARY**
NOT FOR CONSTRUCTION

REF.	DWG. NUMBER	DESCRIPTION	No.	YYYY-MM-DD	ISSUES / REVISIONS	DRAWN	DWG. CHECK	DESIGN	DESIGN CHECK	DISC. APPROVAL	PROJ. APPROVAL	DRAWN BY: CPL	SCALE: AS NOTED	ACAD FILENAME: 85342-D0120-0100	REV.
1	85342-D0120-0112	NEW CARGO STUDY - TRANSFER TOWER #P42 - STEEL SECTIONS - SHEET 1	P3	2020-12-15	ISSUED FOR USE - STAGE 2 STUDY	CPL	-	DJC	-	AMG	AJK				P3
			P2	2020-11-20	ISSUED FOR REVIEW	CPL		DJC		AMG	AJK				
			P1	2020-10-30	ISSUED FOR REVIEW	CPL		DJC		AMG	AJK				

CWA
Westshore Terminals
CWA PROJECT NUMBER: 19899
NEW CARGO STUDY
TRANSFER TOWER #P42
STEEL PLANS - SHEET 1
85342-D0120-0100

This drawing has been prepared by CWA Engineers Inc. as an instrument of service and is the exclusive property of CWA. This drawing shall be used solely for the purpose of the project. The client agrees that this drawing shall not be used for purposes other than those intended, and shall hold the engineer harmless for any other such uses.



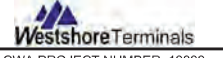
ELEVATION - BAYLINE '1'
3/16" = 1'-0"

ELEVATION - BAYLINE '2'
3/16" = 1'-0"

FOR PERMIT

PRELIMINARY
NOT FOR CONSTRUCTION

REF.		DWG. NUMBER	DESCRIPTION	No.	YYYY-MM-DD	ISSUES / REVISIONS	DRAWN	DWG. CHECK	DESIGN	DESIGN CHECK	DISC. APPROVAL	PROJ. APPROVAL
1		85342-D0120-0112	NEW CARGO STUDY - TRANSFER TOWER #P42 - STEEL SECTIONS - SHEET 1	P1	2020-10-30	ISSUED FOR REVIEW	CPL	DJC	AMG	AJK		
				P2	2020-11-20	ISSUED FOR REVIEW	CPL	DJC	AMG	AJK		
				P3	2020-12-15	ISSUED FOR USE - STAGE 2 STUDY	CPL	DJC	AMG	AJK		



CWA PROJECT NUMBER: 19899

NEW CARGO STUDY
TRANSFER TOWER #P42
STEEL ELEVATIONS - SHEET 2

This drawing has been prepared by CWA Engineers Inc. as an Instrument of service and is the exclusive property of CWA. This drawing shall be used solely for the purpose of the project. The client agrees that this drawing shall not be used for purposes other than those intended, and shall hold the engineer harmless for any other such uses.

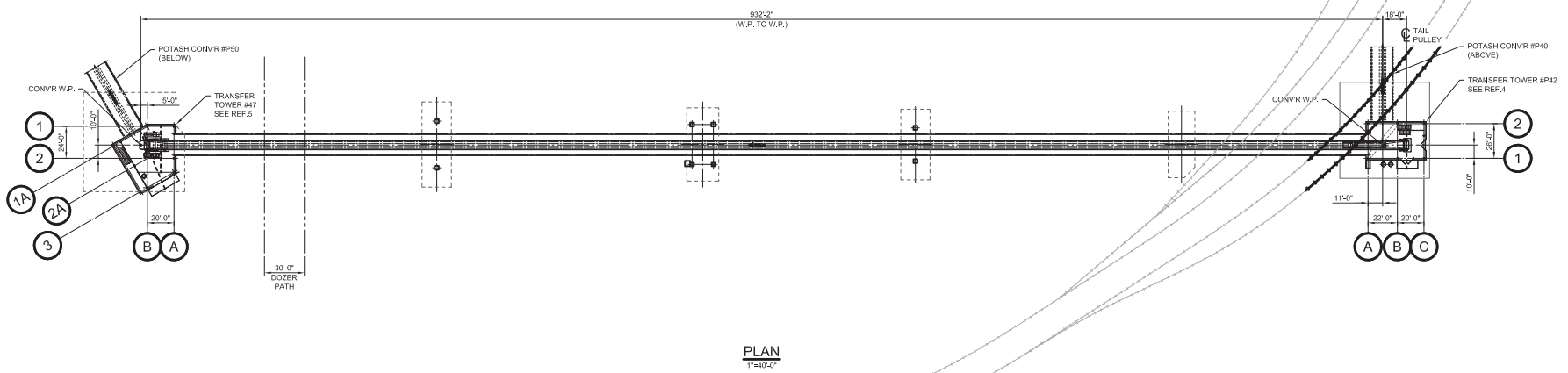
85342-D0120-0111

P3

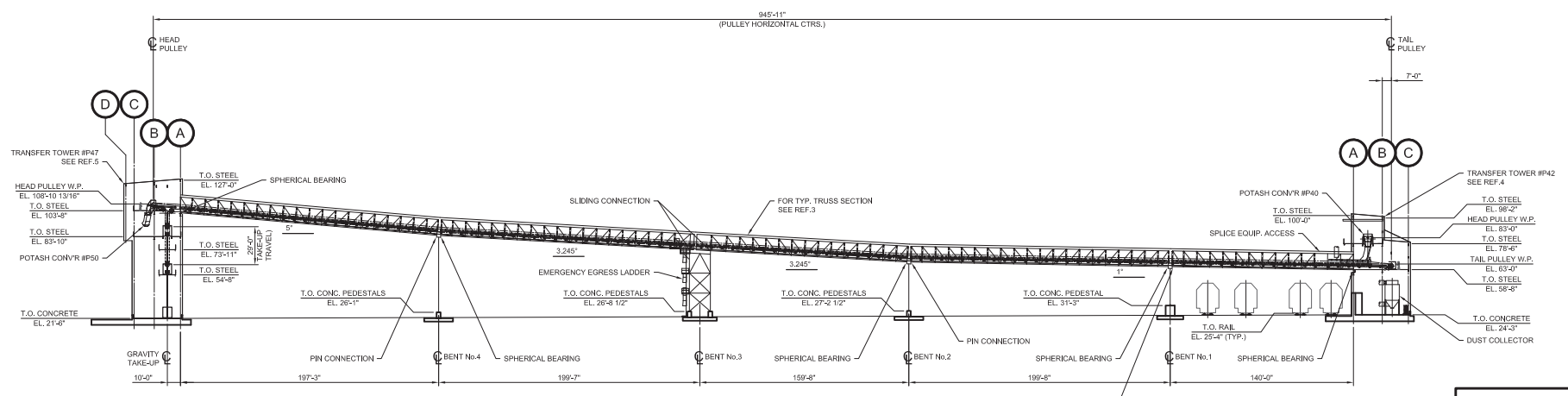
SCALE: AS NOTED	ACAD FILENAME: 85342-D0120-0100	DRAWN BY: CPL	REV:
-----------------	---------------------------------	---------------	------



- NOTES:**
1. ALL DIMENSIONS ARE IN FEET-INCHES.
 2. ELEVATIONS ARE IN FEET-INCHES FROM MSL.
 3. EXISTING UTILITIES SHOWN, SEE DRAWING 88200-D007-1210 FOR RELOCATED, REMOVED AND NEW UTILITIES.



PLAN
1"=40'-0"



ELEVATION
1"=40'-0"

FOR PERMIT

**PRELIMINARY
NOT FOR CONSTRUCTION**

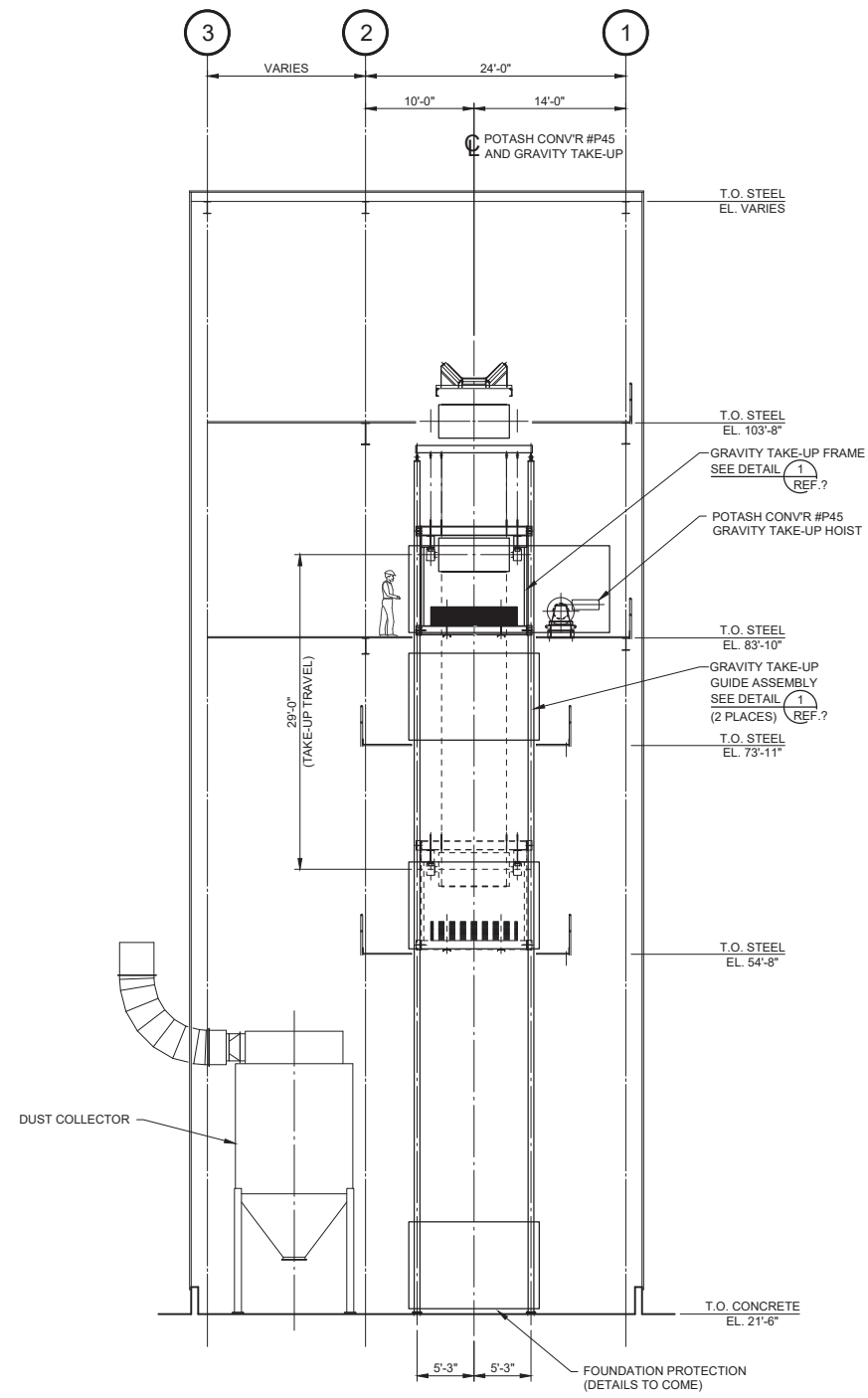
REF.	DWG. NUMBER	DESCRIPTION	No.	YYYY-MM-DD	DESCRIPTION	DRAWN	DWG. CHECK	DESIGN	DESIGN CHECK	DISC. APPROVAL	PROJ. APPROVAL	DRAWN BY: SJM	SCALE: AS NOTED	ACAD FILENAME: 85345-D0100-0000	REV.
5	85347-D0100-0000 TO 0002	TRANSFER TOWER #P47 - GENERAL ARRANGEMENT - PLANS - SHT.1 TO 3	P5	2020-12-15	ISSUED FOR USE - STAGE 2 STUDY	SJM		SJM		PMD	AJK				
4	85342-D0100-0000 & 0001	TRANSFER TOWER #P42 - GENERAL ARRANGEMENT - PLANS - SHT.1 & 2	P4	2020-11-20	ISSUED FOR REVIEW	SJM		SJM		PMD	AJK				
3	40101-D0020-0001	TYPICAL GALLERY SECTION FOR 72" WIDE BELTS	P3	2020-10-15	ISSUED FOR REVIEW	SJM		SJM		PMD	AJK				
2	85345-D0100-0010	POTASH CONVEYOR #P45 - DATA SHEET	P2	2020-07-03	ISSUED FOR STAGE 1 REVIEW	SJM		SJM		PMD	AJK				
1	40101-D0000-0000	SITE PLAN	P1	2020-05-22	ISSUED FOR REVIEW	SJM		SJM		PMD	AJK				
REF. DWG. NUMBER		DESCRIPTION	No.	YYYY-MM-DD	DESCRIPTION	DRAWN	DWG. CHECK	DESIGN	DESIGN CHECK	DISC. APPROVAL	PROJ. APPROVAL	DRAWN BY: SJM	SCALE: AS NOTED	ACAD FILENAME: 85345-D0100-0000	REV.
		REFERENCE DRAWINGS / DESIGN STANDARDS			ISSUES / REVISIONS										



CWA PROJECT NUMBER: 19899
**NEW CARGO STUDY
 POTASH CONVEYOR #P45
 GENERAL ARRANGEMENT**

This drawing has been prepared by CWA Engineers Inc. as an instrument of service and is the exclusive property of CWA. This drawing shall be used solely for the purpose of the project. The client agrees that this drawing shall not be used for purposes other than those intended, and shall hold the engineer harmless for any other such use.

85345-D0100-0000 P5



SECTION A
SCALE 1/8"=1'-0"
REF. 1 TO 3

FOR PERMIT
PRELIMINARY
NOT FOR CONSTRUCTION

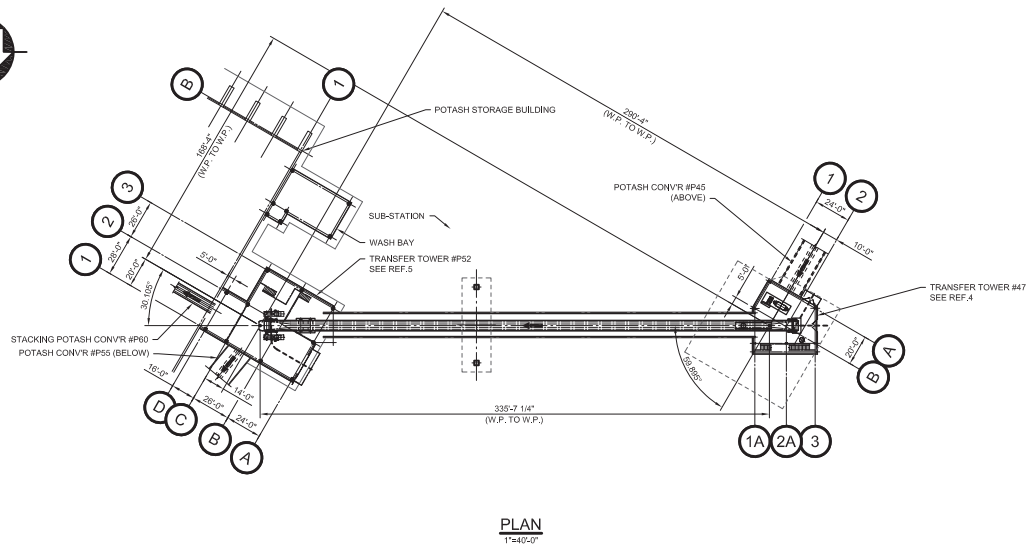
REF.	DWG. NUMBER	DESCRIPTION	No.	YYYY-MM-DD	DESCRIPTION	DRAWN	DWG. CHECK	DESIGN	DESIGN CHECK	DISC. APPROVAL	PROJ. APPROVAL
		REFERENCE DRAWINGS / DESIGN STANDARDS			ISSUES / REVISIONS						
3	85347-D0100-0002	TRANSFER TOWER #P47 - G.A. - PLANS - SHT.3	P4	2020-12-15	ISSUED FOR USE - STAGE 2 STUDY	SJM		SJM		PMD	AJK
2	85347-D0100-0001	TRANSFER TOWER #P47 - G.A. - PLANS - SHT.2	P3	2020-11-20	ISSUED FOR REVIEW	SJM		SJM		PMD	AJK
1	85347-D0100-0000	TRANSFER TOWER #P47 - G.A. - PLANS - SHT.1	P2	2020-10-15	ISSUED FOR REVIEW	SJM		SJM		PMD	AJK
			P1	2020-07-03	ISSUED FOR STAGE 1 REVIEW	SJM		SJM		PMD	AJK



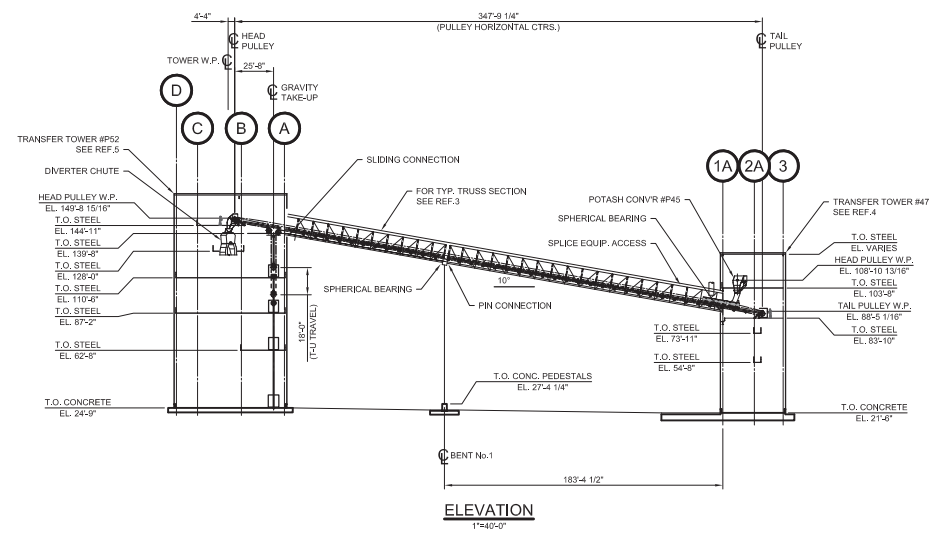
This drawing has been prepared by CWA Engineers Inc. as an instrument of service and is the exclusive property of CWA. This drawing shall be used solely for the purpose of this project. The client agrees that this drawing shall not be used for purposes other than those intended, and shall hold the engineer harmless for any other such use.

NEW CARGO STUDY
TRANSFER TOWER #P47
GENERAL ARR'G'T - SECTIONS

85347-D0100-0010 P4



- NOTES:**
1. ALL DIMENSIONS ARE IN FEET-INCHES.
 2. ELEVATIONS ARE IN FEET-INCHES FROM MSL.
 3. EXISTING UTILITIES SHOWN, SEE DRAWING 88200-D007-1210 FOR RELOCATED, REMOVED AND NEW UTILITIES.



FOR PERMIT

**PRELIMINARY
NOT FOR CONSTRUCTION**

REF.	DWG. NUMBER	DESCRIPTION	No.	YYYY-MM-DD	DESCRIPTION	DRAWN	DWG. CHECK	DESIGN	DESIGN CHECK	DISC. APPROVAL	PROJ. APPROVAL
5	85352-D0100-0000 TO 0004	TRANSFER TOWER #P52 - GENERAL ARRANGEMENT - PLANS - SHT.1 TO 5	P5	2020-12-15	ISSUED FOR USE - STAGE 2 STUDY	SJM		SJM		PMD	AJK
4	85347-D0100-0000 TO 0002	TRANSFER TOWER #P47 - GENERAL ARRANGEMENT - PLANS - SHT.1 TO 3	P4	2020-11-20	ISSUED FOR REVIEW	SJM		SJM		PMD	AJK
3	40101-D0020-0001	TYPICAL GALLERY SECTION FOR 72" WIDE BELTS	P3	2020-10-15	ISSUED FOR REVIEW	SJM		SJM		PMD	AJK
2	85350-D0100-0010	POTASH CONVEYOR #P50 - DATA SHEET	P2	2020-07-03	ISSUED FOR STAGE 1 REVIEW	SJM		SJM		PMD	AJK
1	40101-D0000-0000	SITE PLAN	P1	2020-05-22	ISSUED FOR REVIEW	SJM		SJM		PMD	AJK

WestshoreTerminals
CWA PROJECT NUMBER: 19899

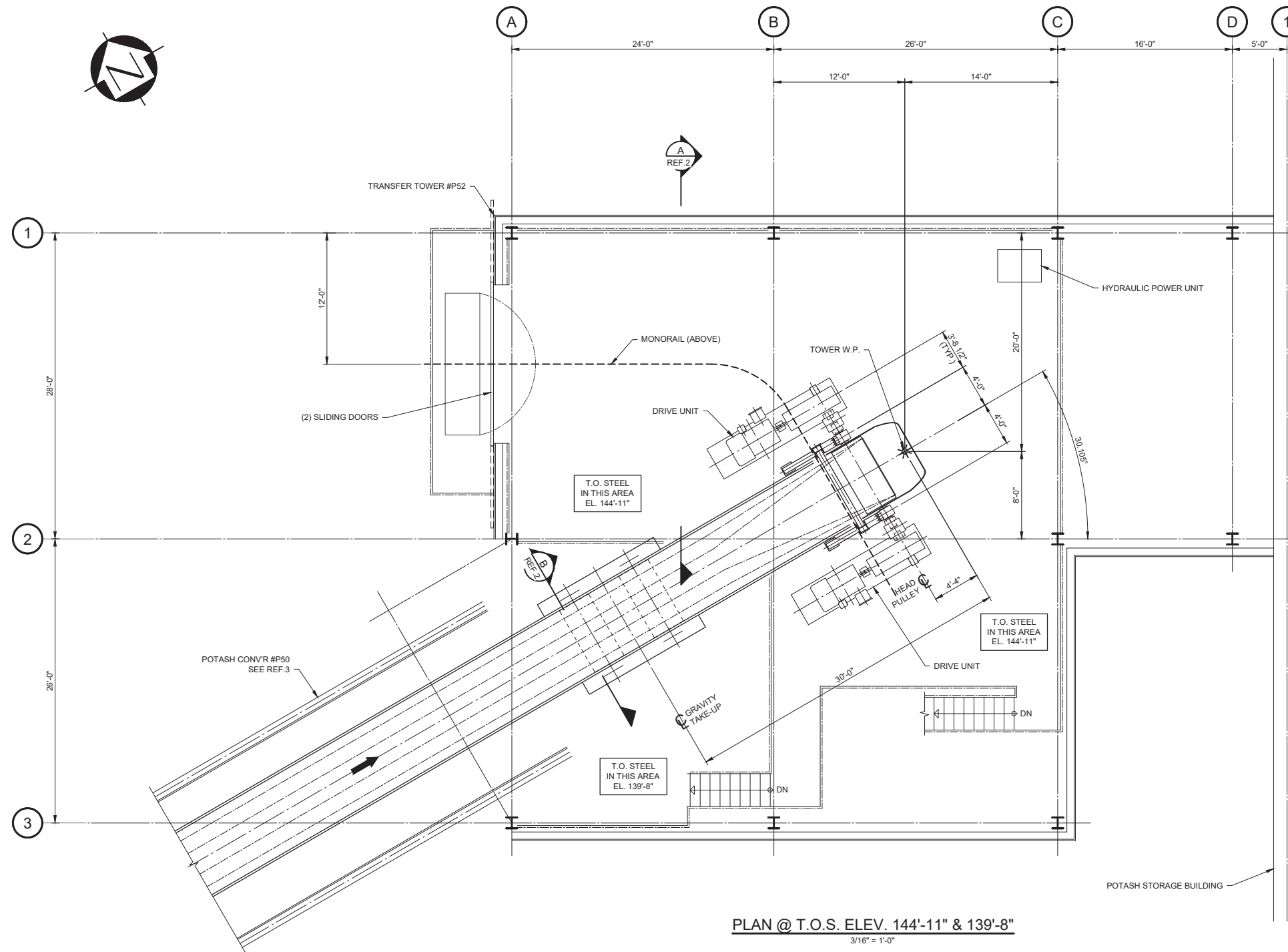
**NEW CARGO STUDY
POTASH CONVEYOR #P50
GENERAL ARRANGEMENT**

85350-D0100-0000

P5

This drawing has been prepared by CWA Engineers Inc. as an instrument of service and is the exclusive property of CWA. This drawing shall be used solely for the purpose of the project. The client agrees that this drawing shall not be used for purposes other than those intended, and shall hold the engineer harmless for any other such uses.

DRAWN BY: SJM SCALE: AS NOTED ACAD FILENAME: 85350-D0100-0000 REV:



PRELIMINARY
FOR PERMIT NOT FOR CONSTRUCTION

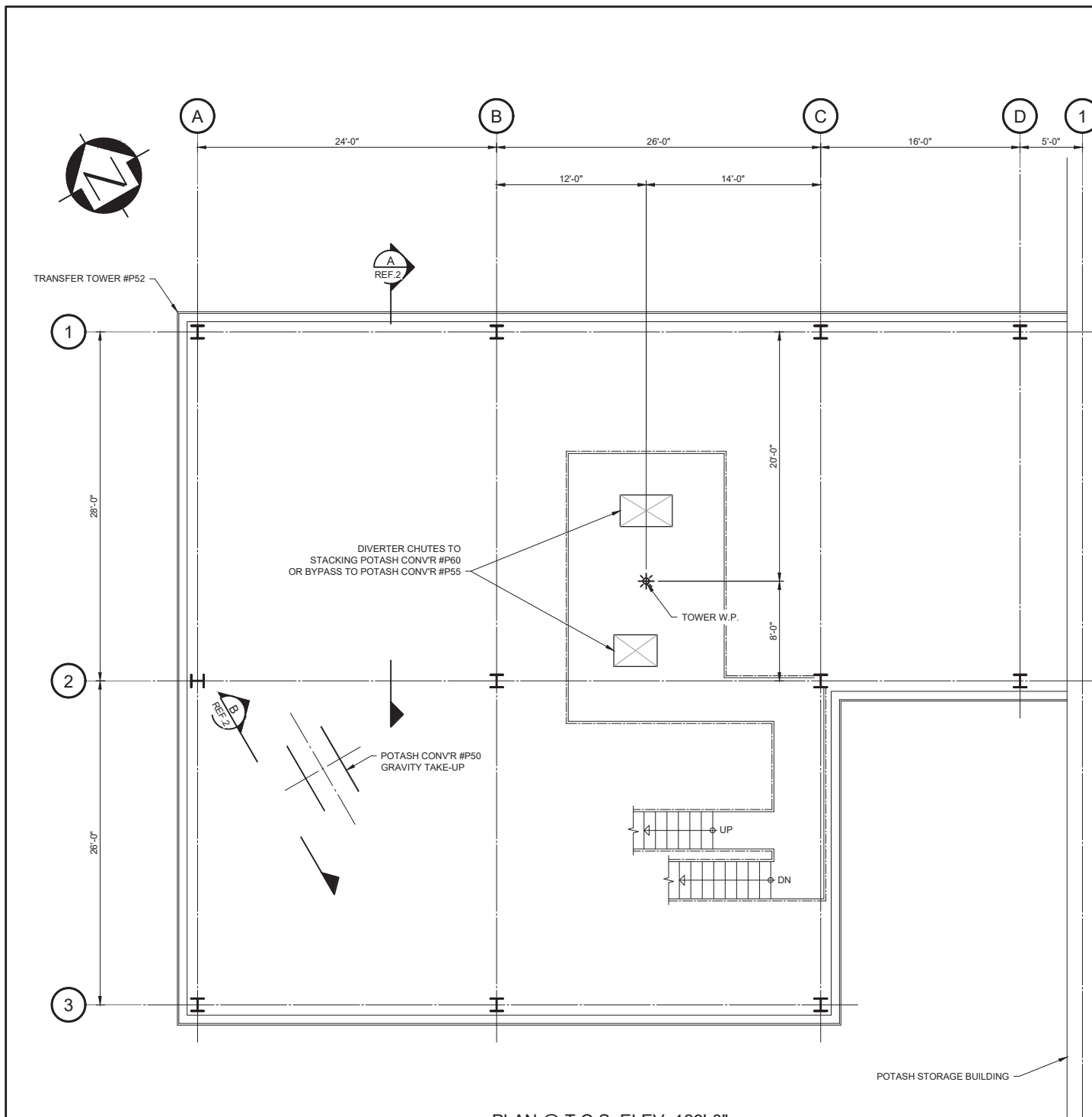
REF.	DWG. NUMBER	DESCRIPTION	No.	YYYY-MM-DD	DESCRIPTION	DRAWN	DWG. CHECK	DESIGN	DESIGN CHECK	DISC. APPROVAL	PROJ. APPROVAL
		REFERENCE DRAWINGS / DESIGN STANDARDS			ISSUES / REVISIONS						
3	85350-D0100-0000	POTASH CONVEYOR #P50 - GENERAL ARRANGEMENT	P4	2020-12-15	ISSUED FOR USE - STAGE 2 STUDY	SJM		SJM		PMD	AJK
2	85352-D0100-0010	TRANSFER TOWER #P52 - GENERAL ARRANGEMENT - SECTIONS	P3	2020-11-24	ISSUED FOR REVIEW	SJM		SJM		PMD	AJK
1	40101-D0000-0000	SITE PLAN	P2	2020-10-30	ISSUED FOR REVIEW	SJM		SJM		PMD	AJK
			P1	2020-07-03	ISSUED FOR STAGE 1 REVIEW	SJM		SJM		PMD	AJK



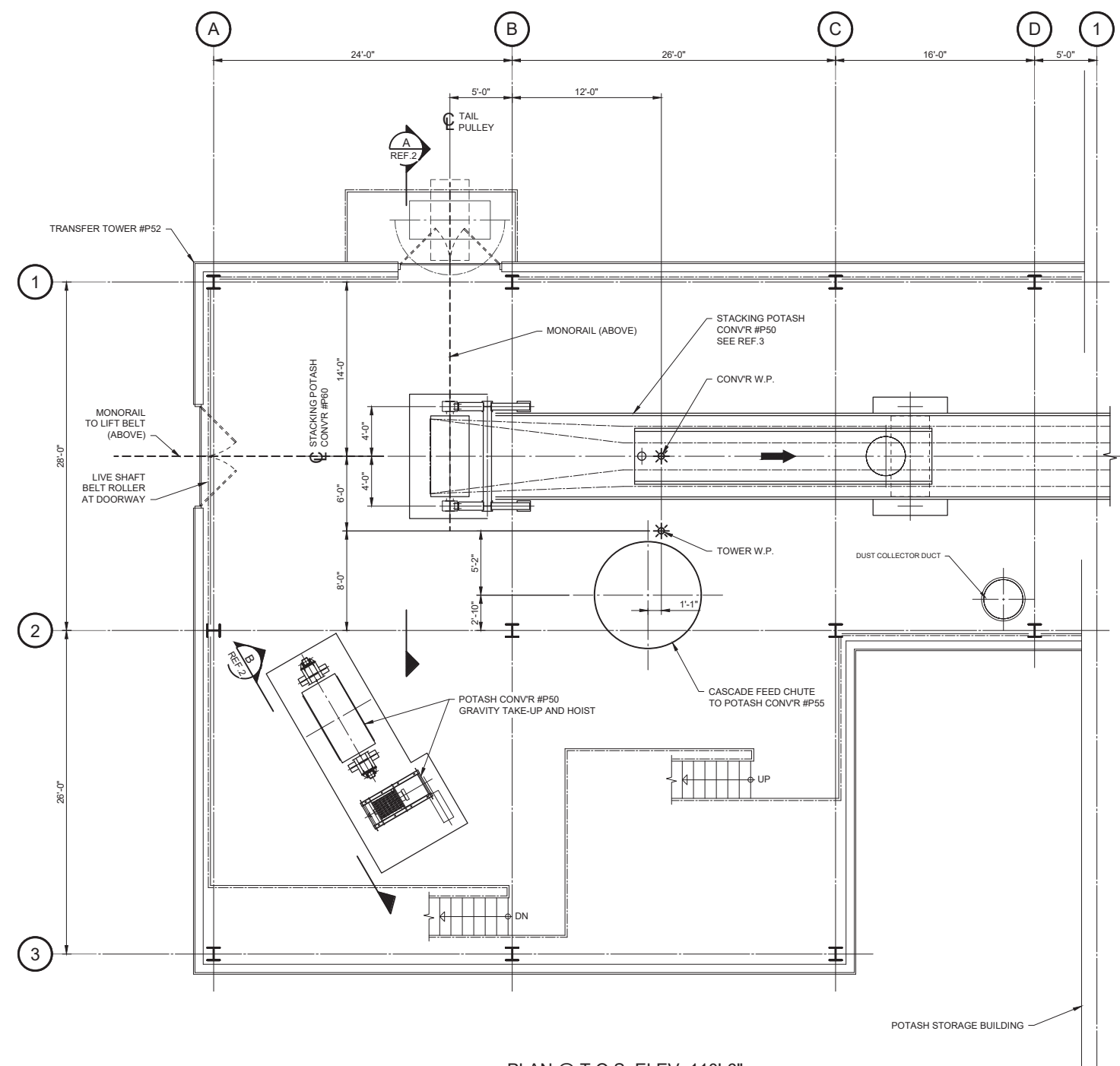
This drawing has been prepared by CWA Engineers Inc. as an instrument of service and is the exclusive property of CWA. This drawing shall be used solely for the purpose of this project. The client agrees that this drawing shall not be used for purposes other than those intended, and shall hold the engineer harmless for any other such use.

NEW CARGO STUDY
TRANSFER TOWER #P52
G.A. - PLANS - SHEET 1

85352-D0100-0000 **P4**



PLAN @ T.O.S. ELEV. 128'-0"
3/16" = 1'-0"



PLAN @ T.O.S. ELEV. 110'-6"
3/16" = 1'-0"

FOR PERMIT
PRELIMINARY
NOT FOR CONSTRUCTION

REF.	DWG. NUMBER	DESCRIPTION	No.	YYYY-MM-DD	DESCRIPTION	DRAWN	DWG. CHECK	DESIGN	DESIGN CHECK	DISC. APPROVAL	PROJ. APPROVAL
3	85360-D0200-0000	STACKING POTASH CONVEYOR #P60 - GENERAL ARRANGEMENT - SHT.1	P4	2020-12-15	ISSUED FOR USE - STAGE 2 STUDY	SJM		SJM		PMD	AJK
2	85352-D0100-0010	TRANSFER TOWER #P52 - GENERAL ARRANGEMENT - SECTIONS	P3	2020-11-24	ISSUED FOR REVIEW	SJM		SJM		PMD	AJK
1	40101-D0000-0000	SITE PLAN	P2	2020-10-30	ISSUED FOR REVIEW	SJM		SJM		PMD	AJK
			P1	2020-07-03	ISSUED FOR STAGE 1 REVIEW	SJM		SJM		PMD	AJK
		REFERENCE DRAWINGS / DESIGN STANDARDS			ISSUES / REVISIONS						



CWA PROJECT NUMBER: 19899

This drawing has been prepared by CWA Engineers Inc. as an instrument of service and is the exclusive property of CWA. This drawing shall be used solely for the purpose of this project. The client agrees that this drawing shall not be used for purposes other than those intended, and shall hold the engineer harmless for any other such use.

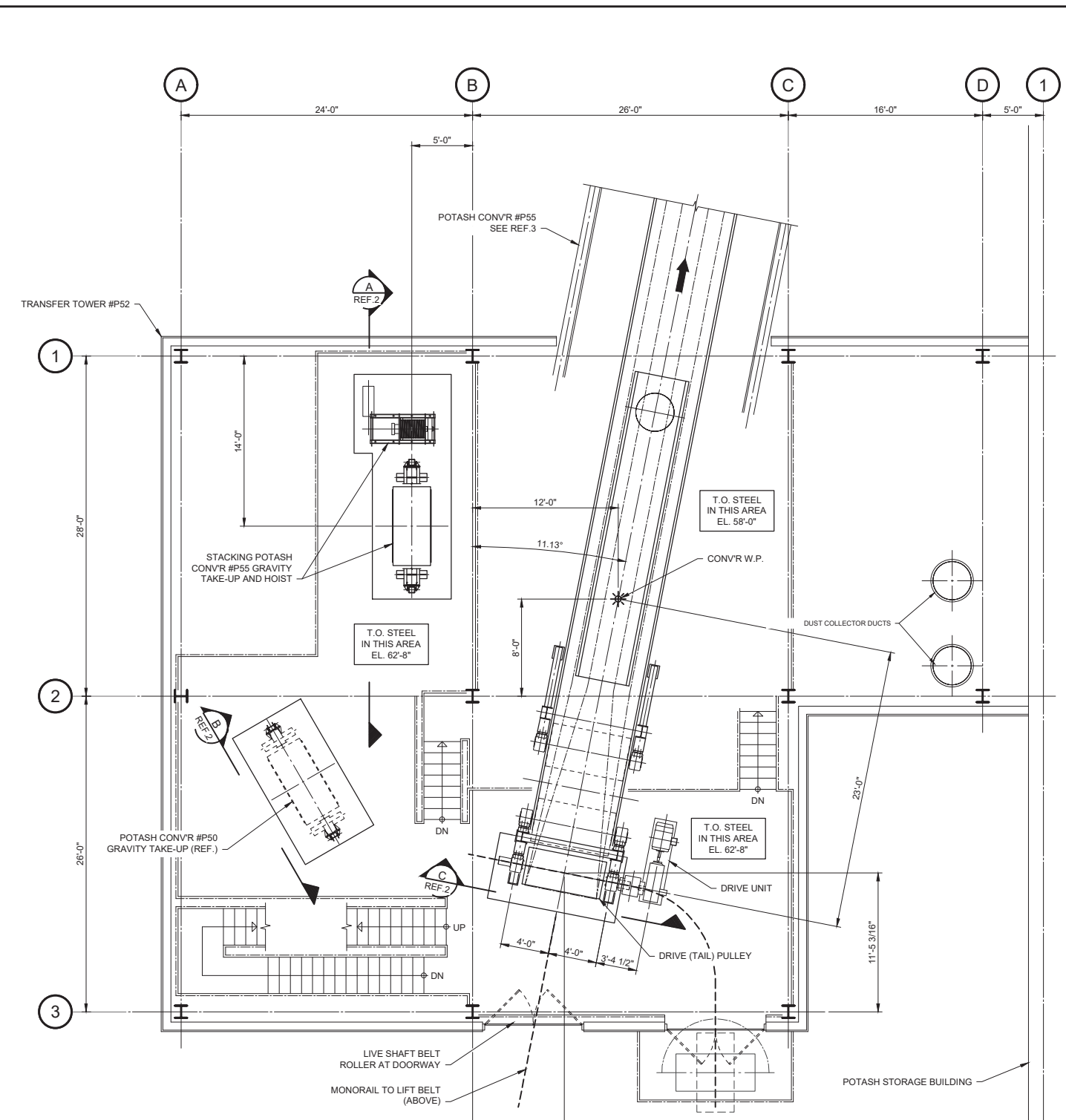
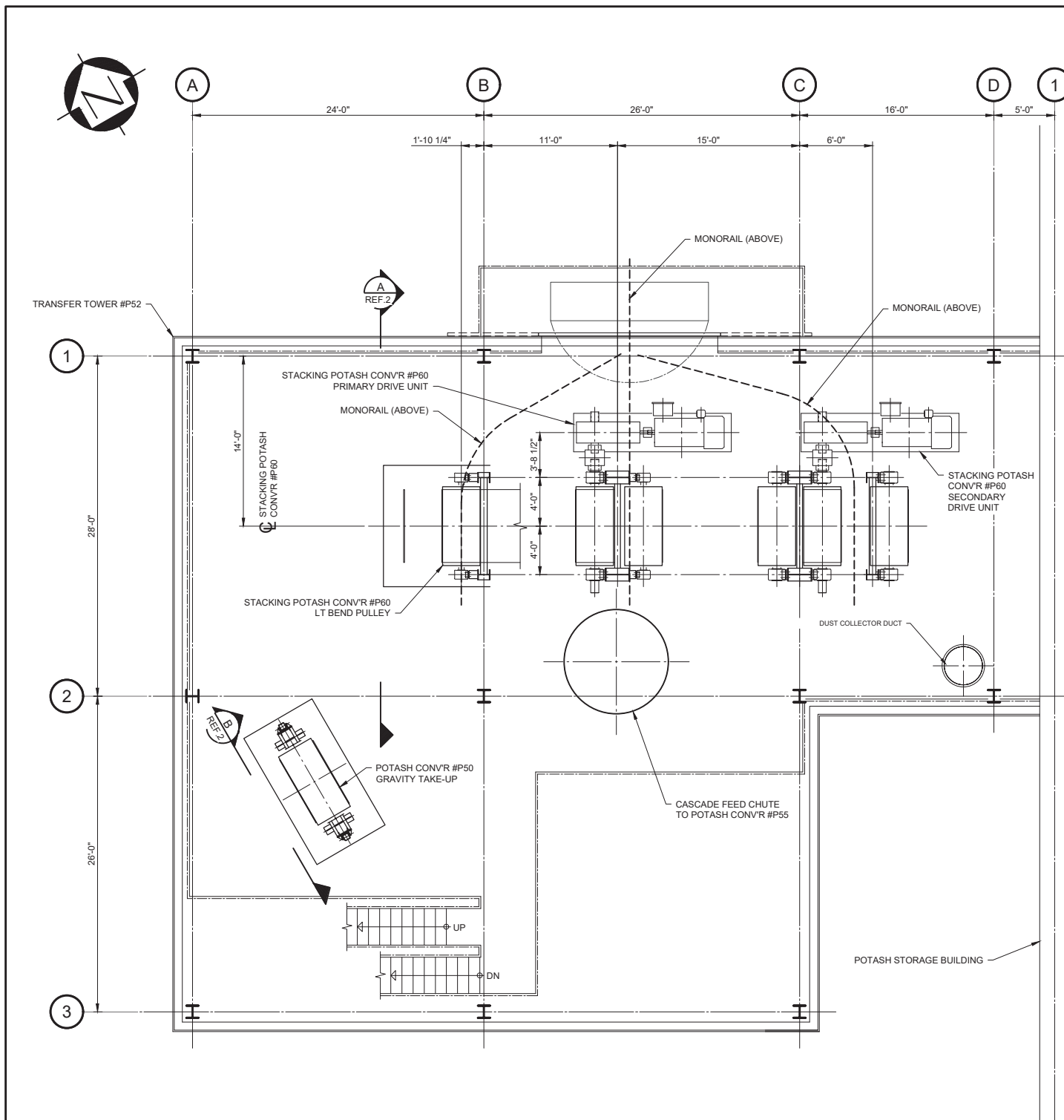
NEW CARGO STUDY
TRANSFER TOWER #P52
G.A. - PLANS - SHEET 2

85352-D0100-0001

P4

DRAWN BY: SJM SCALE: AS NOTED ACAD FILENAME: 85352-D0100-0000 TO 0004

REV.



PRELIMINARY
NOT FOR CONSTRUCTION

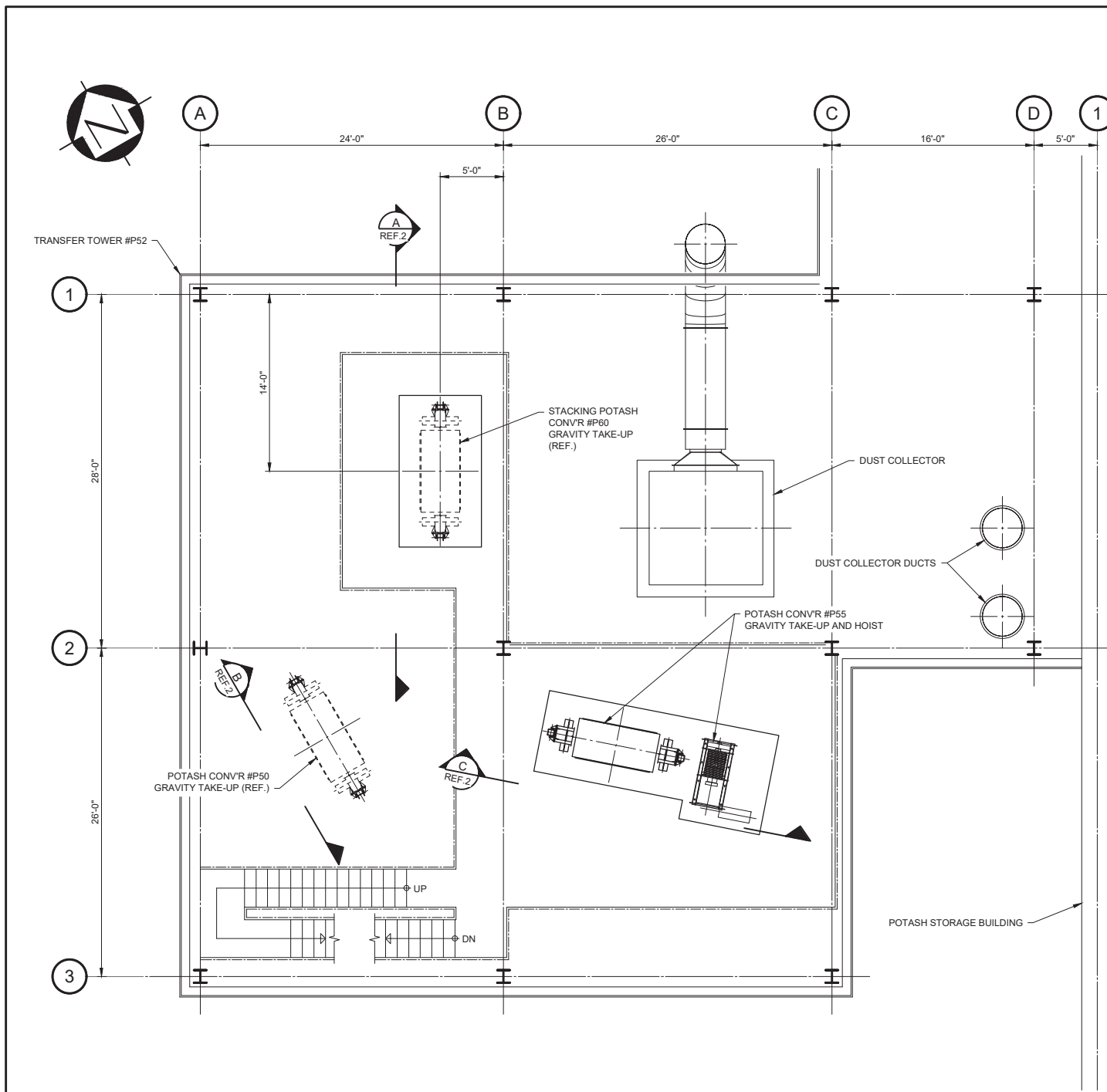
FOR PERMIT

REF.	DWG. NUMBER	DESCRIPTION	No.	YYYY-MM-DD	DESCRIPTION	ISSUES / REVISIONS	DRAWN	DWG. CHECK	DESIGN	DESIGN CHECK	DISC. APPROVAL	PROJ. APPROVAL
		REFERENCE DRAWINGS / DESIGN STANDARDS										
3	85355-D0100-0000	POTASH CONVEYOR #P55 - GENERAL ARRANGEMENT	P4	2020-12-15	ISSUED FOR USE - STAGE 2 STUDY		SJM		SJM		PMD	AJK
2	85352-D0100-0010	TRANSFER TOWER #P52 - GENERAL ARRANGEMENT - SECTIONS	P3	2020-11-24	ISSUED FOR REVIEW		SJM		SJM		PMD	AJK
1	40101-D0000-0000	SITE PLAN	P2	2020-10-30	ISSUED FOR REVIEW		SJM		SJM		PMD	AJK
			P1	2020-07-03	ISSUED FOR STAGE 1 REVIEW		SJM		SJM		PMD	AJK

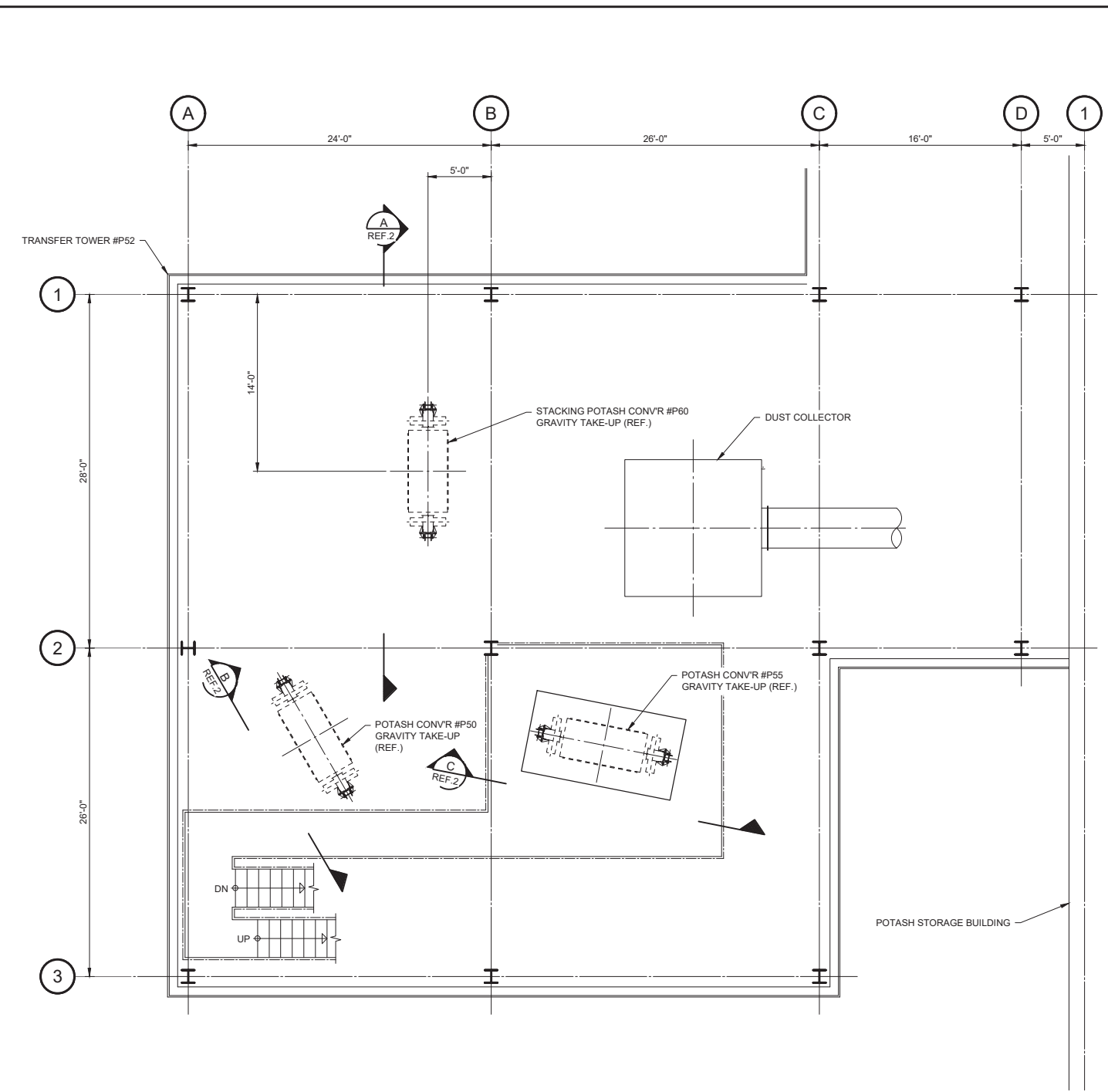
		CWA PROJECT NUMBER: 19899
		NEW CARGO STUDY TRANSFER TOWER #P52 G.A. - PLANS - SHEET 3
<small>This drawing has been prepared by CWA Engineers Inc. as an instrument of service and is the exclusive property of CWA. This drawing shall be used solely for the purpose of this project. The client agrees that this drawing shall not be used for purposes other than those intended, and shall hold the engineer harmless for any other such use.</small>	85352-D0100-0002	P4
DRAWN BY: SJM	SCALE: AS NOTED	ACAD FILENAME: 85352-D0100-0000 TO 0004

* HAND INITIALS ON FILE

REV.



PLAN @ T.O.S. ELEV. 45'-2"
3/16" = 1'-0"



PLAN @ T.O.S. ELEV. 35'-3"
3/16" = 1'-0"

PRELIMINARY
FOR PERMIT NOT FOR CONSTRUCTION

REF.	DWG. NUMBER	DESCRIPTION	No.	YYYY-MM-DD	DESCRIPTION	DRAWN	DWG. CHECK	DESIGN	DESIGN CHECK	DISC. APPROVAL	PROJ. APPROVAL
		REFERENCE DRAWINGS / DESIGN STANDARDS			ISSUES / REVISIONS						
2	85352-D0100-0010	TRANSFER TOWER #P52 - GENERAL ARRANGEMENT - SECTIONS	P4	2020-12-15	ISSUED FOR USE - STAGE 2 STUDY	SJM		SJM		PMD	AJK
			P3	2020-11-24	ISSUED FOR REVIEW	SJM		SJM		PMD	AJK
			P2	2020-10-30	ISSUED FOR REVIEW	SJM		SJM		PMD	AJK
1	40101-D0000-0000	SITE PLAN	P1	2020-07-03	ISSUED FOR STAGE 1 REVIEW	SJM		SJM		PMD	AJK

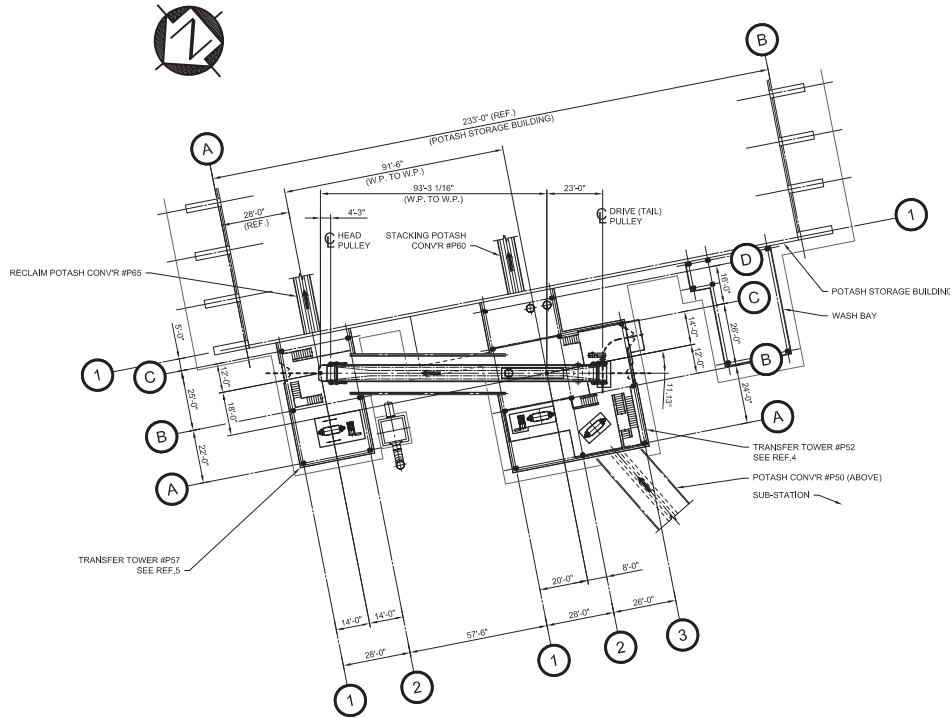


This drawing has been prepared by CWA Engineers Inc. as an instrument of service and is the exclusive property of CWA. This drawing shall be used solely for the purpose of this project. The client agrees that this drawing shall not be used for purposes other than those intended, and shall hold the engineer harmless for any other such use.

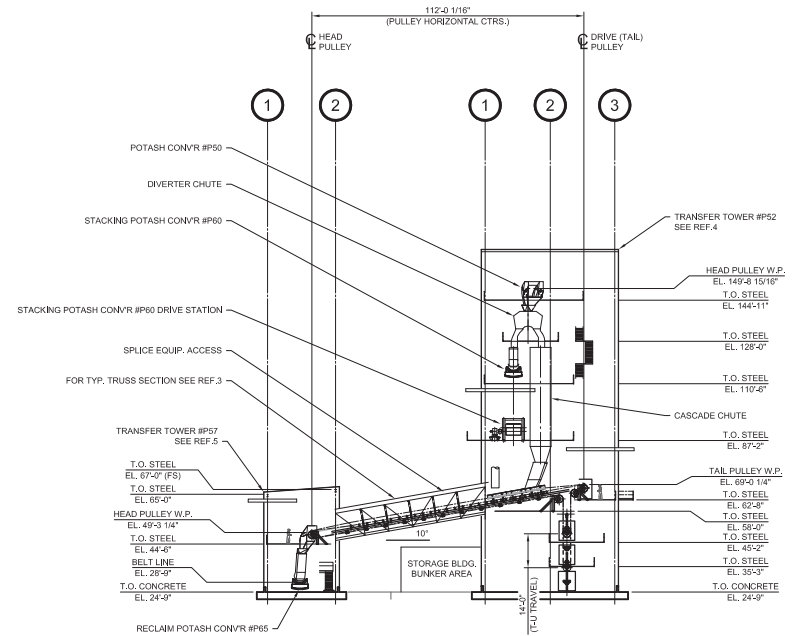
NEW CARGO STUDY
TRANSFER TOWER #P52
G.A. - PLANS - SHEET 4
85352-D0100-0003 P4

NOTES:

1. ALL DIMENSIONS ARE IN FEET-INCHES.
2. ELEVATIONS ARE IN FEET-INCHES FROM MSL.
3. EXISTING UTILITIES SHOWN, SEE DRAWING 88200-D007-1210 FOR RELOCATED, REMOVED AND NEW UTILITIES.



PLAN
1"=25'-0"



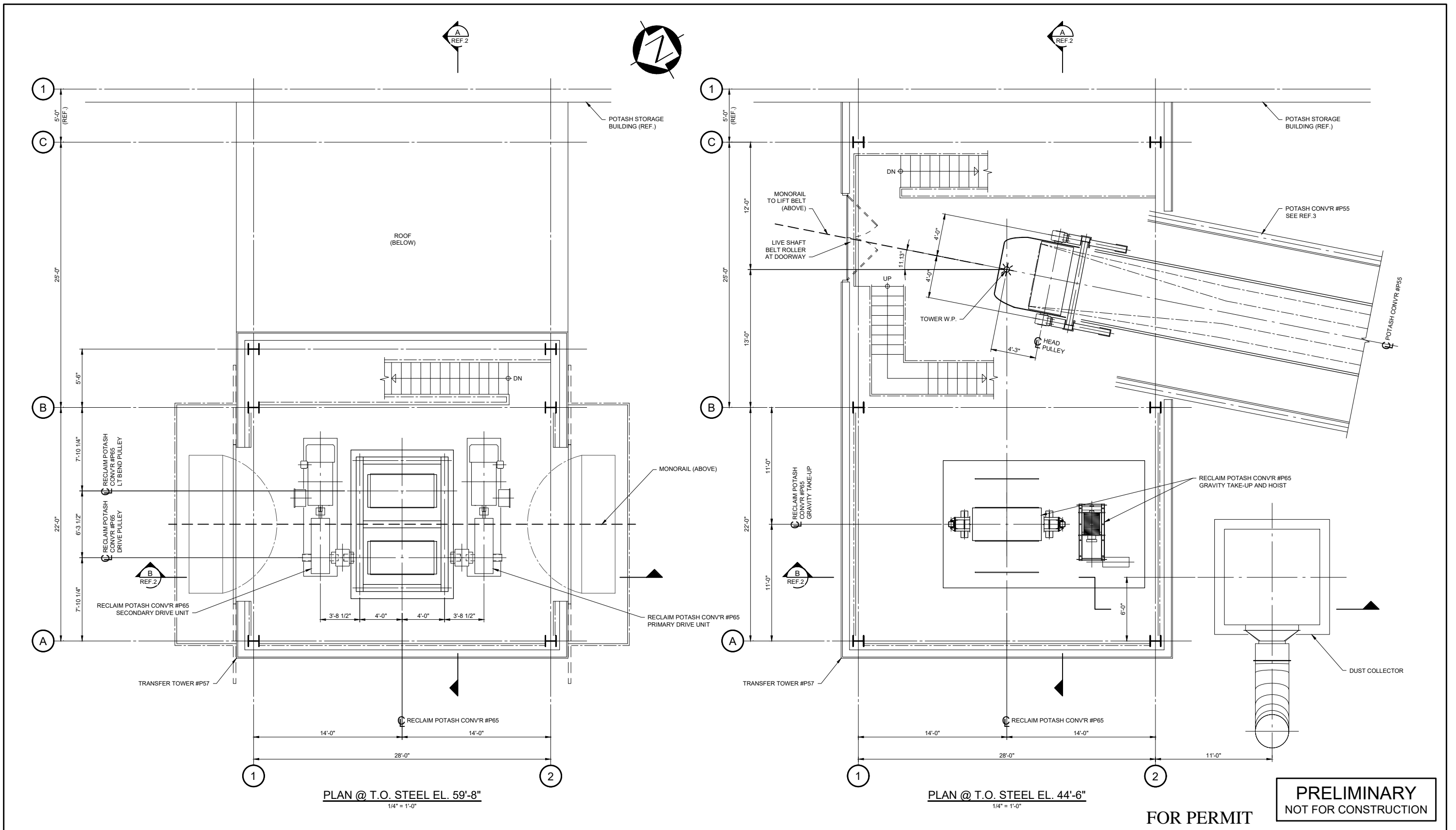
ELEVATION
1"=25'-0"

FOR PERMIT **PRELIMINARY**
NOT FOR CONSTRUCTION

CWA WestshoreTerminals
CWA PROJECT NUMBER: 19899
NEW CARGO STUDY
POTASH CONVEYOR #P55
GENERAL ARRANGEMENT
85355-D0100-0000 P5

This drawing has been prepared by CWA Engineers Inc. as an instrument of service and is the exclusive property of CWA. This drawing shall be used solely for the purpose of this project. The client agrees that this drawing shall not be used for purposes other than those intended, and shall hold the engineer harmless for any other such use.

REF.	DWG. NUMBER	DESCRIPTION	No.	YYYY-MM-DD	DESCRIPTION	DRAWN	DWG. CHECK	DESIGN	DESIGN CHECK	DISC. APPROVAL	PROJ. APPROVAL
5	85357-D0100-0000 & 0001	TRANSFER TOWER #P57 - GENERAL ARRANGEMENT - PLANS - SHT.1 & 2	P5	2020-12-15	ISSUED FOR USE - STAGE 2 STUDY	SJM		SJM		PMD	AJK
4	85352-D0100-0000 TO 0004	TRANSFER TOWER #P52 - GENERAL ARRANGEMENT - PLANS - SHT.1 TO 5	P4	2020-11-24	ISSUED FOR REVIEW	SJM		SJM		PMD	AJK
3	40101-D0020-0001	TYPICAL GALLERY SECTION FOR 72" WIDE BELTS	P3	2020-10-30	ISSUED FOR REVIEW	SJM		SJM		PMD	AJK
2	85355-D0100-0010	POTASH CONVEYOR #P55 - DATA SHEET	P2	2020-07-03	ISSUED FOR STAGE 1 REVIEW	SJM		SJM		PMD	AJK
1	40101-D0000-0000	SITE PLAN	P1	2020-05-22	ISSUED FOR REVIEW	SJM		SJM		PMD	AJK



PRELIMINARY
NOT FOR CONSTRUCTION

FOR PERMIT

REF.	DWG. NUMBER	DESCRIPTION	No.	YYYY-MM-DD	DESCRIPTION	DRAWN	DWG. CHECK	DESIGN	DESIGN CHECK	DISC. APPROVAL	PROJ. APPROVAL	SCALE	ACAD FILENAME	REV.
3	85355-D0100-0000	POTASH CONVEYOR #P55 - GENERAL ARRANGEMENT	P4	2020-12-15	ISSUED FOR USE - STAGE 2 STUDY	SJM		SJM		PMD	AJK	SCALE: AS NOTED	85357-D0100-0000 & 0001	
2	85357-D0100-0010	TRANSFER TOWER #P57 - GENERAL ARRANGEMENT - SECTIONS	P2	2020-10-30	ISSUED FOR REVIEW	SJM		SJM		PMD	AJK			
1	40101-D0000-0000	SITE PLAN	P1	2020-07-03	ISSUED FOR STAGE 1 REVIEW	JRM		JRM		PMD	AJK			
		REFERENCE DRAWINGS / DESIGN STANDARDS			ISSUES / REVISIONS									



CWA PROJECT NUMBER: 19899
NEW CARGO STUDY
TRANSFER TOWER #P57
G.A. - PLANS - SHEET 1

85357-D0100-0000 P4

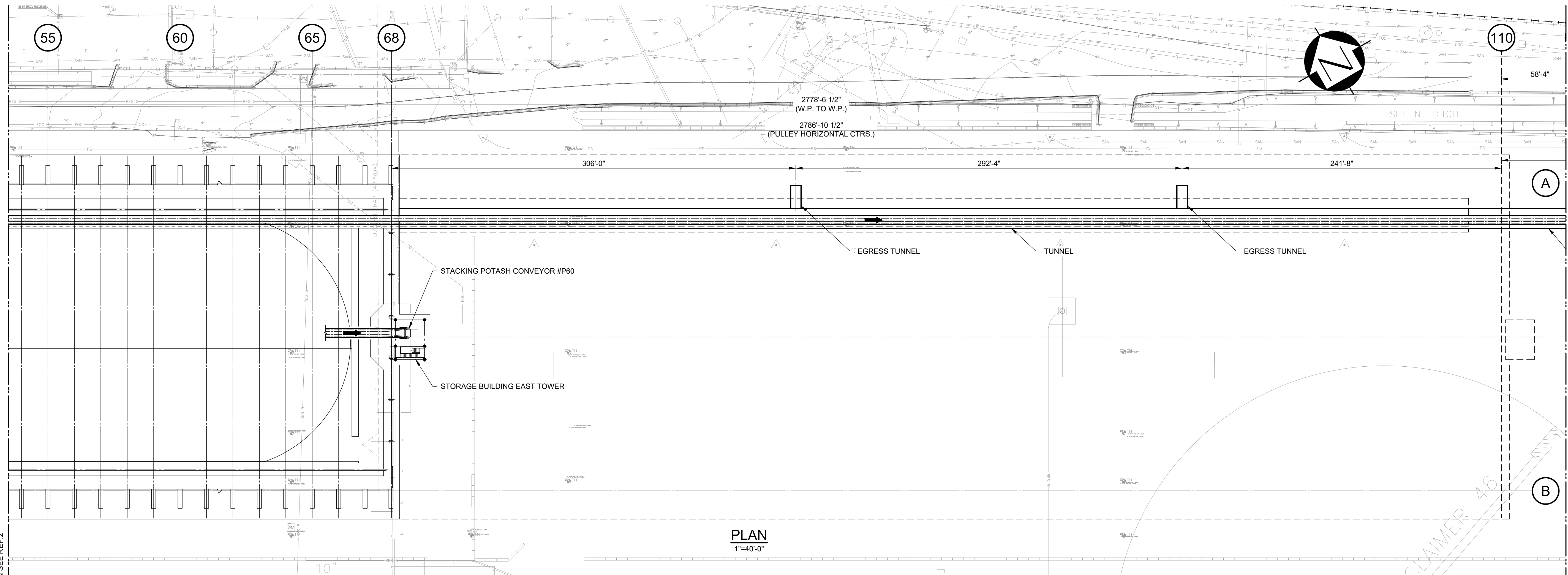
This drawing has been prepared by CWA Engineers Inc. as an instrument of service and is the exclusive property of CWA. This drawing shall be used solely for the purpose of this project. The client agrees that this drawing shall not be used for purposes other than those intended, and shall hold the engineer harmless for any other such use.

* HAND INITIALS ON FILE

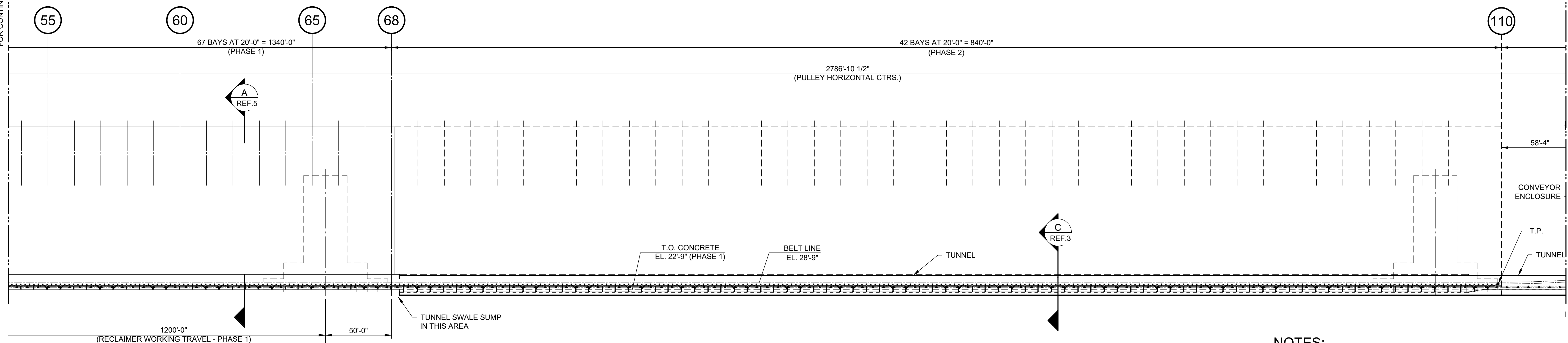
DRAWN BY: SJM

SCALE: AS NOTED

ACAD FILENAME: 85357-D0100-0000 & 0001



PLAN
1"=40'-0"



ELEVATION
1"=40'-0"

- NOTES:**
1. ALL DIMENSIONS ARE IN FEET-INCHES.
 2. ELEVATIONS ARE IN FEET-INCHES FROM MSL.
 3. EXISTING UTILITIES SHOWN. SEE DRAWING 88200-D007-1210 FOR RELOCATED, REMOVED AND NEW UTILITIES.

PRELIMINARY
NOT FOR CONSTRUCTION

REF.	DWG. NUMBER	DESCRIPTION	No.	YYYY-MM-DD	DESCRIPTION	DRAWN	DWG. CHECK	DESIGN	DESIGN CHECK	DISC. APPROVAL	PROJ. APPROVAL
5	85400-D0015-0003	POTASH STORAGE BUILDING - BUILDING ENVELOPE - GENERAL SECTION	P6	2021-06-11	RE-ISSUED FOR USE - TUNNEL ADDED	SJM				PMD	AJK
4	85665-D0200-0010	RECLAIM POTASH CONVEYOR #P65 - DATA SHEET	P5	2020-12-15	ISSUED FOR USE - STAGE 2 STUDY	SJM		SJM		PMD	AJK
3	85665-D0200-0003	RECLAIM POTASH CONVEYOR #P65 - GENERAL ARRANGEMENT - SHT. 3	P4	2020-11-27	ISSUED FOR REVIEW	SJM		SJM		PMD	AJK
2	85665-D0200-0001	RECLAIM POTASH CONVEYOR #P65 - GENERAL ARRANGEMENT - SHT. 1	P3	2020-11-06	ISSUED FOR REVIEW	SJM		SJM		PMD	AJK
1	40101-D0000-0000	SITE PLAN	P2	2020-07-17	ISSUED FOR STAGE 1 REVIEW	JRM		JRM		PMD	AJK
			P1	2020-05-22	ISSUED FOR REVIEW	JRM		JRM		PMD	AJK
REF.	DWG. NUMBER	DESCRIPTION	No.	YYYY-MM-DD	DESCRIPTION	DRAWN	DWG. CHECK	DESIGN	DESIGN CHECK	DISC. APPROVAL	PROJ. APPROVAL
		REFERENCE DRAWINGS / DESIGN STANDARDS			ISSUES / REVISIONS						

FOR PERMIT

CWA

WestshoreTerminals
CWA PROJECT NUMBER: 19899

NEW CARGO STUDY
RECLAIM POTASH CONV'R #P65
GENERAL ARRANGEMENT - SHT.2

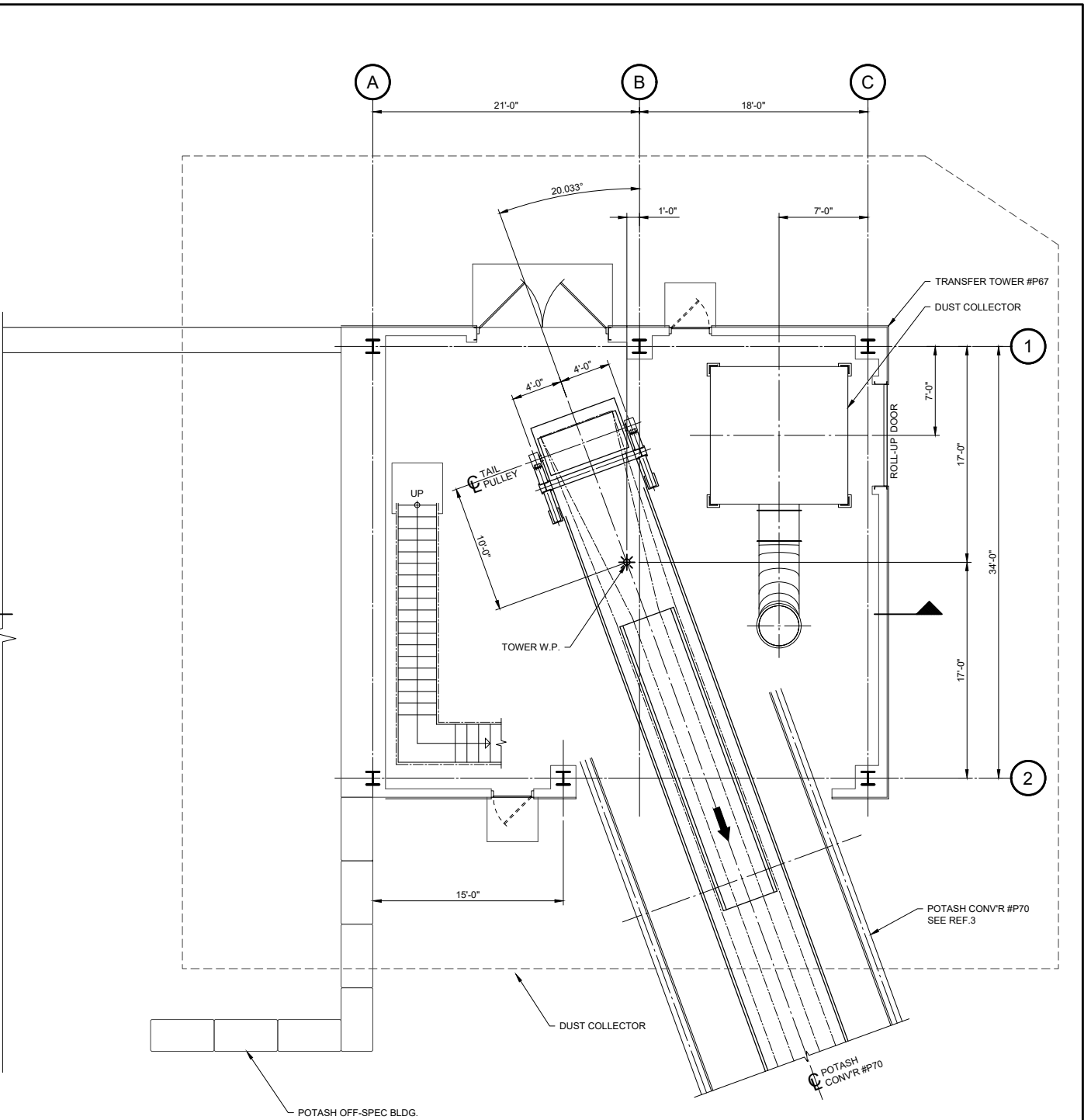
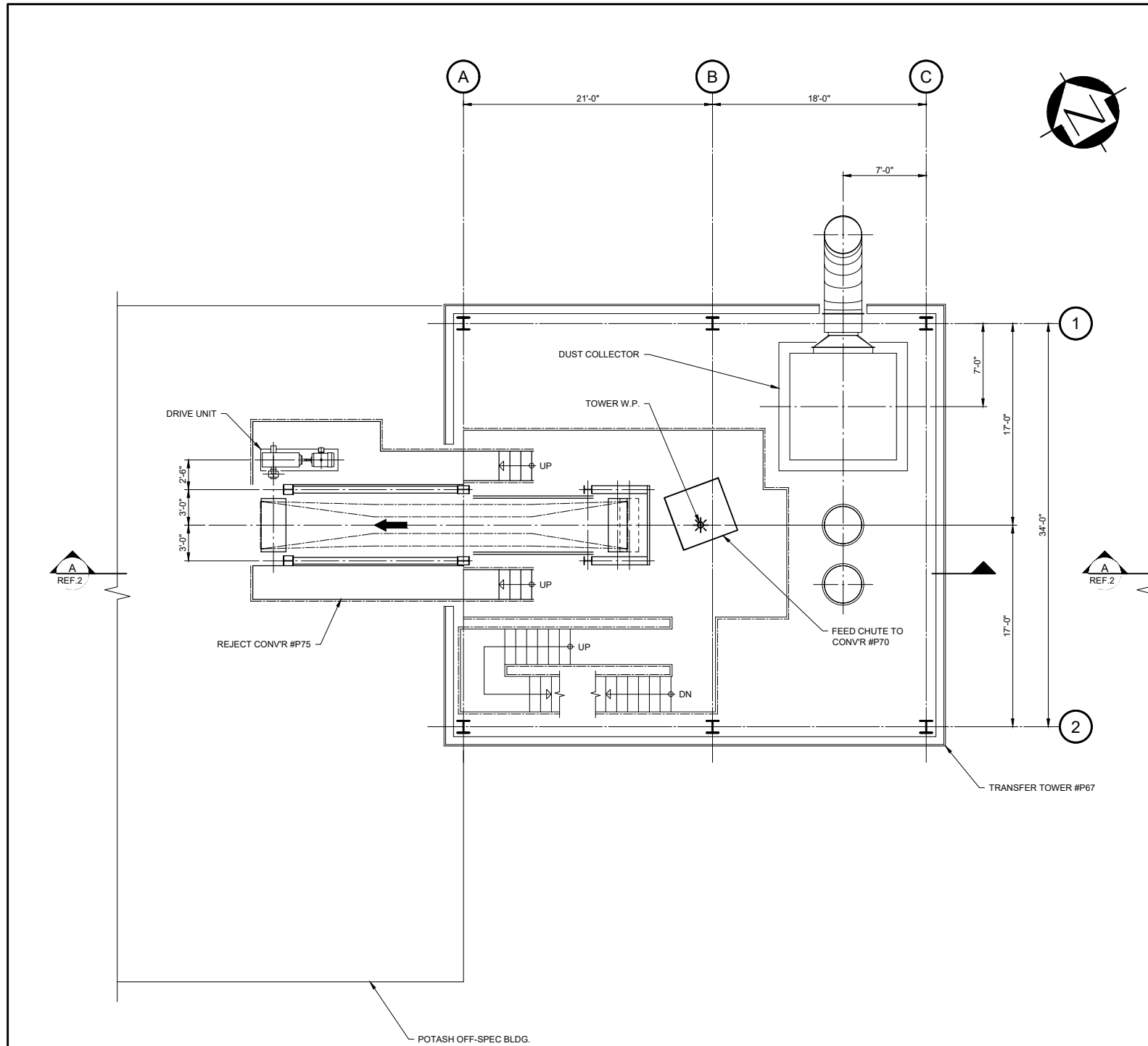
85665-D0200-0002 P6

This drawing has been prepared by CWA Engineers Inc. as an instrument of service and is the exclusive property of CWA. This drawing shall be used solely for the purpose of this project. The client agrees that this drawing shall not be used for purposes other than those intended, and shall hold the engineer harmless for any other such use.

ACAD FILENAME: 85665-D0200-0001 TO 0003

DRAWN BY: SJM SCALE: AS NOTED

* HAND INITIALS ON FILE



PRELIMINARY
FOR PERMIT
NOT FOR CONSTRUCTION

REF.	DWG. NUMBER	DESCRIPTION	No.	YYYY-MM-DD	DESCRIPTION	DRAWN	DWG. CHECK	DESIGN	DESIGN CHECK	DISC. APPROVAL	PROJ. APPROVAL
3	85670-D0300-0000	POTASH CONVEYOR #P70 - GENERAL ARRANGEMENT	P4	2020-12-15	ISSUED FOR USE - STAGE 2 STUDY	SJM		SJM		PMD	AJK
2	85667-D0200-0010	TRANSFER TOWER #P67 - GENERAL ARRANGEMENT - SECTIONS	P3	2020-11-27	ISSUED FOR REVIEW	SJM		SJM		PMD	AJK
1	40101-D0000-0000	SITE PLAN	P2	2020-11-20	ISSUED FOR REVIEW	SJM		SJM		PMD	AJK
			P1	2020-07-17	ISSUED FOR STAGE 1 REVIEW	SJM		SJM		PMD	AJK
		REFERENCE DRAWINGS / DESIGN STANDARDS			ISSUES / REVISIONS						

CWA

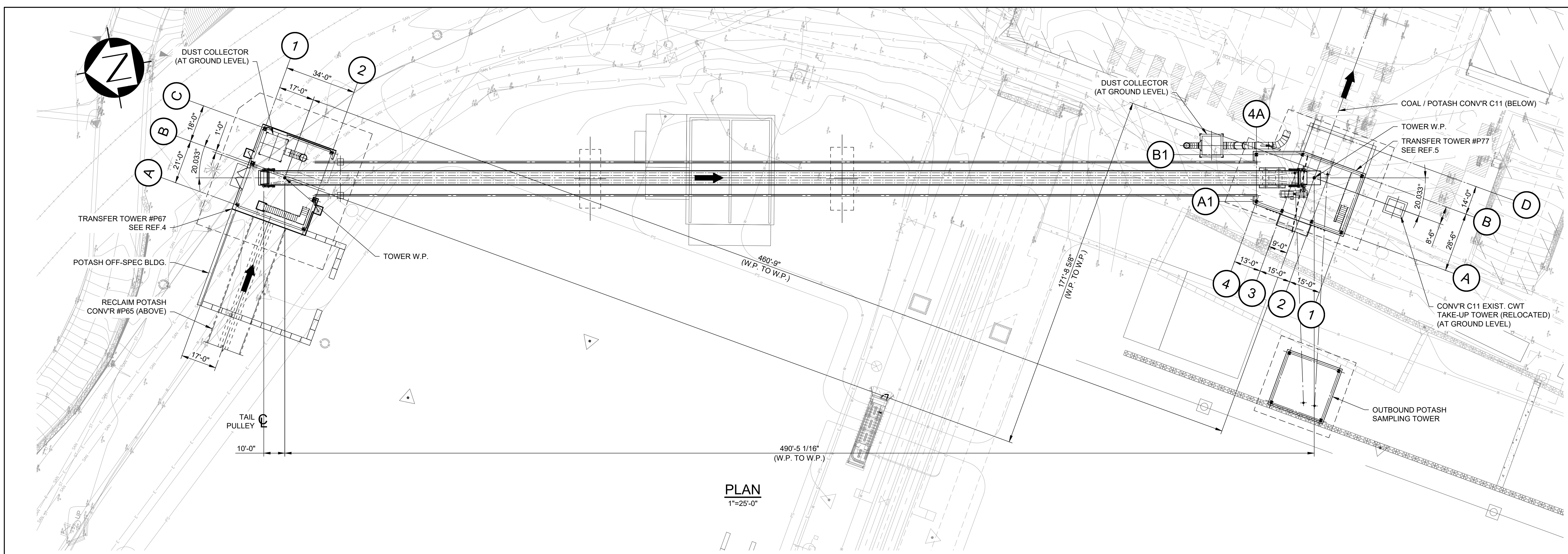
This drawing has been prepared by CWA Engineers Inc. as an instrument of service and is the exclusive property of CWA. This drawing shall be used solely for the purpose of this project. The client agrees that this drawing shall not be used for purposes other than those intended, and shall hold the engineer harmless for any other such use.

WestshoreTerminals

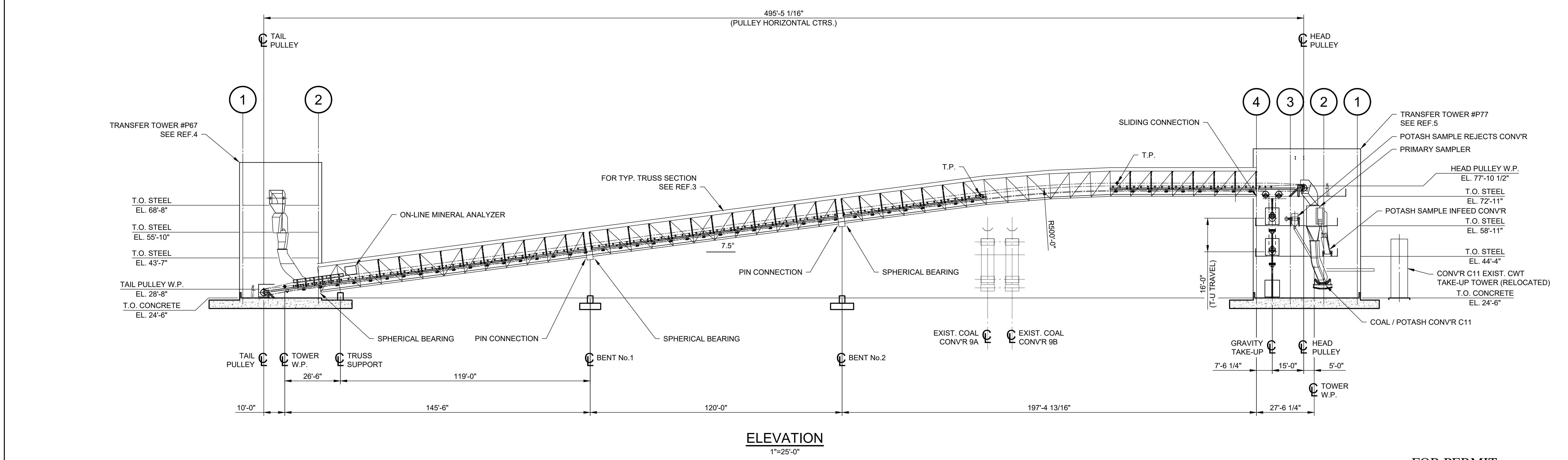
CWA PROJECT NUMBER: 19899

NEW CARGO STUDY
TRANSFER TOWER #P67
GENERAL ARR'G'T - PLANS - SHT.2

85667-D0200-0001 P4



- NOTES:**
1. ALL DIMENSIONS ARE IN FEET-INCHES.
 2. ELEVATIONS ARE IN FEET-INCHES FROM MSL.
 3. EXISTING UTILITIES SHOWN. SEE DRAWING 88200-D007-1210 FOR RELOCATED, REMOVED AND NEW UTILITIES.



PRELIMINARY
NOT FOR CONSTRUCTION

FOR PERMIT

REF.	DWG. NUMBER	DESCRIPTION	No.	YYYY-MM-DD	DESCRIPTION	DRAWN	DWG. CHECK	DESIGN	DESIGN CHECK	DISC. APPROVAL	PROJ. APPROVAL	DRAWN BY:	SCALE:	ACAD FILENAME:	REV.
5	85677-D0300-0000	TRANSFER TOWER #P77 - GENERAL ARRANGEMENT - PLANS										SJM	AS NOTED	85677-D0300-0000	
4	85667-D0200-0000 & 0001	TRANSFER TOWER #P67 - GENERAL ARRANGEMENT - PLANS - SHT. 1 & 2	P4	2020-12-15	ISSUED FOR USE - STAGE 2 STUDY	SJM		SJM		PMD	AJK				
3	40101-D0020-0001	TYPICAL GALLERY SECTION FOR 72" WIDE BELTS	P3	2020-11-27	ISSUED FOR REVIEW	SJM		SJM		PMD	AJK				
2	85670-D0300-0010	POTASH CONVEYOR #P70 - DATA SHEET	P2	2020-11-20	ISSUED FOR REVIEW	SJM		SJM		PMD	AJK				
1	40101-D0000-0000	SITE PLAN	P1	2020-07-17	ISSUED FOR STAGE 1 REVIEW	SJM		SJM		PMD	AJK				
		REFERENCE DRAWINGS / DESIGN STANDARDS			ISSUES / REVISIONS										

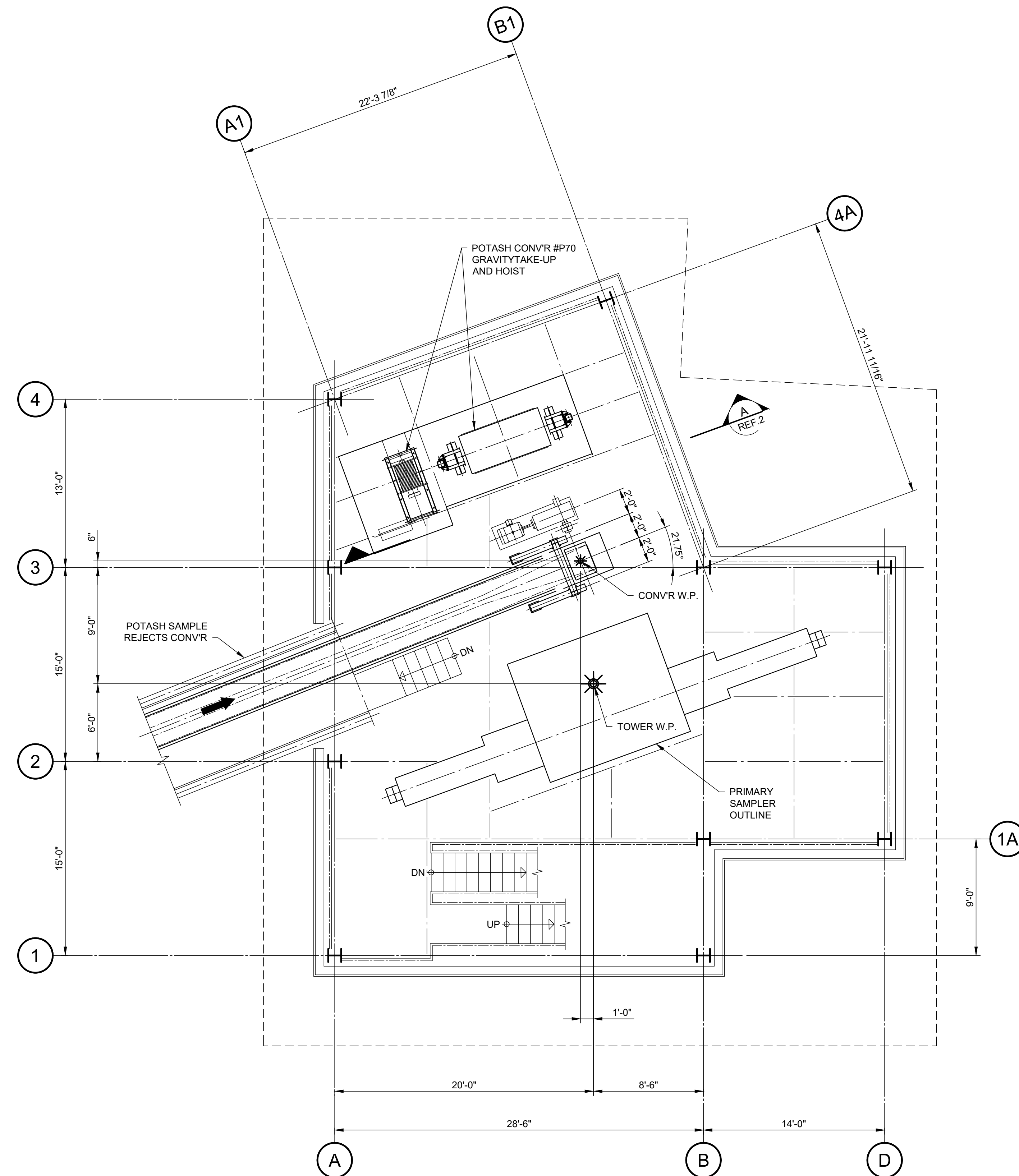
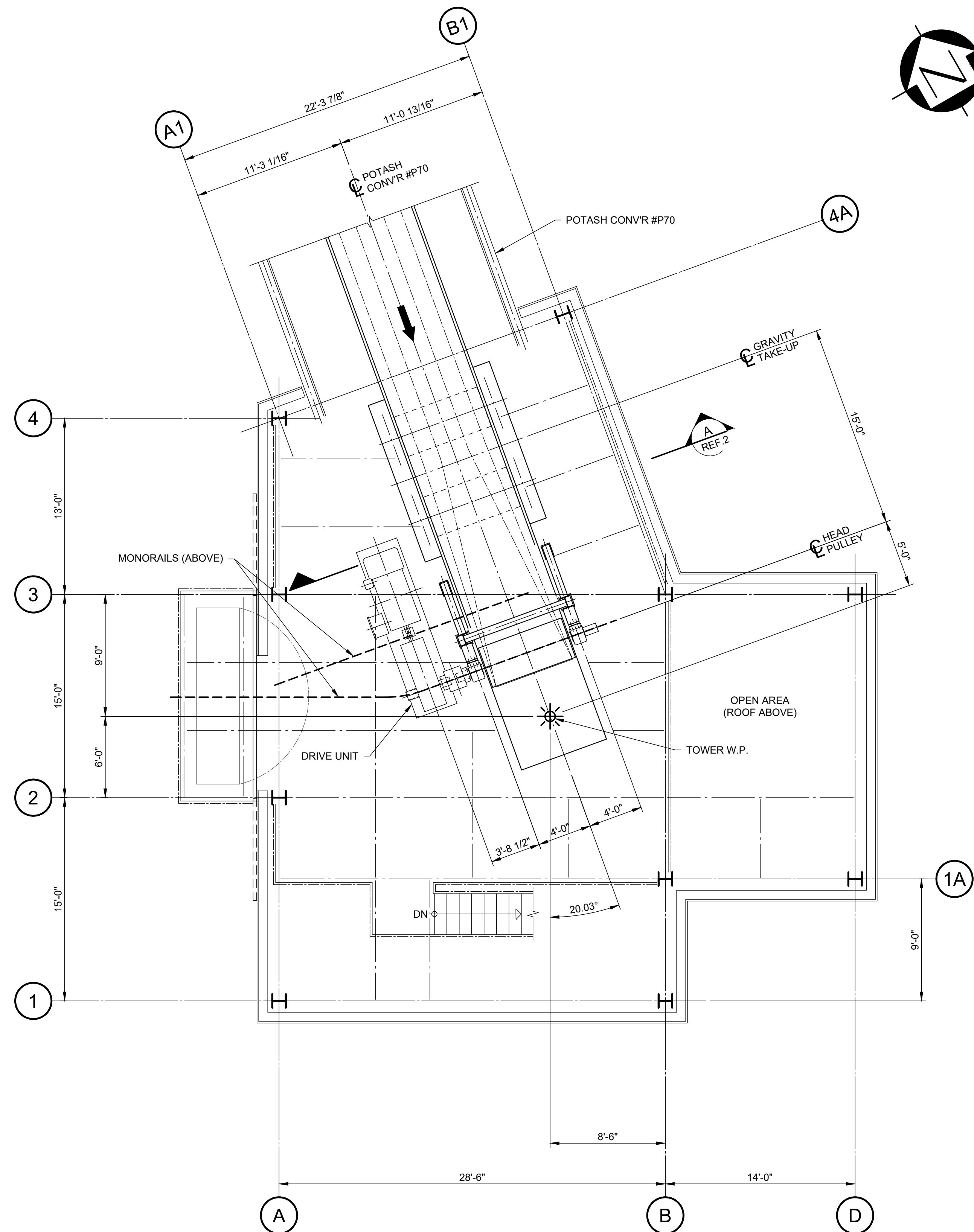
CWA
WestshoreTerminals
CWA PROJECT NUMBER: 19899

This drawing has been prepared by CWA Engineers Inc. as an instrument of service and is the exclusive property of CWA. This drawing shall be used solely for the purpose of this project. The client agrees that this drawing shall not be used for purposes other than those intended, and shall hold the engineer harmless for any other such use.

WestshoreTerminals
CWA PROJECT NUMBER: 19899

NEW CARGO STUDY
POTASH CONVEYOR #P70
GENERAL ARRANGEMENT

85670-D0300-0000 | **P4**



PRELIMINARY
NOT FOR CONSTRUCTION

FOR PERMIT

REF.	DWG. NUMBER	DESCRIPTION	No.	YYYY-MM-DD	DESCRIPTION	DRAWN	DWG. CHECK	DESIGN	DESIGN CHECK	DISC. APPROVAL	PROJ. APPROVAL	DRAWN BY:	SCALE:	ACAD FILENAME:	REV.
		REFERENCE DRAWINGS / DESIGN STANDARDS			ISSUES / REVISIONS							SJM	AS NOTED	85677-D0300-0000 & 0001	
2	85677-D0300-0010	TRANSFER TOWER #P77 - GENERAL ARRANGEMENT - SECTIONS	P5	2021-08-09	ISSUED FOR INFORMATION	SJM		SJM		PMD	AJK				
			P4	2021-05-20	ISSUED FOR REVIEW	SJM		SJM		PMD	AJK				
			P3	2020-12-15	ISSUED FOR USE - STAGE 2 STUDY	SJM		SJM		PMD	AJK				
			P2	2020-11-27	ISSUED FOR REVIEW	SJM		SJM		PMD	AJK				
1	40101-D0000-0000	SITE PLAN	P1	2020-07-17	ISSUED FOR STAGE 1 REVIEW	SJM		SJM		PMD	AJK				

CWA

This drawing has been prepared by CWA Engineers Inc. as an instrument of service and is the exclusive property of CWA. This drawing shall be used solely for the purpose of this project. The client agrees that this drawing shall not be used for purposes other than those intended, and shall hold the engineer harmless for any other such use.

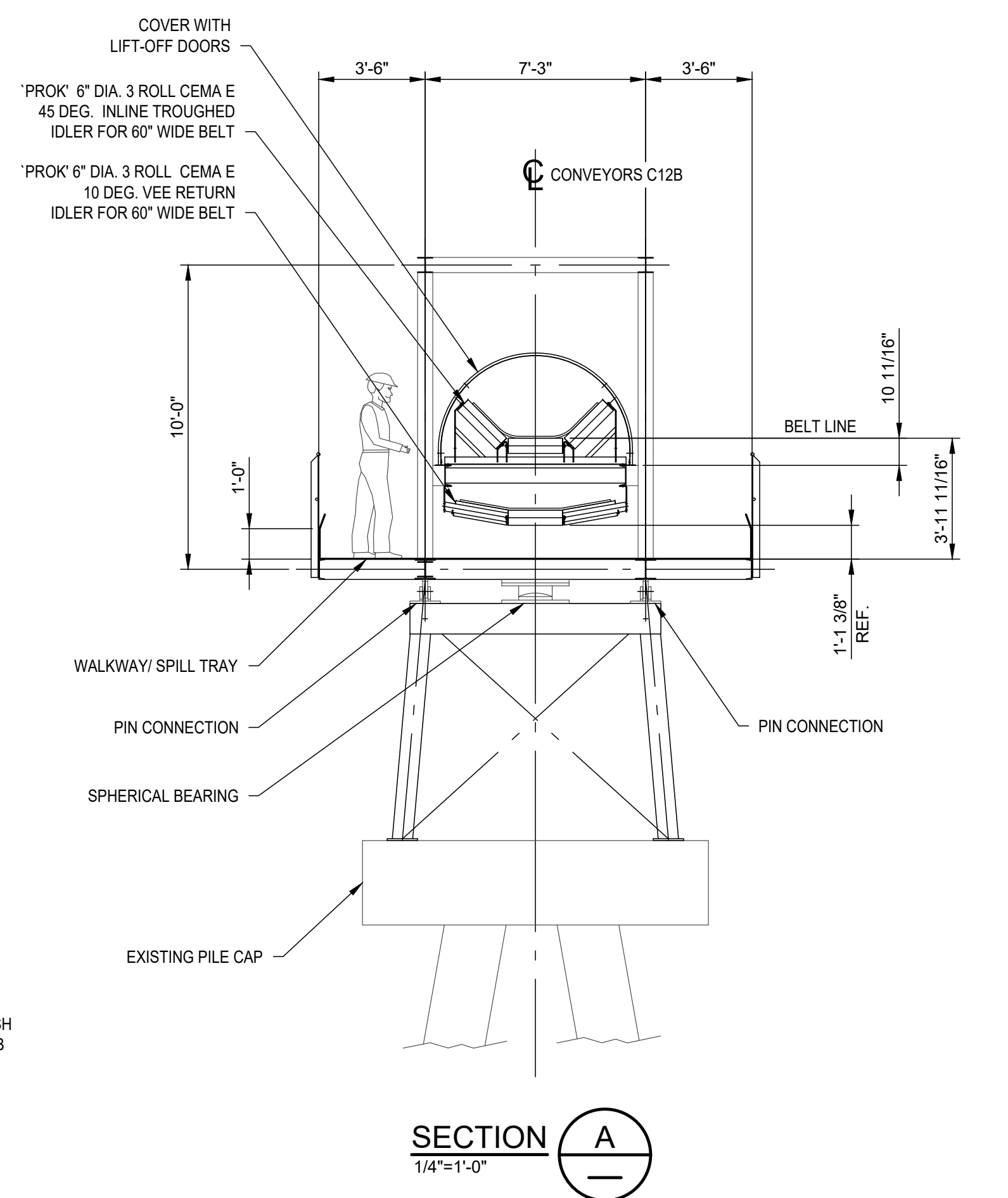
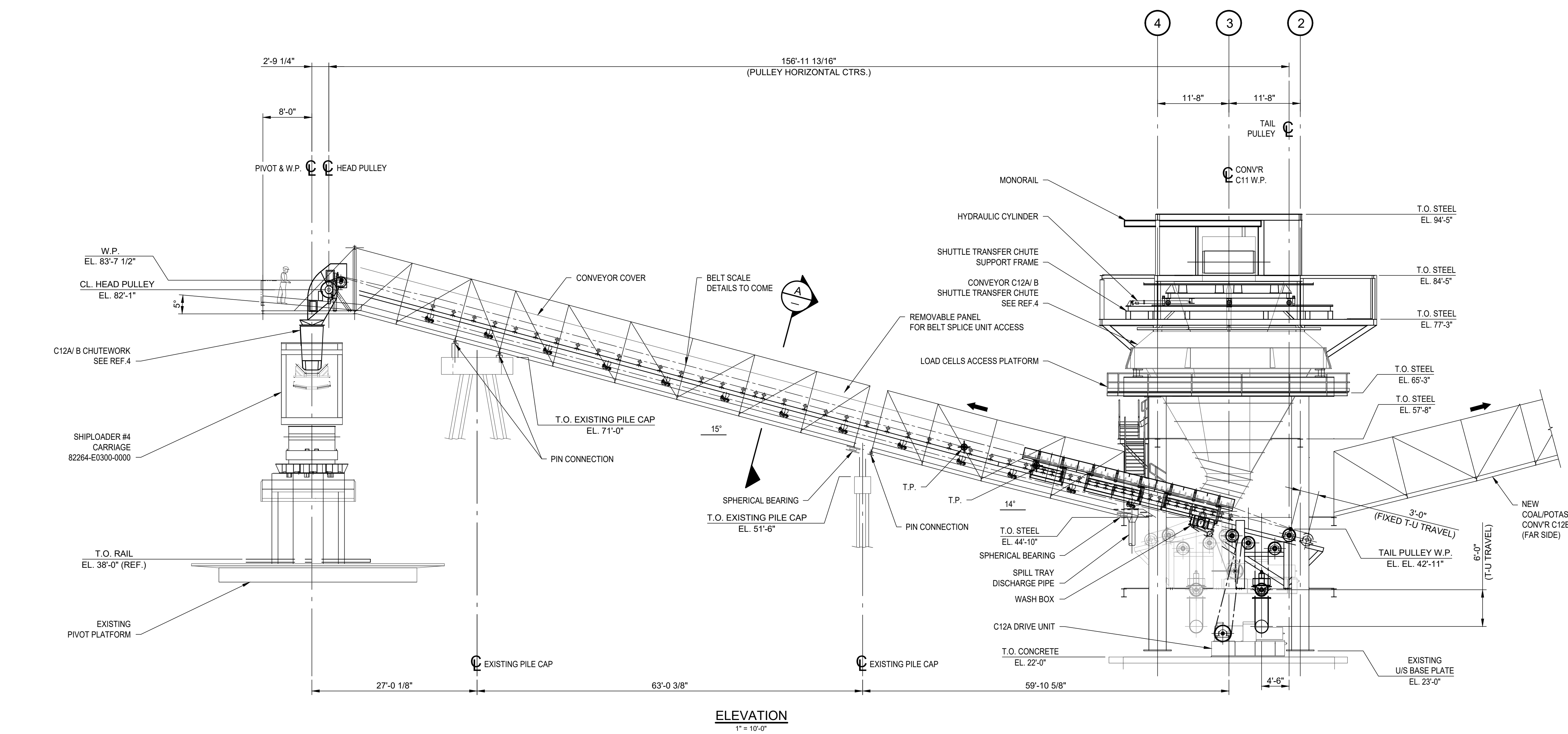
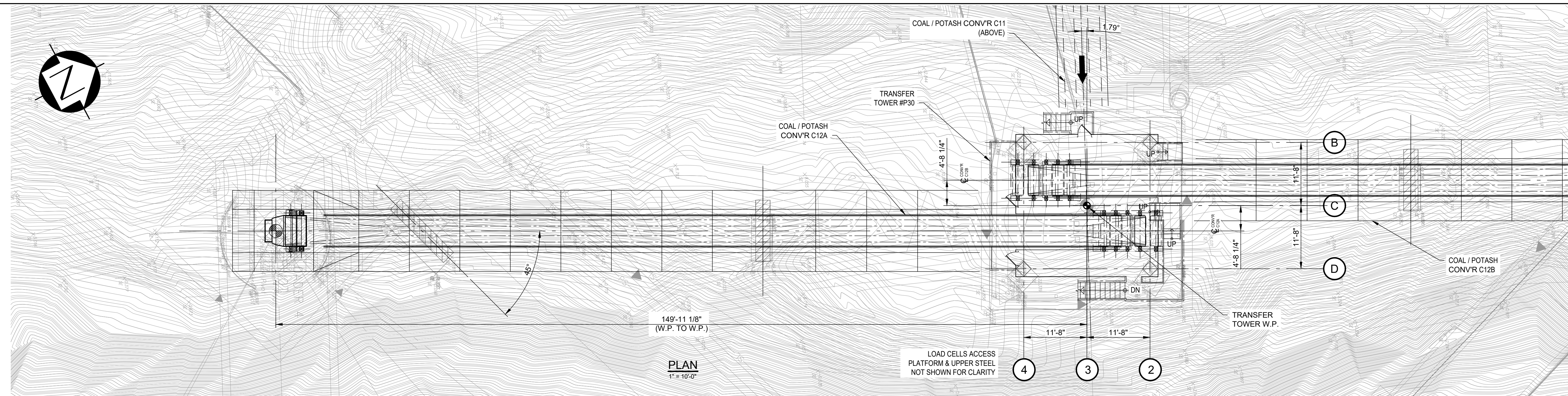
WestshoreTerminals

CWA PROJECT NUMBER: 19899

NEW CARGO STUDY
TRANSFER TOWER #P77
GENERAL ARR'G'T - PLANS - SHT.1

85677-D0300-0000


P5




PRELIMINARY
NOT FOR CONSTRUCTION

FOR PERMIT

REF.	DWG. NUMBER	DESCRIPTION	No.	YYYY-MM-DD	DESCRIPTION	DRAWN	DWG. CHECK	DESIGN	DESIGN CHECK	DISC. APPROVAL	PROJ. APPROVAL
4	82215-D0325-5000	TRANSFER TOWER 30 - C12A / B CHUTEWORK - DETAIL	P4	2021-08-13	RE-ISSUED FOR USE - TRUSS C12A & TOWER 30 UPDATES	ABN		HMP		PMD	AJK
3	82230-D0325-5000	TRANSFER TOWER 30 - SHUTTLE TRANSFER CHUTEWORK - DETAILS	P3	2020-12-15	ISSUED FOR USE - STAGE 2 STUDY	HMP		HMP		PMD	AJK
2	82215-D0300-0010	POTASH CONVEYOR C12A - DATA SHEET	P2	2020-11-27	ISSUED FOR REVIEW	HMP		HMP		PMD	AJK
1	40101-D0000-0000	SITE PLAN	P1	2020-11-13	ISSUED FOR REVIEW	HMP		HMP		PMD	AJK
		REFERENCE DRAWINGS / DESIGN STANDARDS			ISSUES / REVISIONS						



CWA



WestshoreTerminals

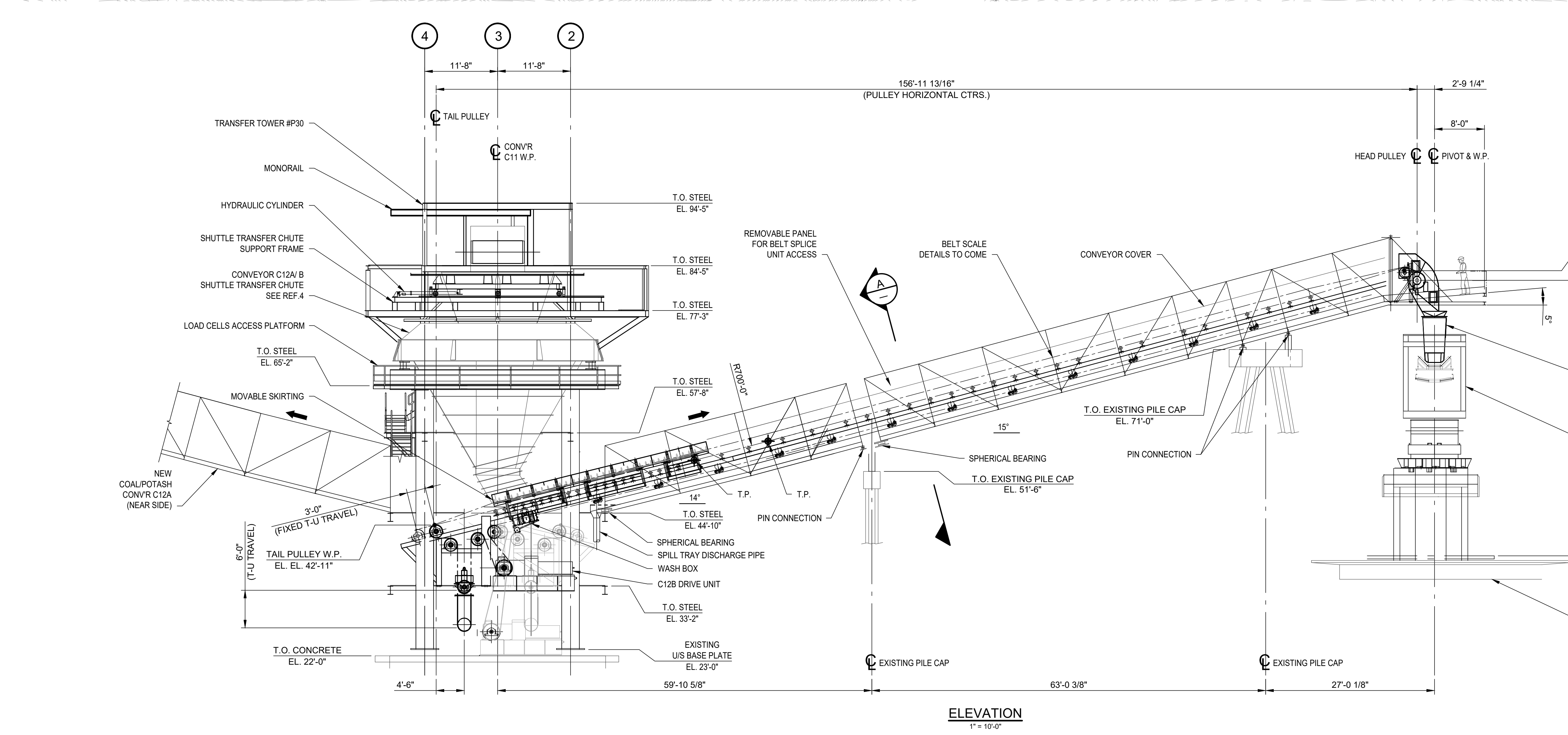
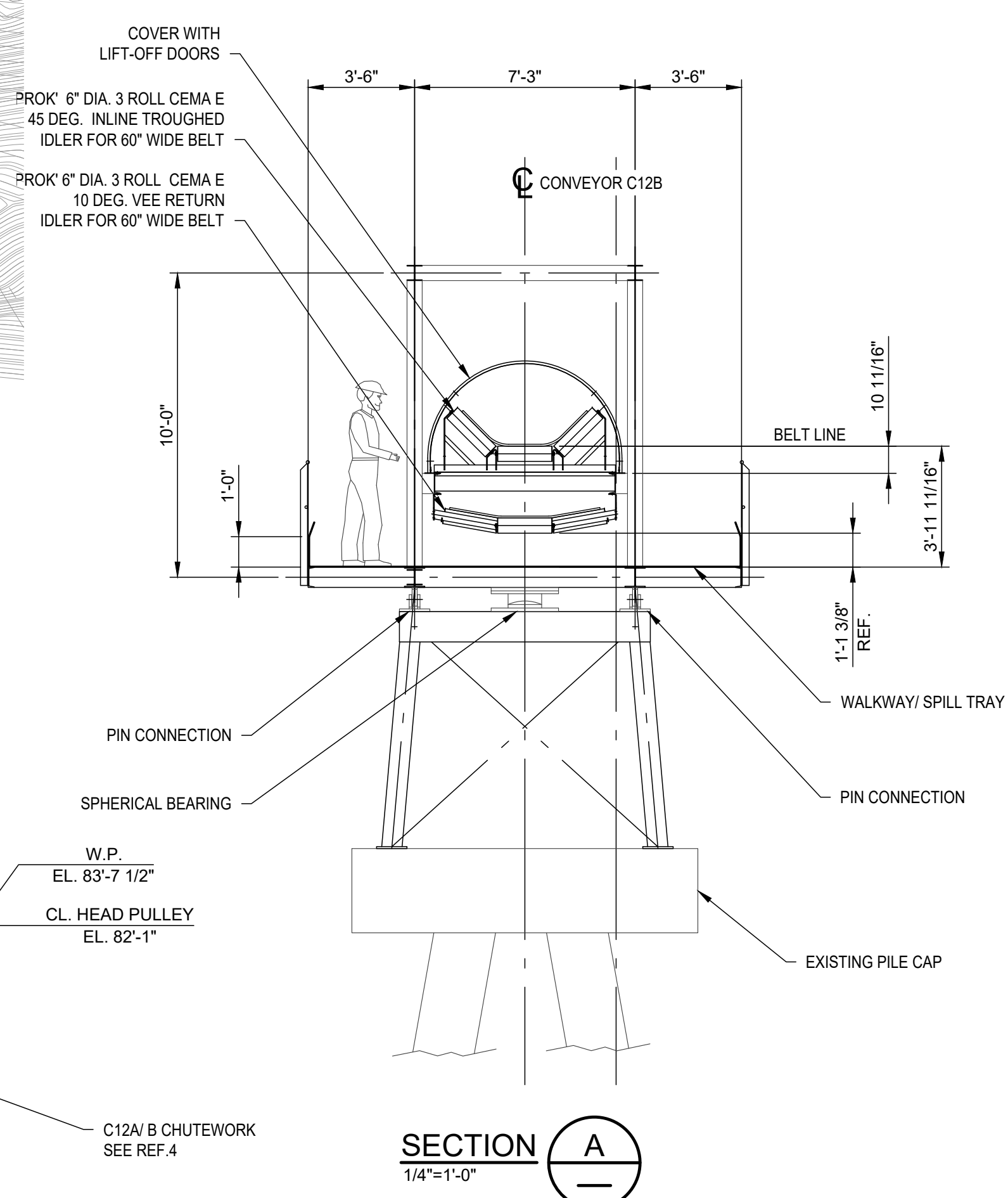
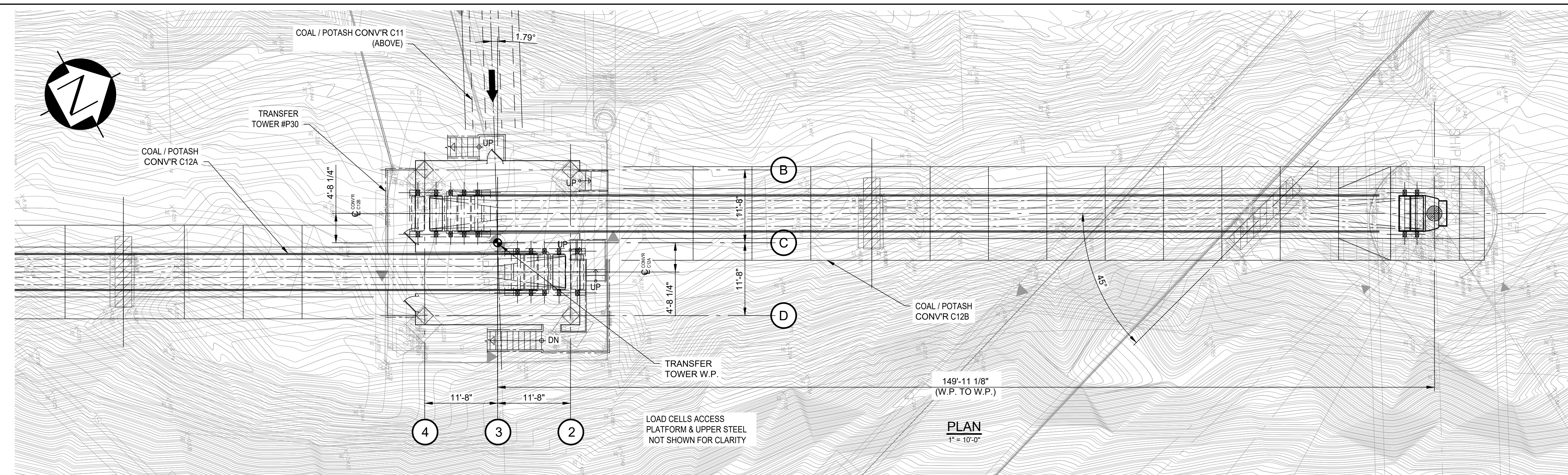
CWA PROJECT NUMBER: 19899

NEW CARGO STUDY
COAL / POTASH CONVEYOR C12A
GENERAL ARRANGEMENT

This drawing has been prepared by CWA Engineers Inc. as an instrument of service and is the exclusive property of CWA. This drawing shall be used solely for the purpose of this project. The client agrees that this drawing shall not be used for purposes other than those intended, and shall hold the engineer harmless for any other such use.

82215-D0300-0000 **P4**

ACAD FILENAME: 82215-D0300-0000
SCALE: AS NOTED
DRAWN BY: HMP



PRELIMINARY
NOT FOR CONSTRUCTION

FOR PERMIT

REF.	DWG. NUMBER	DESCRIPTION	No.	YYYY-MM-DD	DESCRIPTION	DRAWN	DWG. CHECK	DESIGN	DESIGN CHECK	DISC. APPROVAL	PROJ. APPROVAL
		REFERENCE DRAWINGS / DESIGN STANDARDS			ISSUES / REVISIONS						
4	82215-D0325-5000	TRANSFER TOWER 30 - C12A/B CHUTEWORK - DETAIL	P5	2021-08-13	RE-ISSUED FOR USE - TRUSS C12B & TOWER 30 UPDATES	ABN		HMP		PMD	AJK
3	82230-D0325-5000	TRANSFER TOWER 30 - SHUTTLE TRANSFER CHUTEWORK - DETAILS	P4	2020-12-15	ISSUED FOR USE - STAGE 2 STUDY	HMP		HMP		PMD	AJK
2	82216-D0300-0010	POTASH CONVEYOR C12B - DATA SHEET	P3	2020-11-27	ISSUED FOR REVIEW	HMP		HMP		PMD	AJK
1	40101-D0000-0000	SITE PLAN	P2	2020-11-13	ISSUED FOR REVIEW	HMP		HMP		PMD	AJK
			P1	2020-07-17	ISSUED FOR STAGE 1 REVIEW	HMP		DCC		PMD	AJK

CWA

CWA PROJECT NUMBER: 19899

NEW CARGO STUDY
COAL / POTASH CONVEYOR C12B
GENERAL ARRANGEMENT

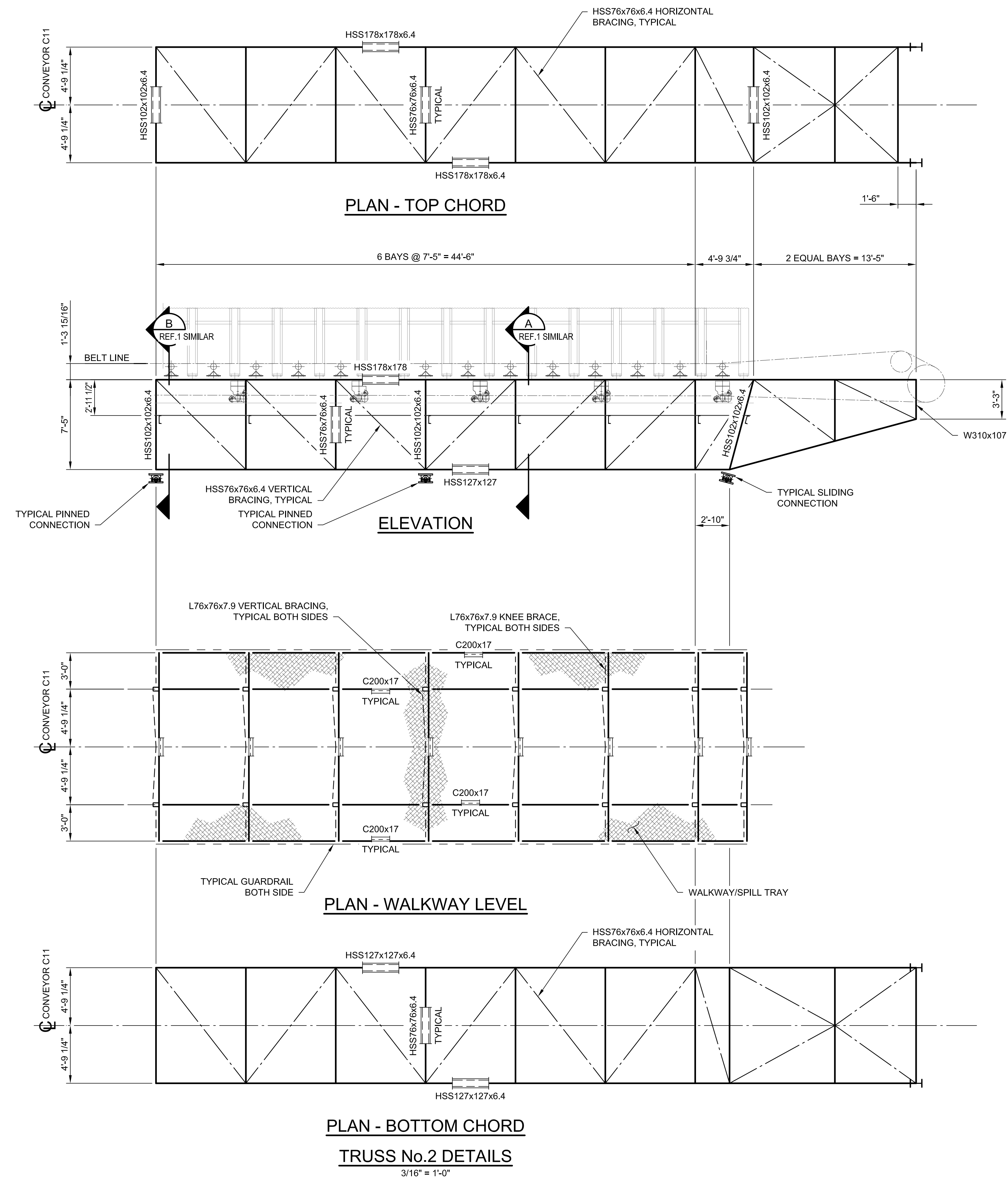
82216-D0300-0000

WestshoreTerminals

82216-D0300-0000

P5

This drawing has been prepared by CWA Engineers Inc. as an instrument of service and is the exclusive property of CWA. This drawing shall be used solely for the purpose of this project. The client agrees that this drawing shall not be used for purposes other than those intended, and shall hold the engineer harmless for any other such use.



PRELIMINARY
NOT FOR CONSTRUCTION

FOR PERMIT



Westshore Terminals
CWA PROJECT NUMBER: 19899

This drawing has been prepared by CWA Engineers Inc. as an instrument of service and is the exclusive property of CWA. This drawing shall be used solely for the purpose of this project. The client agrees that this drawing shall not be used for purposes other than those intended, and shall hold the engineer harmless for any other such use.

NEW CARGO STUDY
CONVEYOR C11
TRUSS DETAILS - SHEET 2

82214-D0320-0101 **P5**

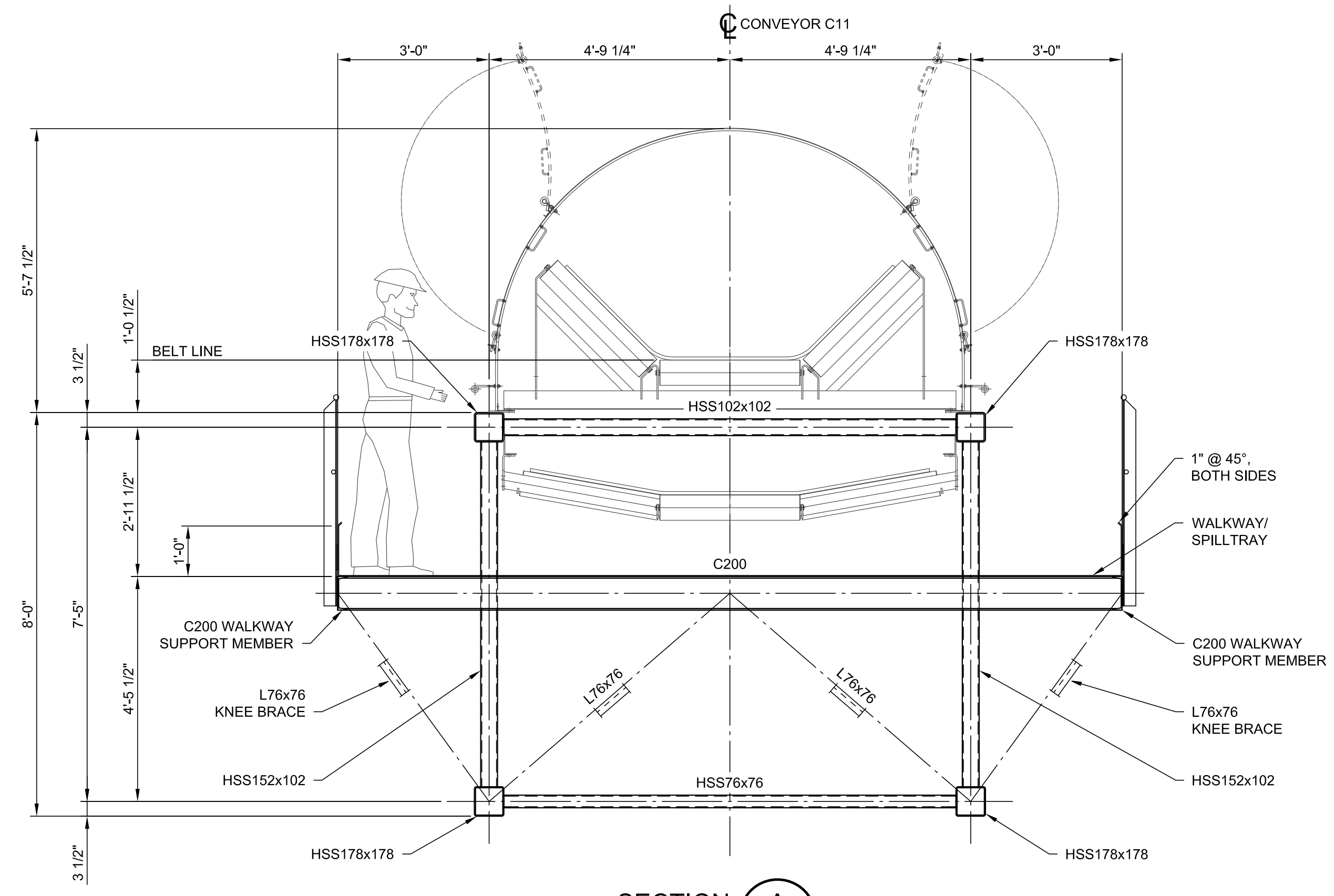
REF.	DWG. NUMBER	DESCRIPTION	No.	YYYY-MM-DD	DESCRIPTION	DRAWN	DWG. CHECK	DESIGN	DESIGN CHECK	DISC. APPROVAL	PROJ. APPROVAL
		REFERENCE DRAWINGS / DESIGN STANDARDS			ISSUES / REVISIONS						
2	82214-D0300-0000	NEW CARGO STUDY - CONVEYOR C11 - GENERAL ARRANGEMENT	P5	2020-08-26	RE-ISSUED FOR USE - NEW CARGO STUDY	DJC	-	DJC	-	AMG	AJK
			P4	2021-04-27	ISSUED FOR REVIEW	CPL	-	DJC	-	AMG	AJK
			P3	2020-12-15	ISSUED FOR USE - STAGE 2 STUDY	CPL	-	DJC	-	AMG	AJK
			P2	2020-11-27	ISSUED FOR REVIEW	CPL	-	DJC	-	AMG	AJK
1	82214-D0320-0102	NEW CARGO STUDY - CONVEYOR C11 - SECTIONS AND DETAILS	P1	2020-11-06	ISSUED FOR REVIEW	CPL	-	DJC	-	AMG	AJK

DRAWN BY: CPL

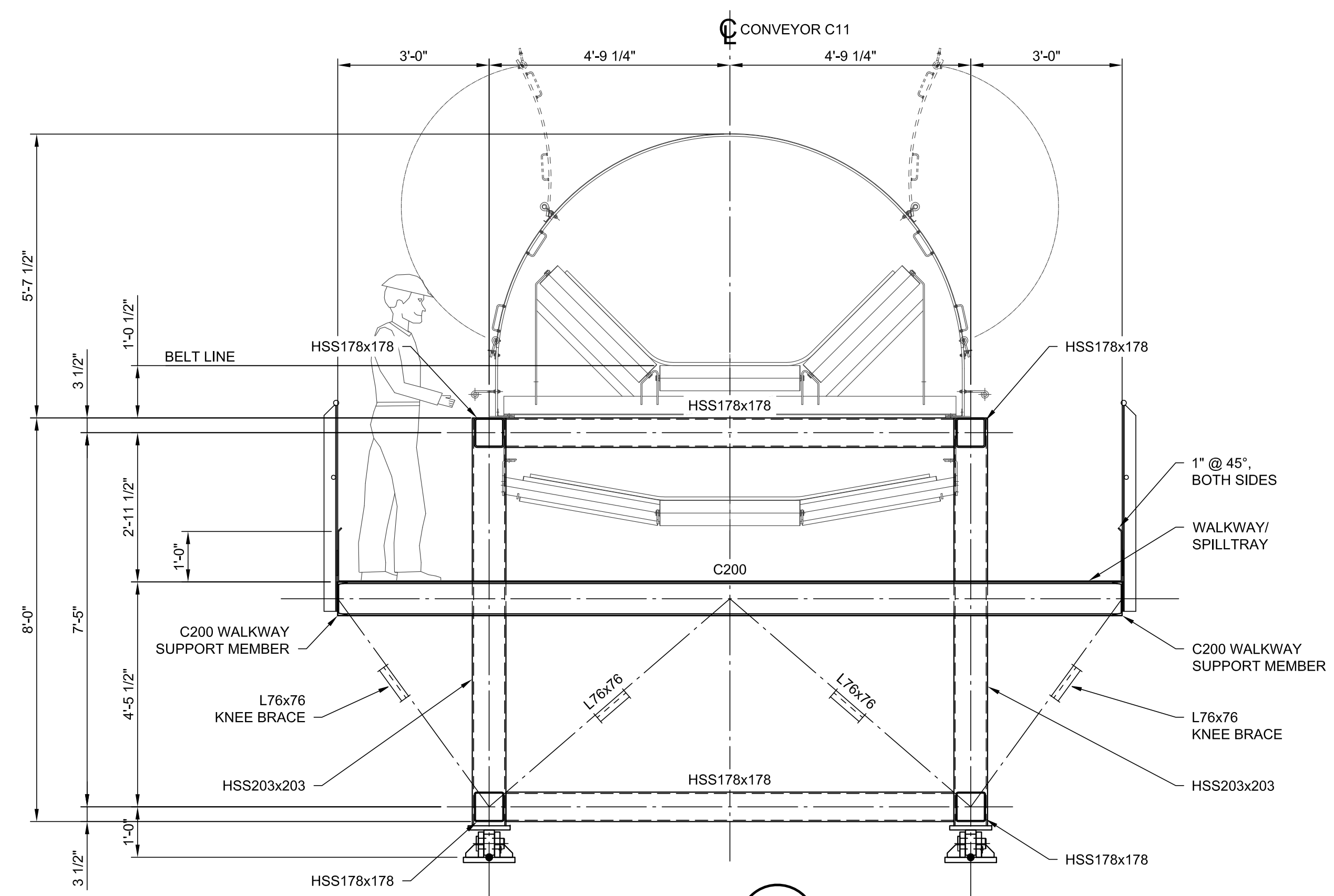
SCALE: AS NOTED

ACAD FILENAME: 82214-D0320-0100

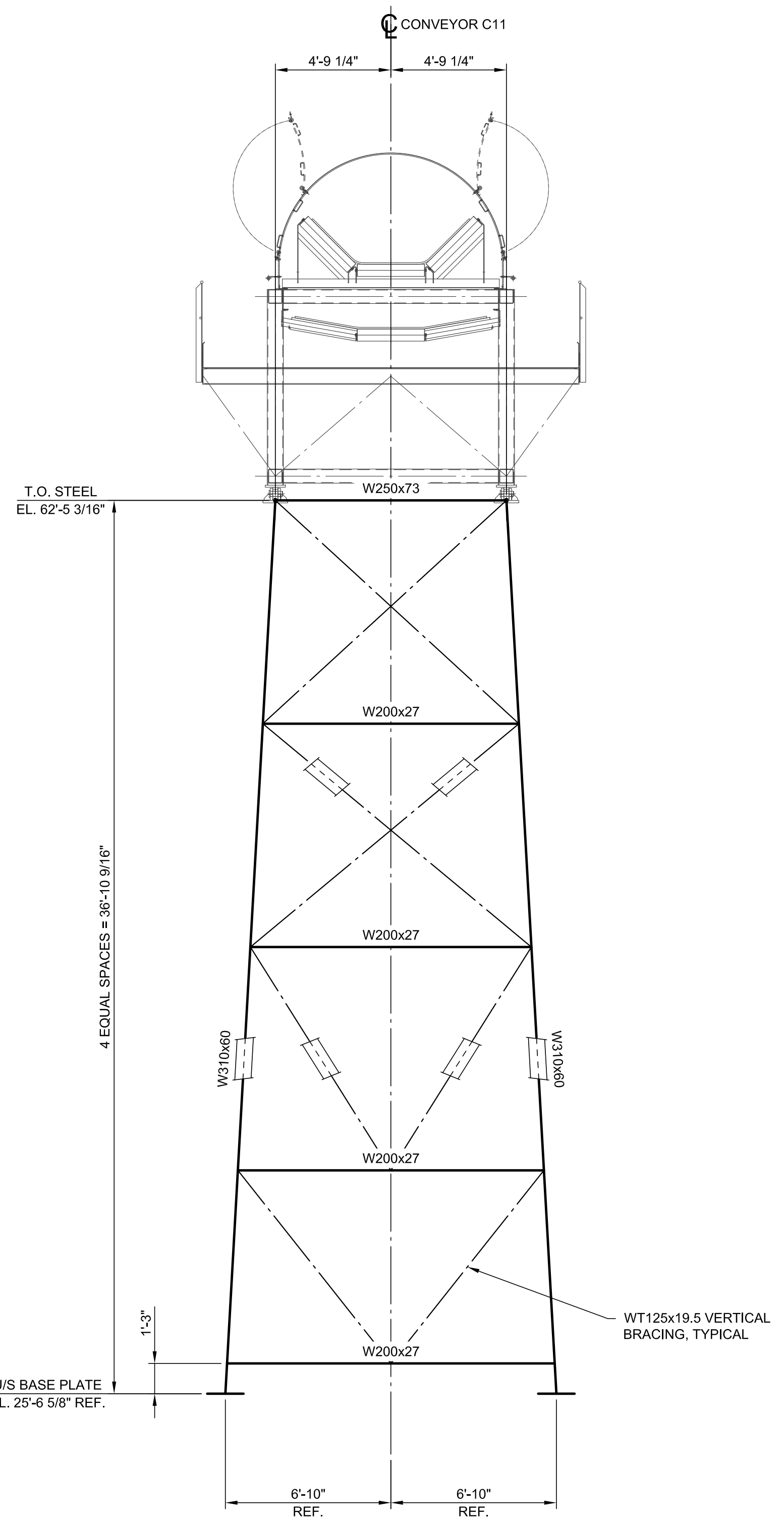
REV.



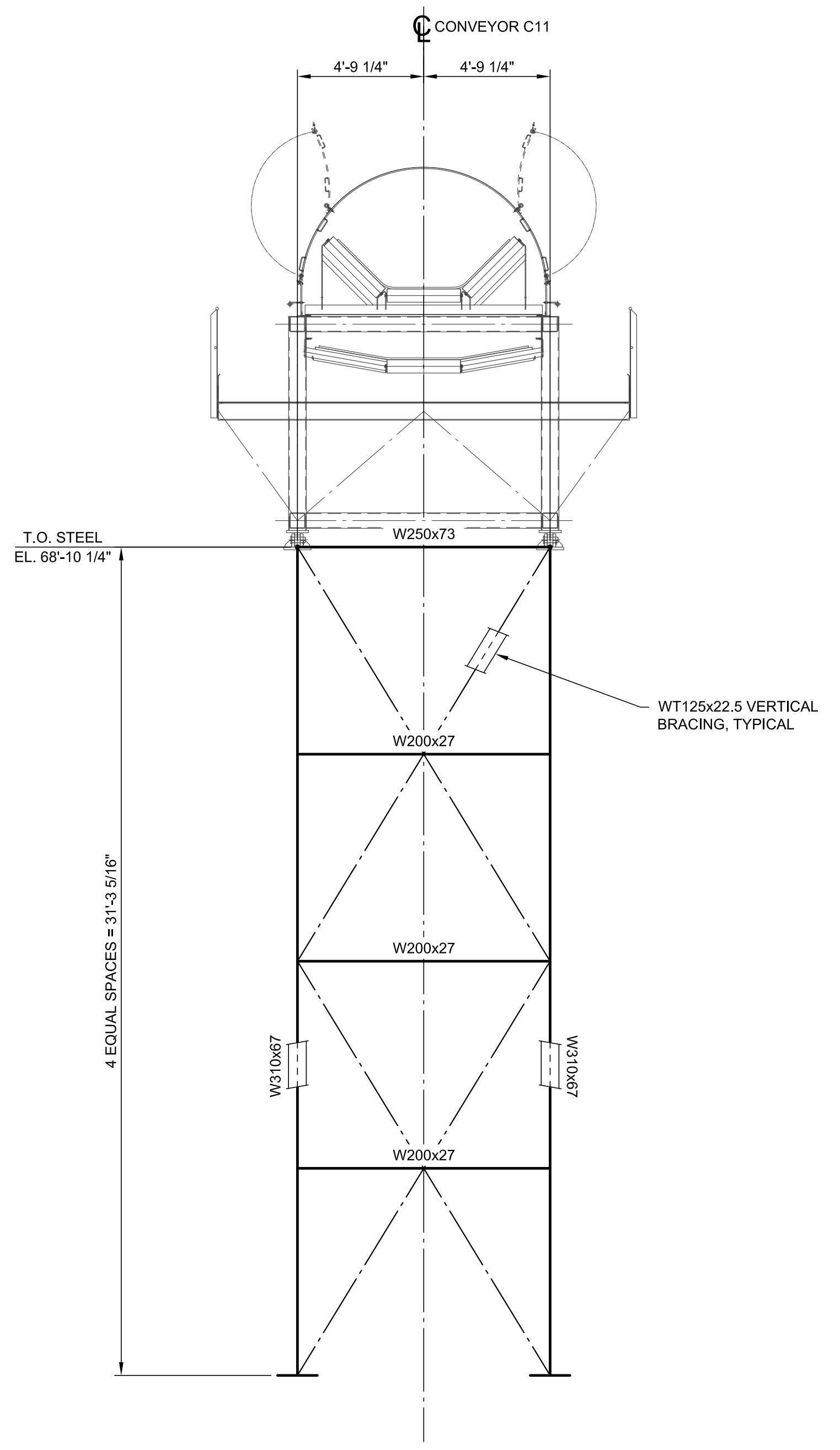
SECTION A
1/2" = 1'-0"
REF. 1/2



SECTION B
1/2" = 1'-0"
REF. 1/2



CONVEYOR C11 BENT DETAILS
1/4" = 1'-0"



CONVEYOR C11 DIAGONAL BENT DETAILS
1/4" = 1'-0"

SECTION C
1/4" = 1'-0"
REF. 3

PRELIMINARY
NOT FOR CONSTRUCTION

FOR PERMIT

REF.	DWG. NUMBER	DESCRIPTION	No.	YYYY-MM-DD	DESCRIPTION	DRAWN	DWG. CHECK	DESIGN	DESIGN CHECK	DISC. APPROVAL	PROJ. APPROVAL
		REFERENCE DRAWINGS / DESIGN STANDARDS			ISSUES / REVISIONS						
			P5	2020-08-26	RE-ISSUED FOR USE - NEW CARGO STUDY	DJC	-	DJC	-	AMG	AJK
			P4	2021-04-27	ISSUED FOR REVIEW	CPL	-	DJC	-	AMG	AJK
3	82214-D0300-0000	COAL / POTASH CONVEYOR C11 - GENERAL ARRANGEMENT - OPTION 2	P3	2020-12-15	ISSUED FOR USE - STAGE 2 STUDY	CPL	-	DJC	-	AMG	AJK
2	82214-D0320-0101	NEW CARGO STUDY - CONVEYOR C11 - TRUSS DETAILS - SHEET 2	P2	2020-11-27	ISSUED FOR REVIEW	CPL	-	DJC	-	AMG	AJK
1	82214-D0320-0100	NEW CARGO STUDY - CONVEYOR C11 - TRUSS DETAILS - SHEET 1	P1	2020-11-06	ISSUED FOR REVIEW	CPL	-	DJC	-	AMG	AJK

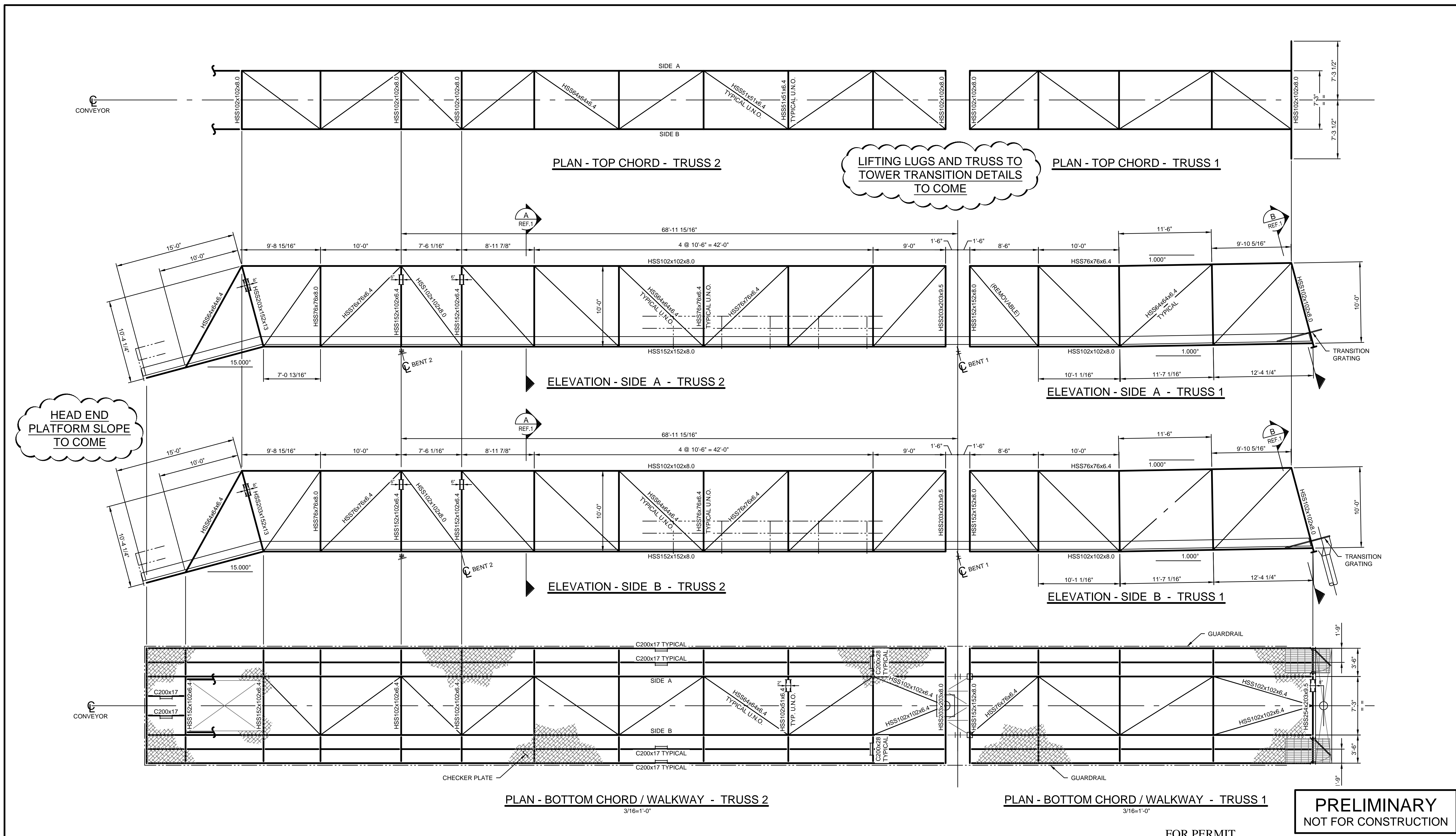


Westshore Terminals
CWA PROJECT NUMBER: 19899

This drawing has been prepared by CWA Engineers Inc. as an instrument of service and is the exclusive property of CWA. This drawing shall be used solely for the purpose of this project. The client agrees that this drawing shall not be used for purposes other than those intended, and shall hold the engineer harmless for any other such use.

NEW CARGO STUDY
CONVEYOR C11
SECTIONS AND DETAILS
82214-D0320-0102

P5



PRELIMINARY
NOT FOR CONSTRUCTION

FOR PERMIT

REF.	DWG. NUMBER	DESCRIPTION	No.	YYYY-MM-DD	DESCRIPTION	DRAWN	DWG. CHECK	DESIGN	DESIGN CHECK	DISC. APPROVAL	PROJ. APPROVAL
1	82215-D0320-0101	COAL / POTASH CONVEYOR #C12A - TRUSS DETAILS SHEET 2	P5	2021-08-26	RE-ISSUED FOR USE - NEW CARGO STUDY	DJC		DJC		AMG	AJK
			P4	2021-04-27	ISSUED FOR REVIEW	CPL		JMA		AMG	AJK
			P3	2020-12-15	ISSUED FOR USE - STAGE 2 STUDY	HRS		MYW		AMG	AJK
			P2	2020-11-27	ISSUED FOR REVIEW	HRS		DJC		AMG	AJK
			P1	2020-11-20	ISSUED FOR REVIEW	HRS		DJC		AMG	AJK

CWA

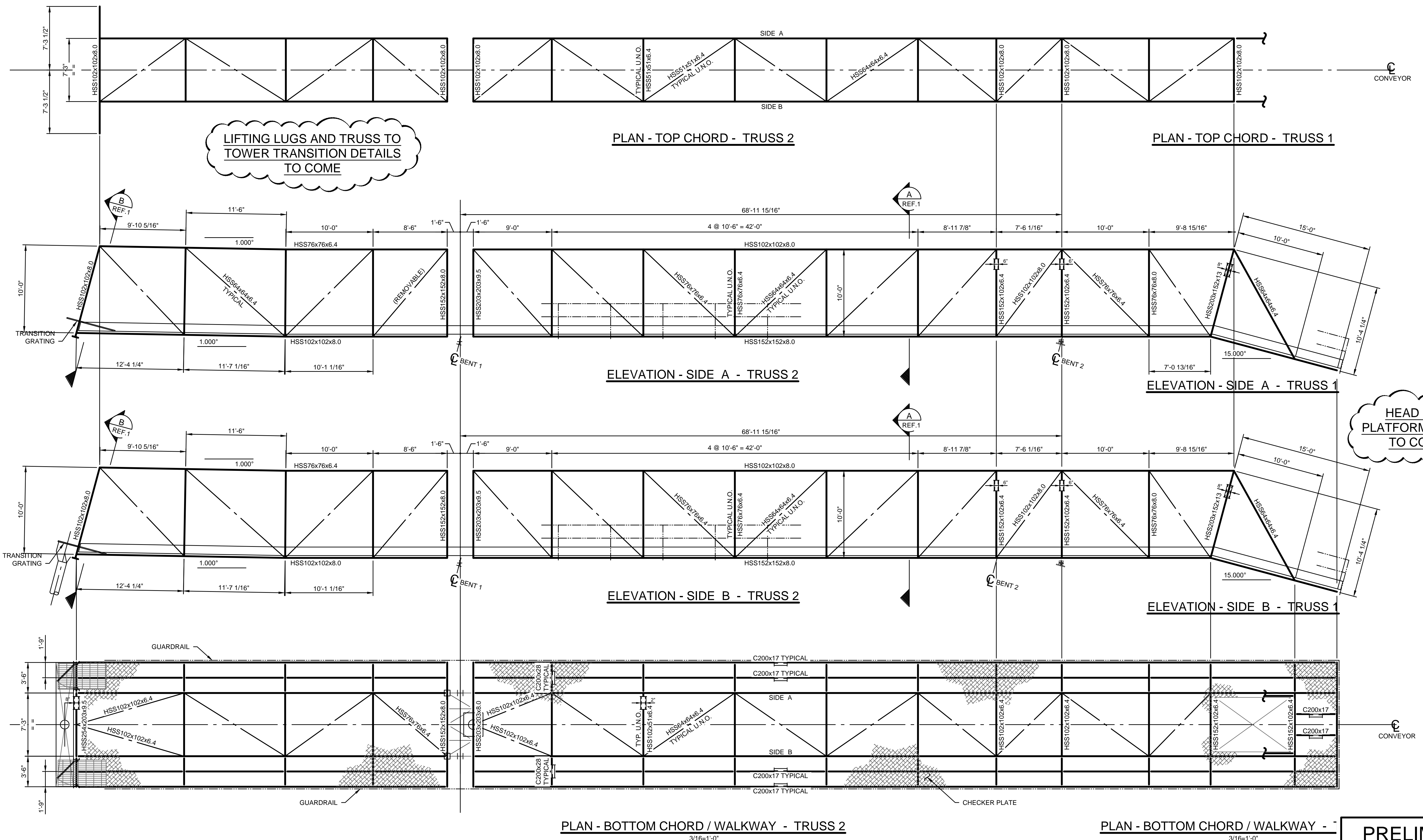
This drawing has been prepared by CWA Engineers Inc. as an instrument of service and is the exclusive property of CWA. This drawing shall be used solely for the purpose of this project. The client agrees that this drawing shall not be used for purposes other than those intended, and shall hold the engineer harmless for any other such use.

WestshoreTerminals

CWA PROJECT NUMBER: 19899

NEW CARGO STUDY
COAL / POTASH CONVEYOR C12A
TRUSS DETAILS - SHEET 1

82215-D0320-0100



HEAD END PLATFORM SLOPE TO COME

LIFTING LUGS AND TRUSS TO TOWER TRANSITION DETAILS TO COME

PRELIMINARY
NOT FOR CONSTRUCTION

FOR PERMIT

REF.	DWG. NUMBER	DESCRIPTION	No.	YYYY-MM-DD	DESCRIPTION	ISSUES / REVISIONS	DRAWN	DWG. CHECK	DESIGN	DESIGN CHECK	DISC. APPROVAL	PROJ. APPROVAL
1	82216-D0320-0101	COAL / POTASH CONVEYOR #C12B - TRUSS DETAILS SHEET 2	P4	2021-04-27	RE-ISSUED FOR USE - NEW CARGO STUDY		CPL	JMA		AMG	AJK	
			P3	2020-12-15	ISSUED FOR USE - STAGE 2 STUDY		HRS	DJC		AMG	AJK	
			P2	2020-11-27	ISSUED FOR REVIEW		HRS	DJC		AMG	AJK	
			P1	2020-11-20	ISSUED FOR REVIEW		HRS	DJC		AMG	AJK	

CWA

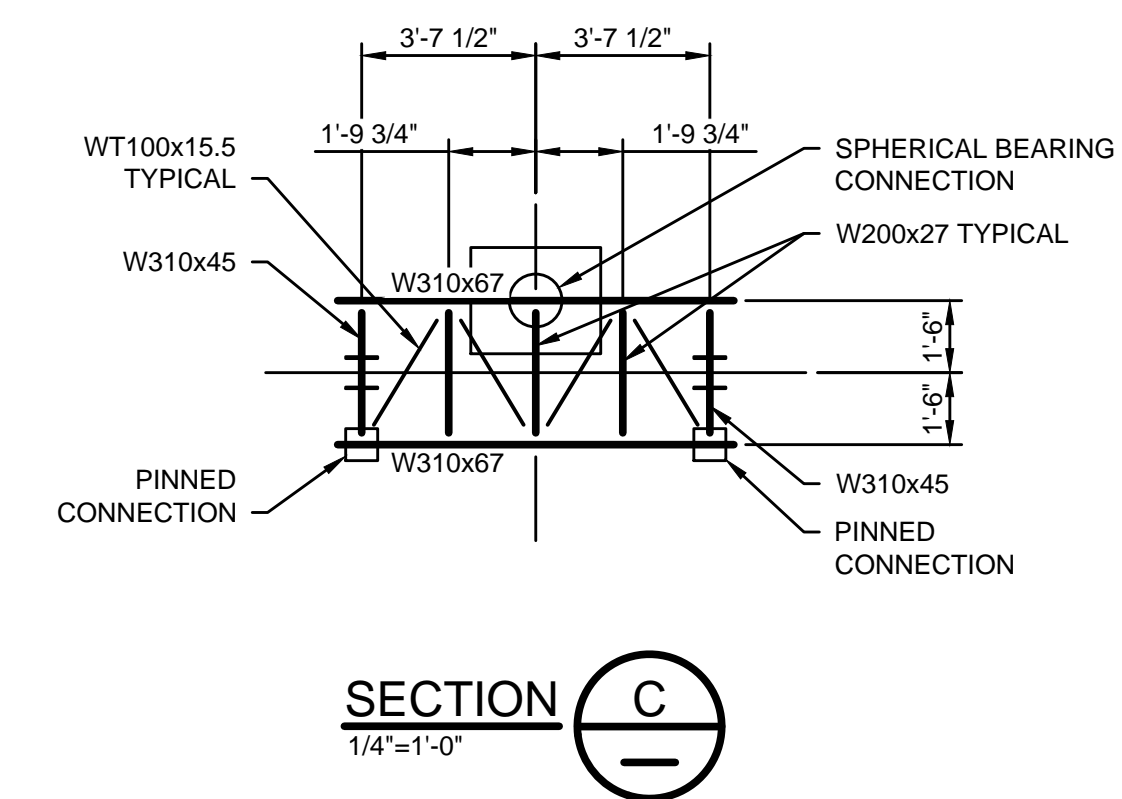
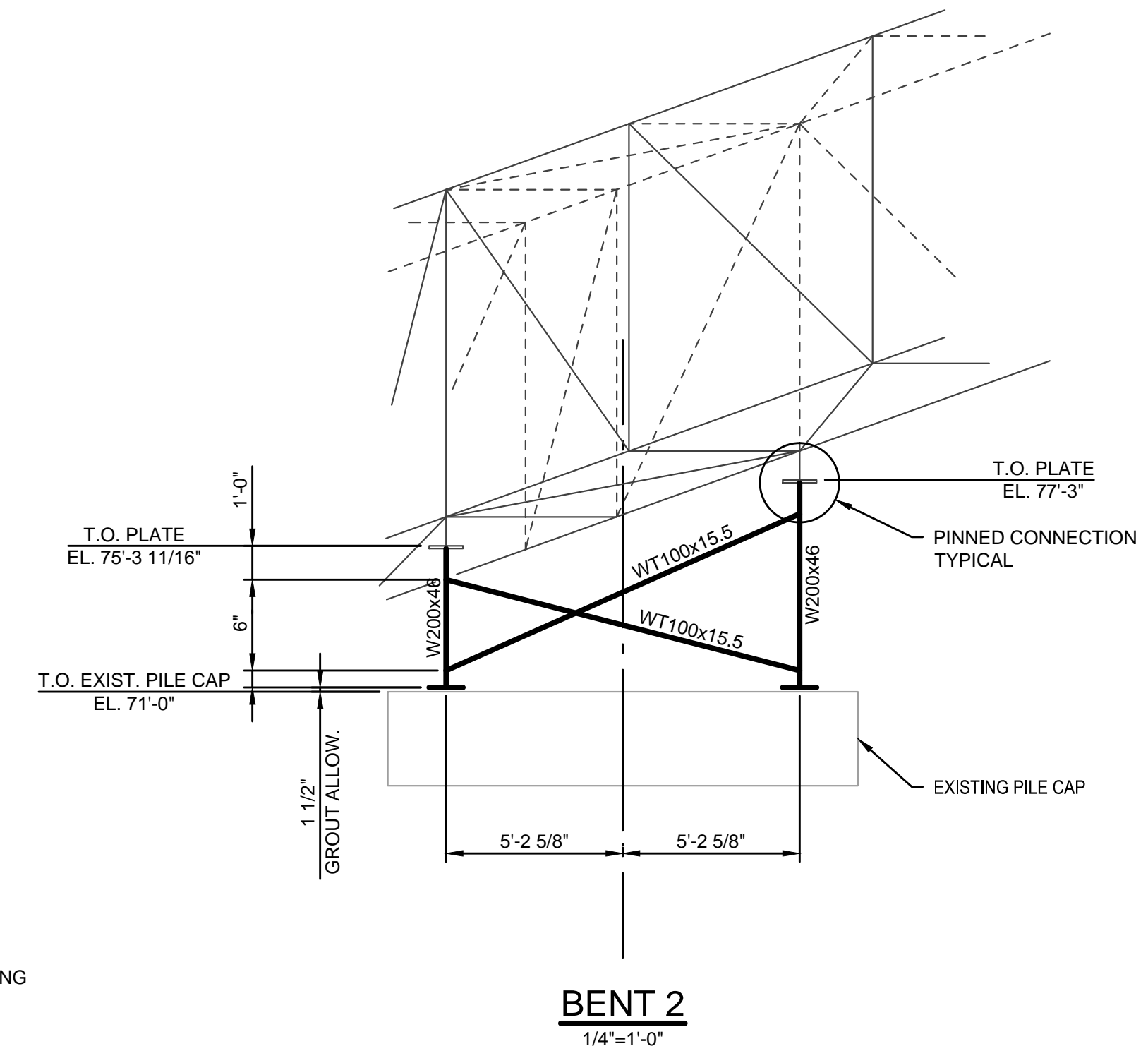
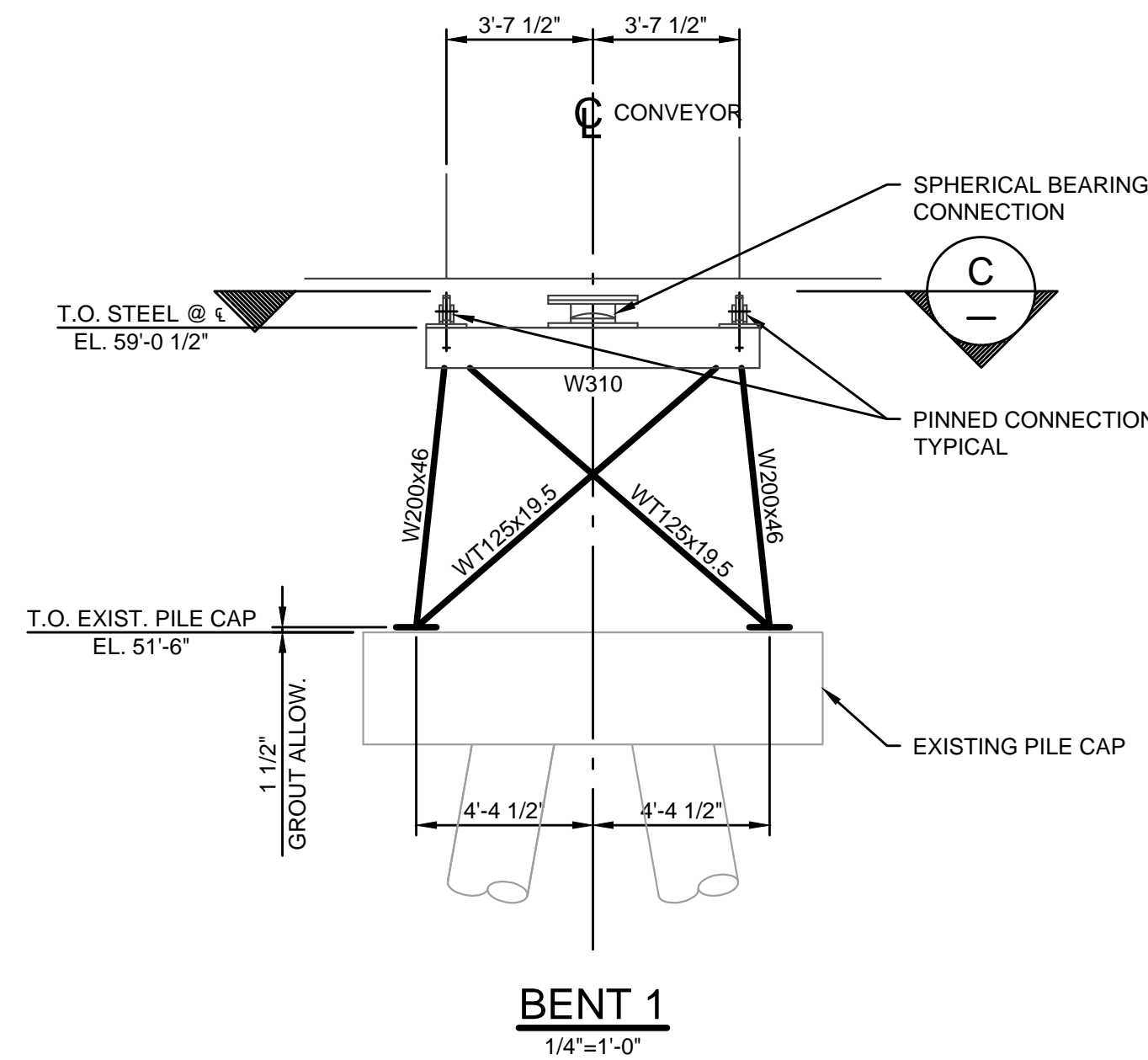
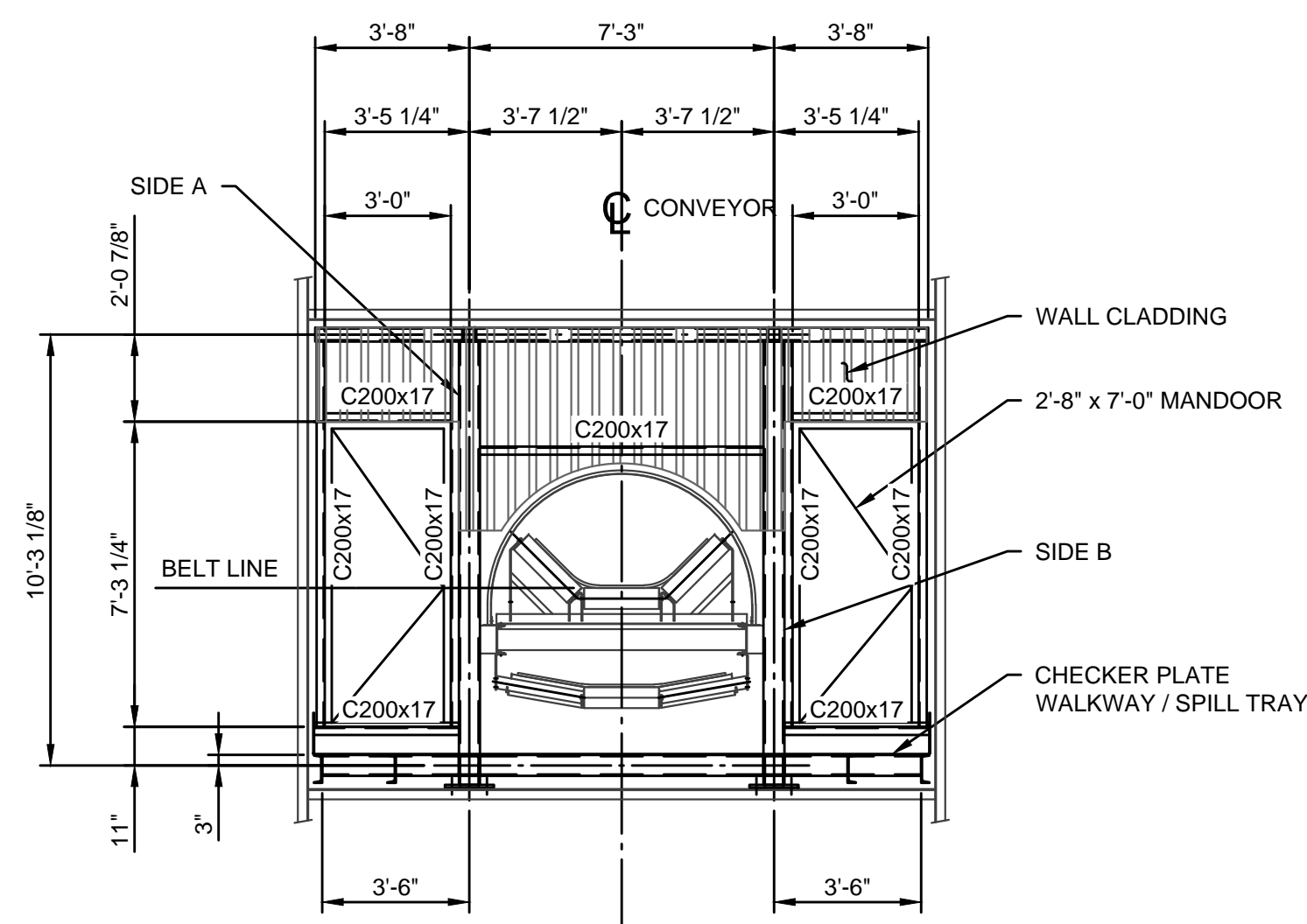
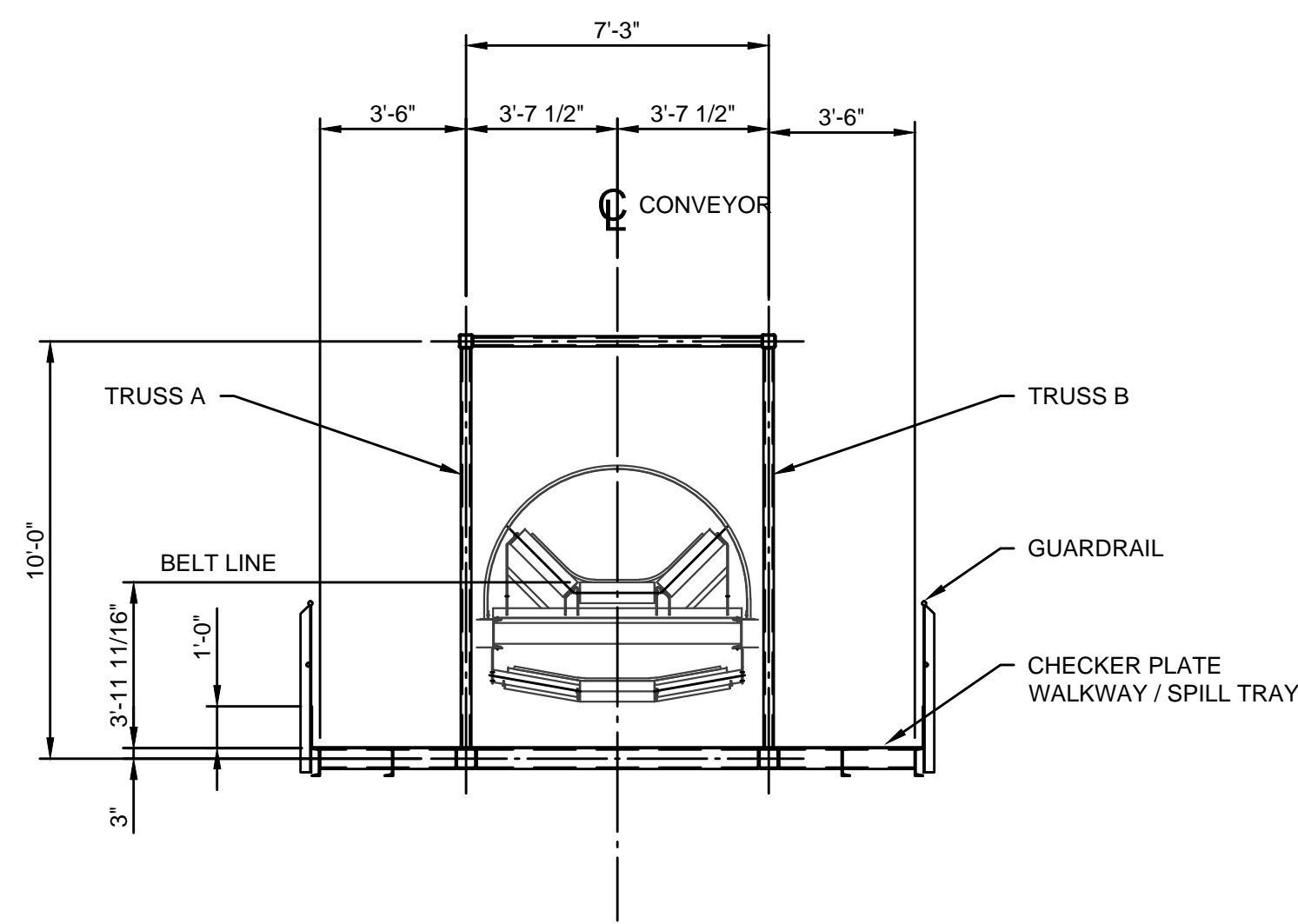
This drawing has been prepared by CWA Engineers Inc. as an instrument of service and is the exclusive property of CWA. This drawing shall be used solely for the purpose of this project. The client agrees that this drawing shall not be used for purposes other than those intended, and shall hold the engineer harmless for any other such use.

WestshoreTerminals

CWA PROJECT NUMBER: 19899

NEW CARGO STUDY
COAL / POTASH CONVEYOR C12B
TRUSS DETAILS - SHEET 1

82216-D0320-0100 P4



PRELIMINARY
NOT FOR CONSTRUCTION

FOR PERMIT

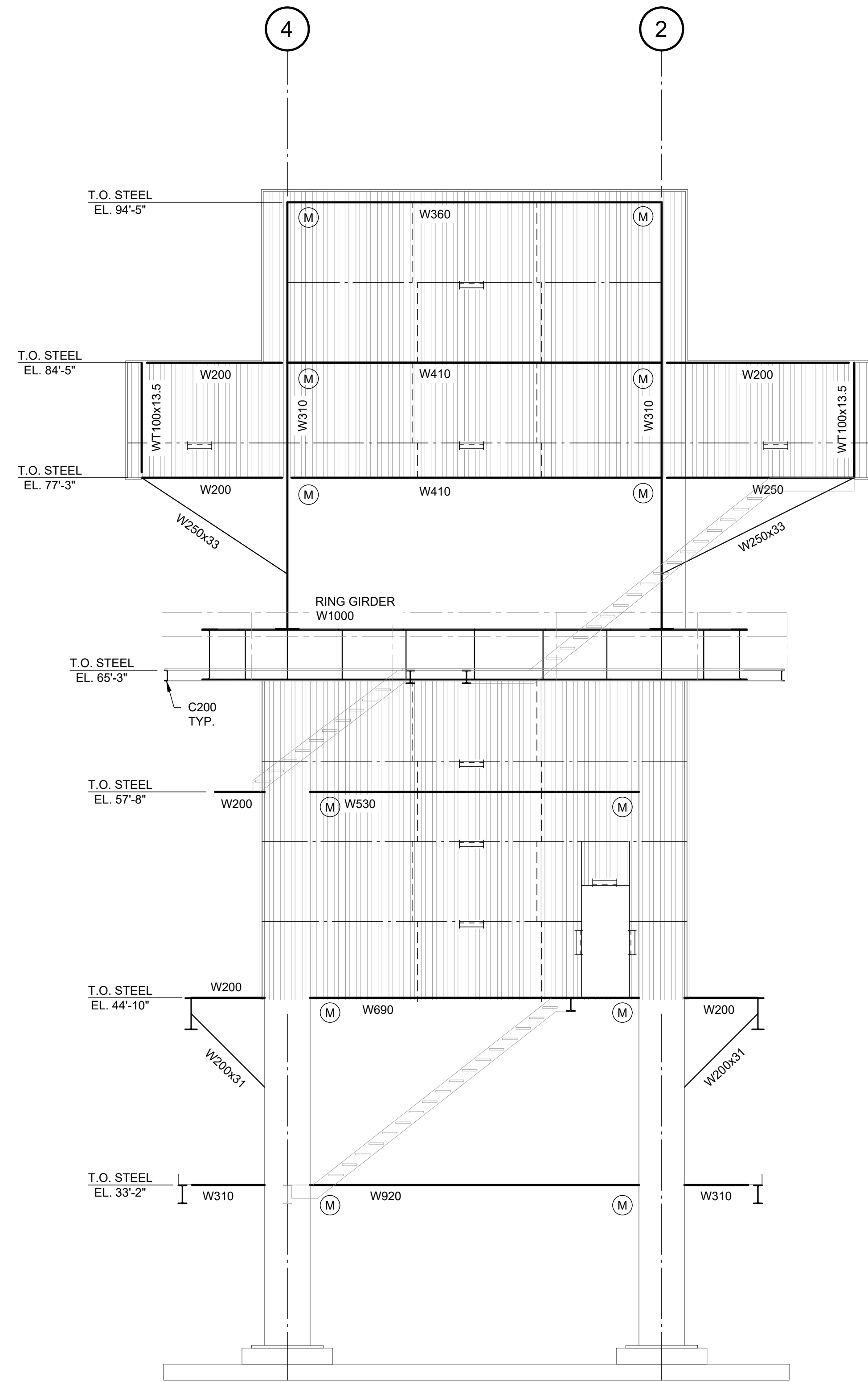
REF.	DWG. NUMBER	DESCRIPTION	No.	YYYY-MM-DD	DESCRIPTION	DRAWN	DWG. CHECK	DESIGN	DESIGN CHECK	DISC. APPROVAL	PROJ. APPROVAL
1	82216-D0320-0100	COAL / POTASH CONVEYOR #C12B - TRUSS DETAILS SHEET 1	P4	2021-08-26	RE-ISSUED FOR USE - NEW CARGO STUDY	DJC		DJC		AMG	AJK
			P3	2021-04-27	ISSUED FOR REVIEW	CPL		JMA		AMG	AJK
			P2	2020-12-15	ISSUED FOR USE - STAGE 2 STUDY	HRS		DJC		AMG	AJK
			P1	2020-11-20	ISSUED FOR REVIEW	HRS		DJC		AMG	AJK

This drawing has been prepared by CWA Engineers Inc. as an instrument of service and is the exclusive property of CWA. This drawing shall be used solely for the purpose of this project. The client agrees that this drawing shall not be used for purposes other than those intended, and shall hold the engineer harmless for any other such use.

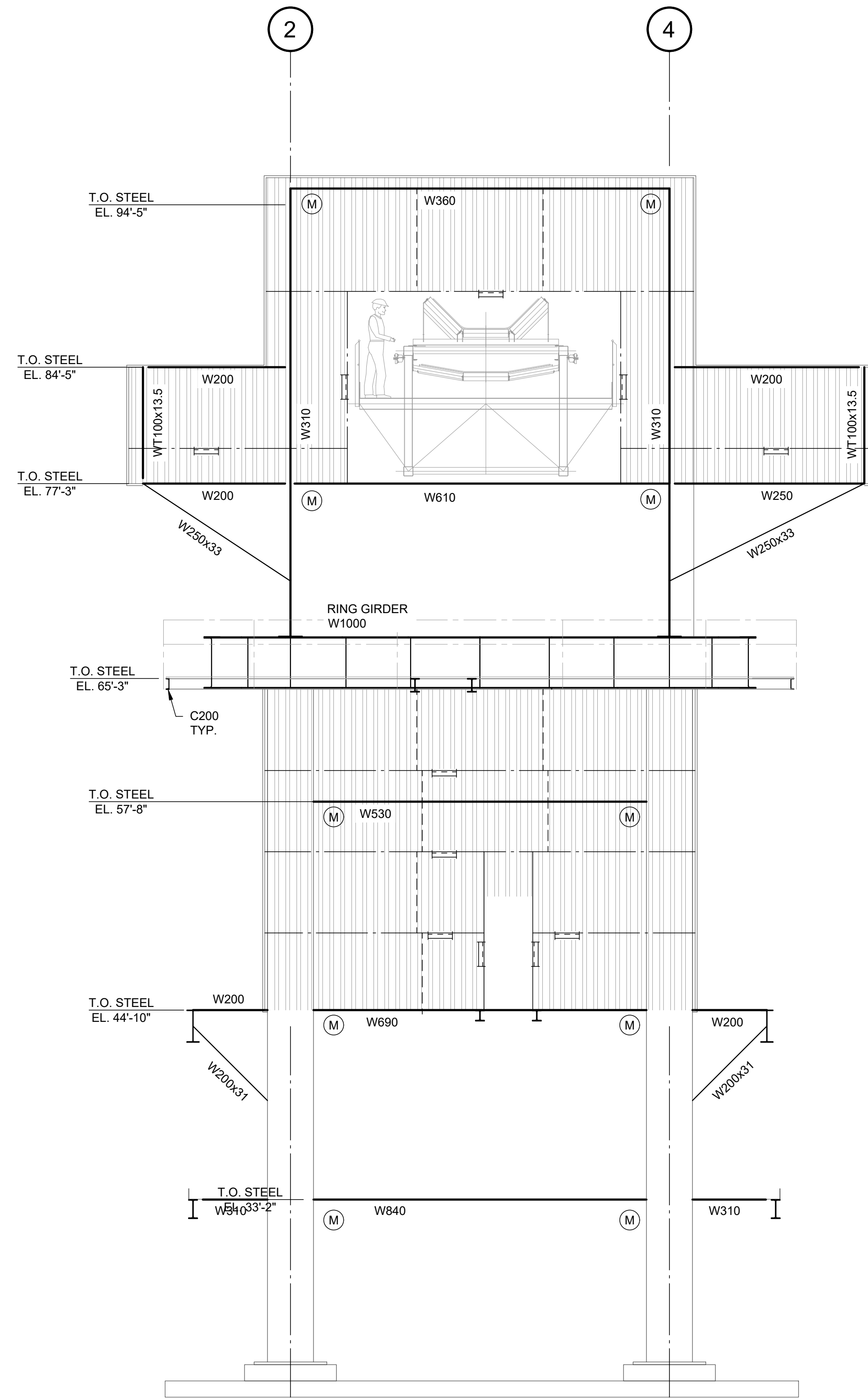
CWA PROJECT NUMBER: 19899

NEW CARGO STUDY
COAL / POTASH CONVEYOR C12B
TRUSS DETAILS - SHEET 2

82216-D0320-0101 P4



ELEVATION LINE D
3/16" = 1'-0"
LOOKING WEST



ELEVATION LINE B
3/16" = 1'-0"
LOOKING EAST

NOTES:

1. (M) DENOTES MOMENT CONNECTION. CONNECTION DESIGN FORCE TO COME.

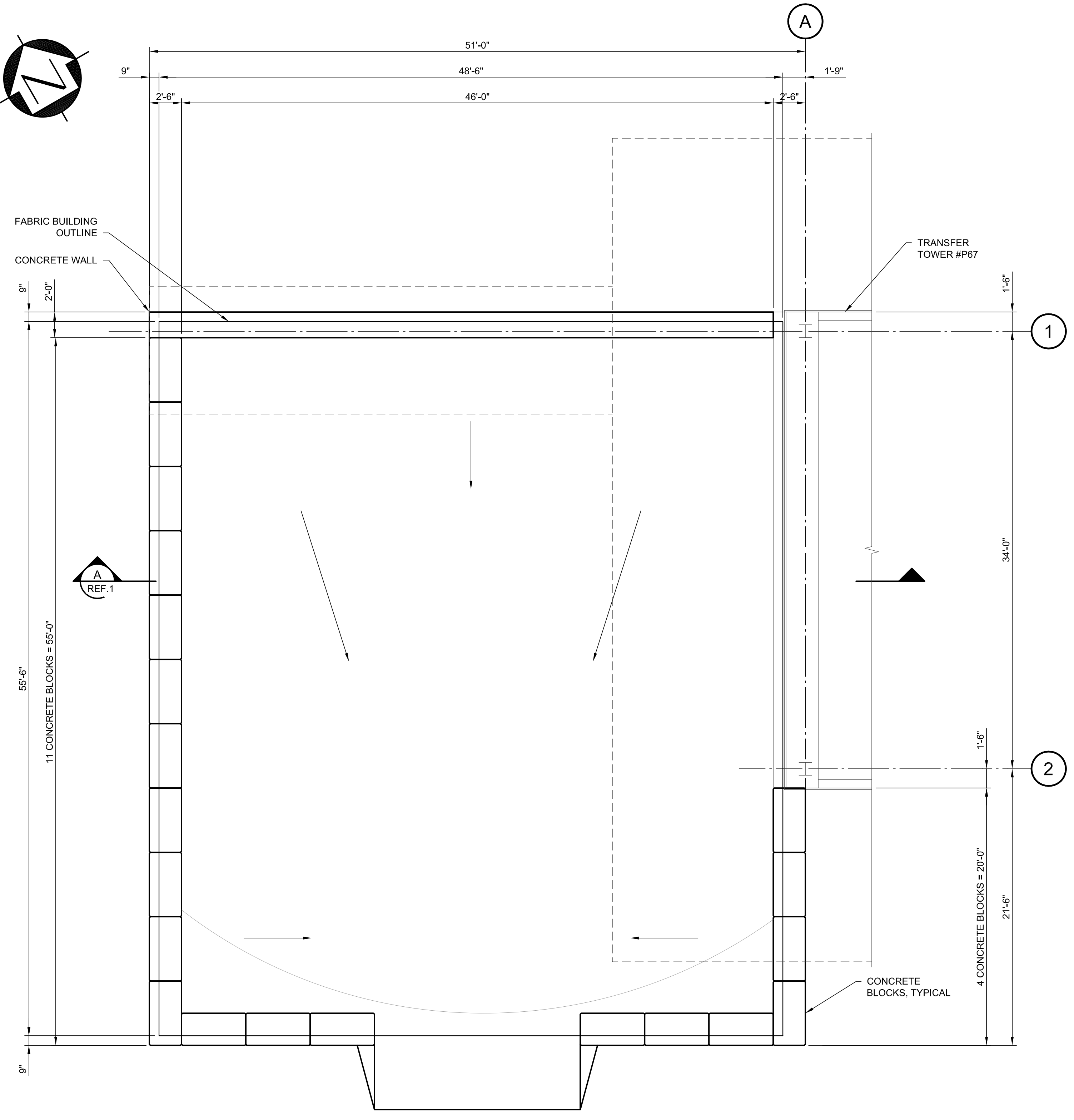
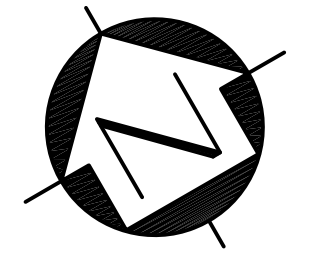
PRELIMINARY
NOT FOR CONSTRUCTION

FOR PERMIT

REF.	DWG. NUMBER	DESCRIPTION	No.	YYYY-MM-DD	DESCRIPTION	DRAWN	DWG. CHECK	DESIGN	DESIGN CHECK	DISC. APPROVAL	PROJ. APPROVAL
		REFERENCE DRAWINGS / DESIGN STANDARDS			ISSUES / REVISIONS						
			P3	2021-08-26	RE-ISSUED FOR USE - NEW CARGO STUDY	CPL		MYW		AMG	AJK
			P2	2020-12-18	ISSUED FOR USE - STAGE 2 STUDY	HRS		MYW		AMG	AJK
			P1	2020-12-04	ISSUED FOR REVIEW	HRS		MYW		AMG	AJK
* HAND INITIALS ON FILE											

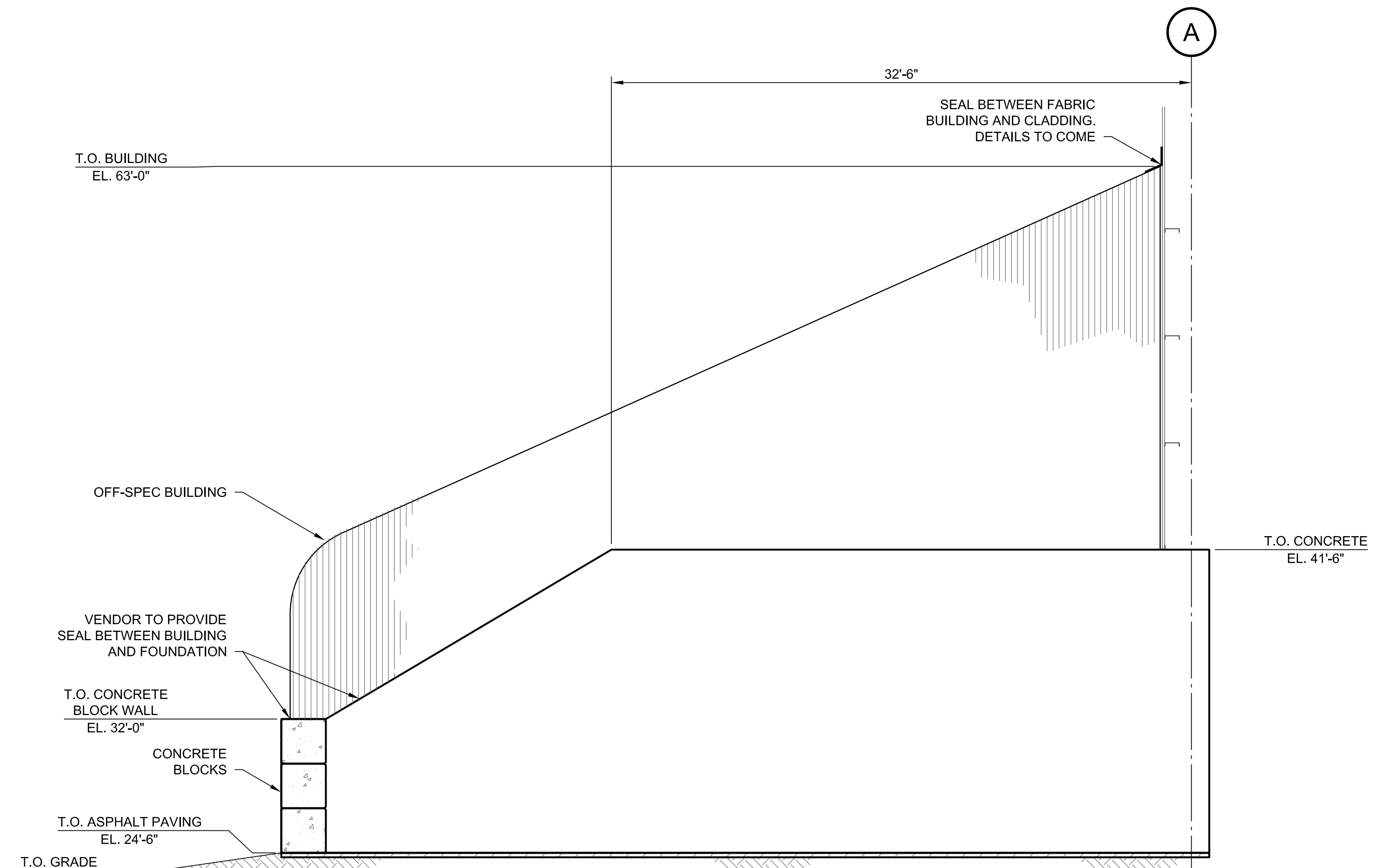
	 CWA PROJECT NUMBER: 19899
	NEW CARGO STUDY TRANSFER TOWER #P30 STEEL ELEVATIONS - SHEET 2
	82230-D0320-0111
This drawing has been prepared by CWA Engineers Inc. as an instrument of service and is the exclusive property of CWA. This drawing shall be used solely for the purpose of this project. The client agrees that this drawing shall not be used for purposes other than those intended, and shall hold the engineer harmless for any other such use.	
DRAWN BY: HRS SCALE: AS NOTED ACAD FILENAME: 82230-D0320-0100	P3 REV.

Other Buildings

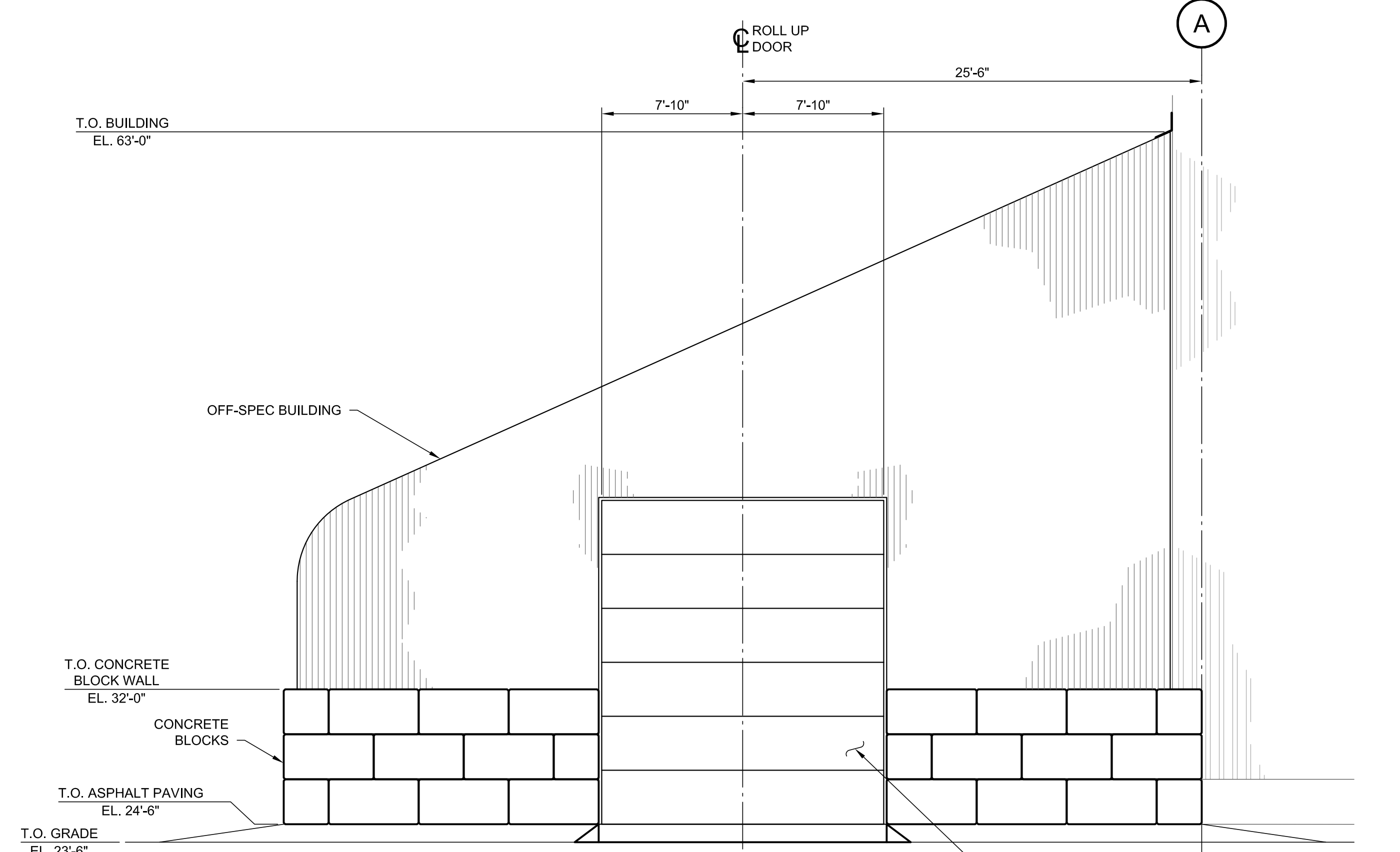


PLAN
3/16" = 1'-0"



PRELIMINARY
NOT FOR CONSTRUCTION



NORTH END WALL ELEVATION
3/16" = 1'-0"



SOUTH END WALL ELEVATION
3/16" = 1'-0"

										FOR PERMIT		  CWA PROJECT NUMBER: 19899	
										<small>This drawing has been prepared by CWA Engineers Inc. as an instrument of service and is the exclusive property of CWA. This drawing shall be used solely for the purpose of this project. The client agrees that this drawing shall not be used for purposes other than those intended, and shall hold the engineer harmless for any other such use.</small>		NEW CARGO STUDY POTASH OFF-SPEC BUILDING GENERAL ARRANGEMENT 85405-D0215-0001	
										DRAWN BY: CPL SCALE: AS NOTED ACAD FILENAME: 85405-D0215-0001		P3 REV.	
REF.	DWG. NUMBER	DESCRIPTION	No.	YYYY-MM-DD	DESCRIPTION	ISSUES / REVISIONS	DRAWN	DWG. CHECK	DESIGN	DESIGN CHECK	DISC. APPROVAL	PROJ. APPROVAL	
1	85405-D0215-0002	NEW CARGO STUDY - POTASH OFF-SPEC BUILDING - SECTIONS	P3	2020-12-15	ISSUED FOR USE - STAGE 2 STUDY		CPL	-	AMG	-	AMG	AJK	
			P2	2020-11-27	ISSUED FOR REVIEW		CPL	-	AMG	-	AMG	AJK	
			P1	2020-11-06	ISSUED FOR REVIEW		CPL	-	AMG	-	AMG	AJK	

