

- LEGEND**
- INDICATES EXTERIOR WALL
METAL CLADDING (PTD.)
METAL GIRT
RSI 3.5 BATT INSULATION
POLYETHYLENE
15mm GYPSUM BOARD
 - INDICATES INTERIOR WALL
12mm GYPSUM BOARD
94mm STEEL STUDS @ 400 o/c
12mm GYPSUM BOARD
 - INDICATES 1 HOUR FIRE RATED WALL
12mm TYPE 'X' GYPSUM BOARD
E.F.
94mm STEEL STUDS @ 400 o/c
 - INDICATES EXTERIOR WALL - 1 HOUR FIRE RATED WALL
METAL CLADDING (PTD.)
METAL GIRT
RSI 3.5 BATT INSULATION
POLYETHYLENE
TYPE 'X' 15MM GYPSUM BOARD
 - INDICATES WINDOW OR DOOR TYPE. REFER TO DWG. SB-008 FOR DETAILS.

FLOOR PLAN
SCALE: 1:25

INFORMATION ONLY
DO NOT USE FOR CONSTRUCTION
Last Saved: Jun. 29/22 10:39pm

ISSUED FOR PERMITTING PURPOSES ONLY

Filename: C:\red\drawings\cadd\0-Projects\SDEDP-WorldDrawings\Support Building\7704-ARCH-SB.dwg - 001
 Last Saved: Jun. 29/22 10:39pm. Plotted: Jun. 29/22

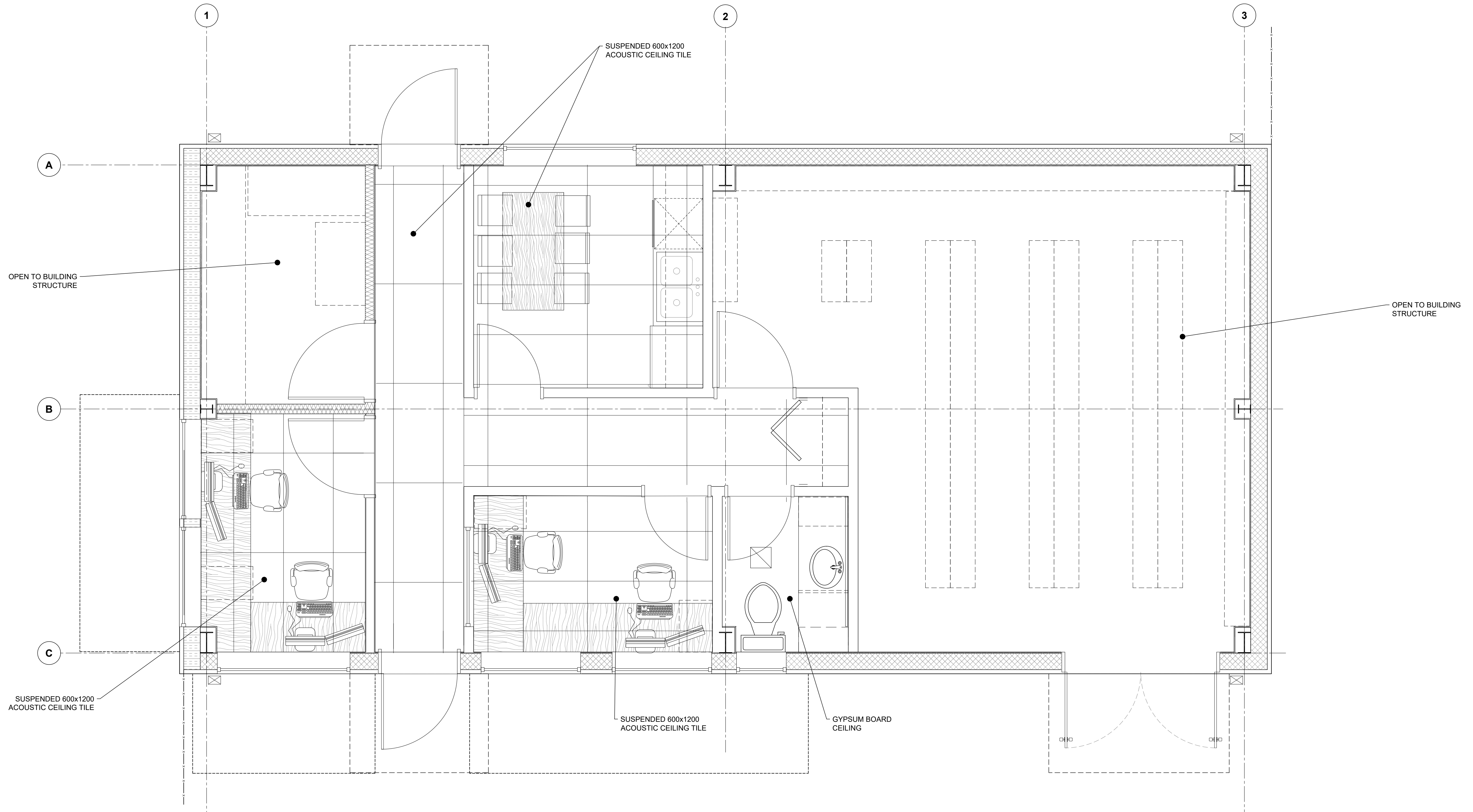
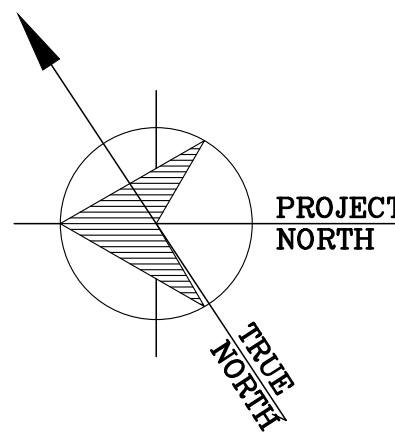
No.	DATE	DESCRIPTION	DRAWN	CHK'D	DESIGN	CHK'D	APP'D	No.	DATE	DESCRIPTION	DRAWN	CHK'D	DESIGN	CHK'D	APP'D
								B	2022.06.30	ISSUED FOR PERMIT	FGP	XX	FGP	-	DP
								A	2022.06.30	ISSUED FOR PERMIT	FGP	XX	FGP	-	DP
ISSUE / REVISIONS															



CONSULTANT

TITLE CANOLA OIL TRANSLOAD FACILITY
SUPPORT BUILDING
ARCHITECTURAL
FLOOR PLAN

DRAWING SCALE	PROJECT NUMBER	DRAWING NUMBER	REV.
1:25	7704	7704-ARCH-SB-001	B



REFLECTED CEILING PLAN
SCALE: 1:25

ISSUED FOR PERMITTING PURPOSES ONLY

INFORMATION ONLY
DO NOT USE FOR CONSTRUCTION
Last Saved: Jun. 29/22 10:39pm

Filename: C:\red\drawings\cadd\0-Projects\SBEDP-World\Drawings\Support Building\7704-ARCH-SB.dwg - 002
Last Saved: Jun. 29/22 10:39pm. Plotted: Jun. 29/22

PROFESSIONAL SEAL

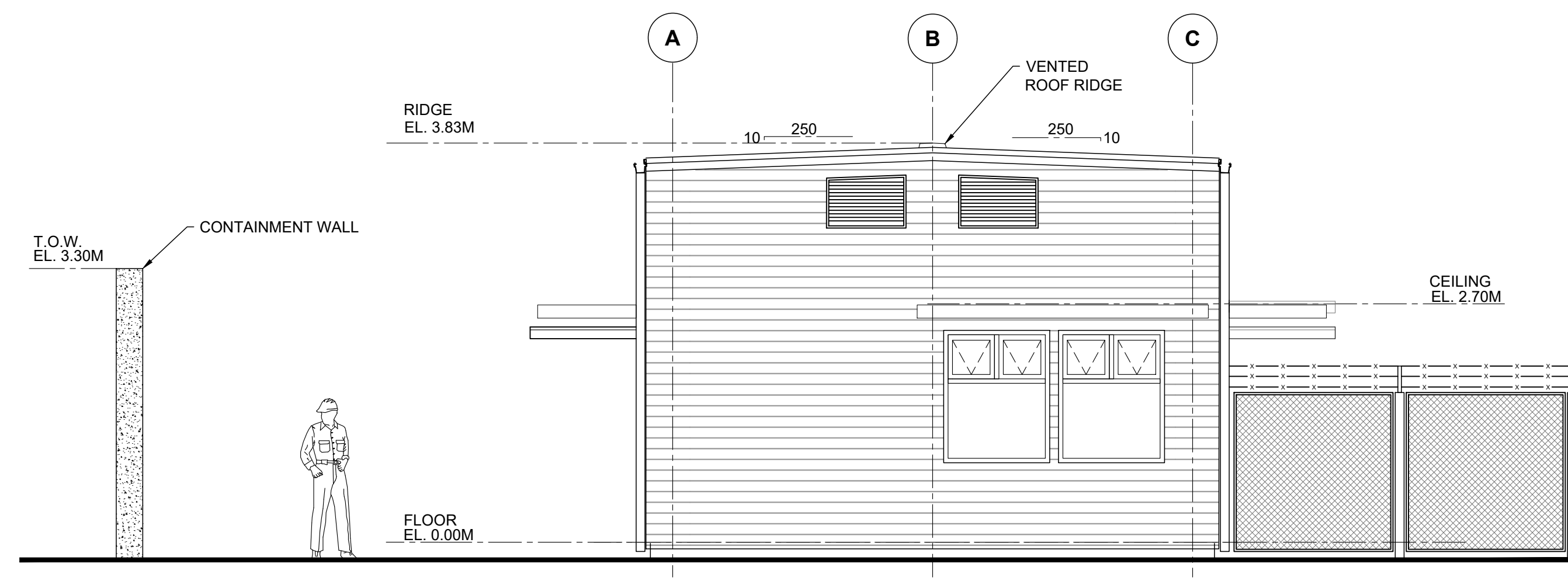
No.	DATE	DESCRIPTION	DRAWN	CHK'D	DESIGN	CHK'D	APP'D	No.	DATE	DESCRIPTION	DRAWN	CHK'D	DESIGN	CHK'D	APP'D
		ISSUE / REVISIONS								ISSUE / REVISIONS					
								A	2022.06.30	ISSUED FOR PERMIT					
											FGP	XX	FGP	-	DP



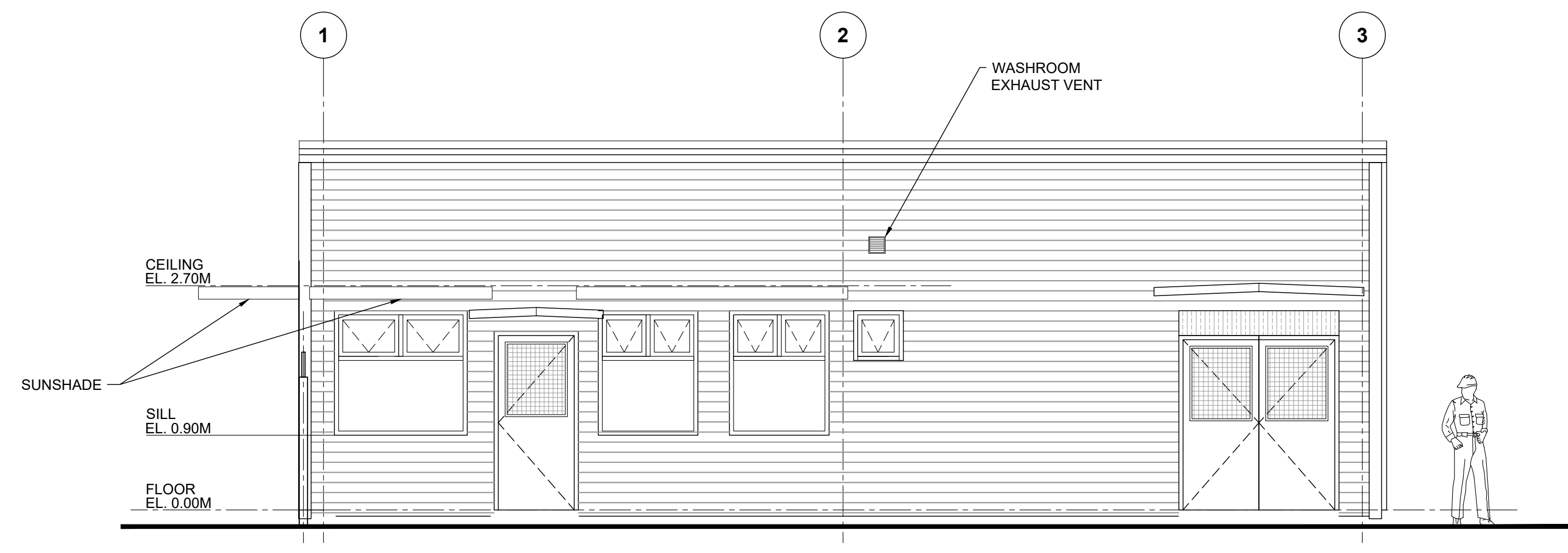
CONSULTANT

TITLE CANOLA OIL TRANSLOAD FACILITY
SUPPORT BUILDING
ARCHITECTURAL
REFLECTED CEILING PLAN

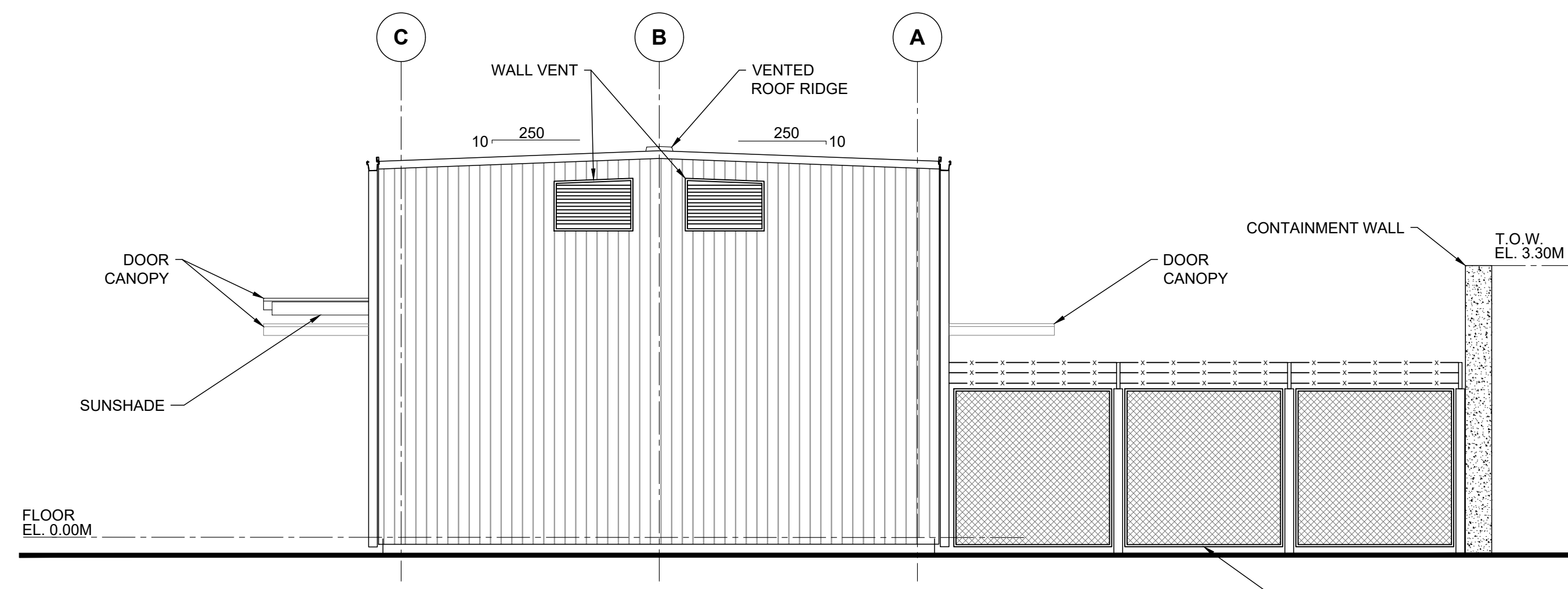
DRAWING SCALE	PROJECT NUMBER	DRAWING NUMBER	REV.
1:25	7704	7704-ARCH-SB-002	A



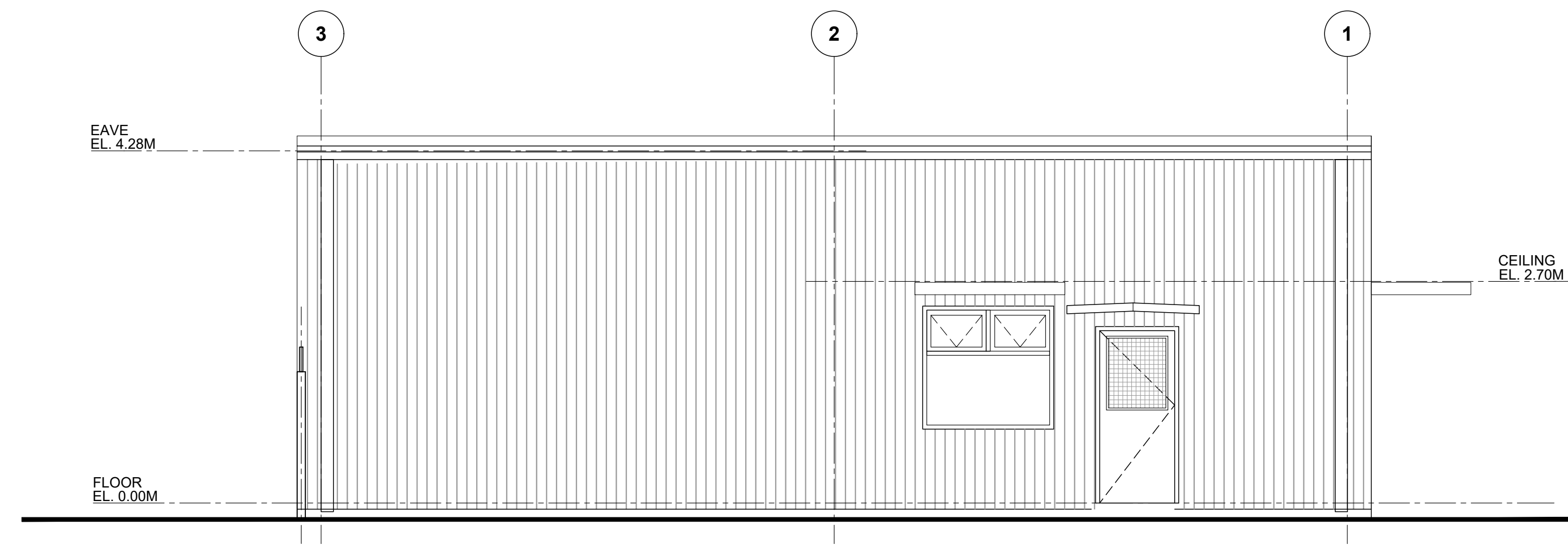
NORTH ELEVATION
SCALE: 1:50



WEST ELEVATION
SCALE: 1:50



SOUTH ELEVATION
SCALE: 1:50



EAST ELEVATION
SCALE: 1:50

ISSUED FOR PERMITTING PURPOSES ONLY

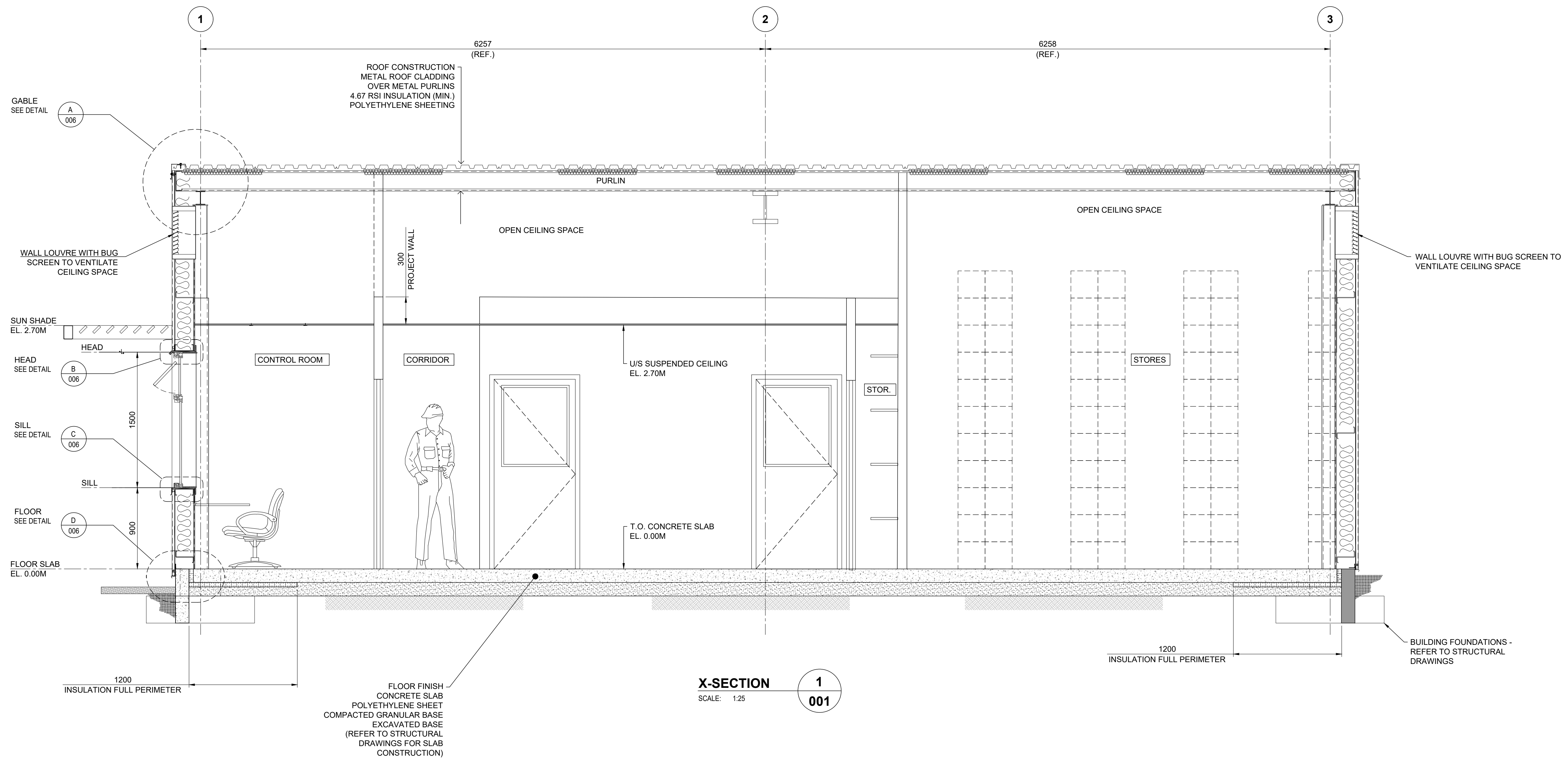
INFORMATION ONLY
DO NOT USE FOR CONSTRUCTION
Last Saved: Jun. 29/22 10:39pm

Filename: C:\red\drawings\cadd\0-Projects\SDEDP-World\Drawings\Support Building\7704-ARCH-SB.dwg - 004
 Last Saved: Jun. 29/22 10:39pm Plotted: Jun. 29/22

PROFESSIONAL SEAL																
No.	DATE	DESCRIPTION	DRAWN	CHK'D	DESIGN	CHK'D	APP'D	No.	DATE	DESCRIPTION	DRAWN	CHK'D	DESIGN	CHK'D	APP'D	
		ISSUE / REVISIONS														



CONSULTANT			
TITLE CANOLA OIL TRANSLOAD FACILITY SUPPORT BUILDING ARCHITECTURAL BUILDING ELEVATIONS			
DRAWING SCALE	PROJECT NUMBER	DRAWING NUMBER	REV.
1:50	7704	7704-ARCH-SB-004	A



ISSUED FOR PERMITTING PURPOSES ONLY

INFORMATION ONLY
DO NOT USE FOR CONSTRUCTION
Last Saved: Jun. 29/22 10:39pm

File name: C:\red\drawings\acad\0-Projects\SEEDP-World\Drawings\Support Building\7704-ARCH-SB.dwg - 005
 Last saved: Jun. 29/22 10:39pm. Plotted: Jun. 29/22

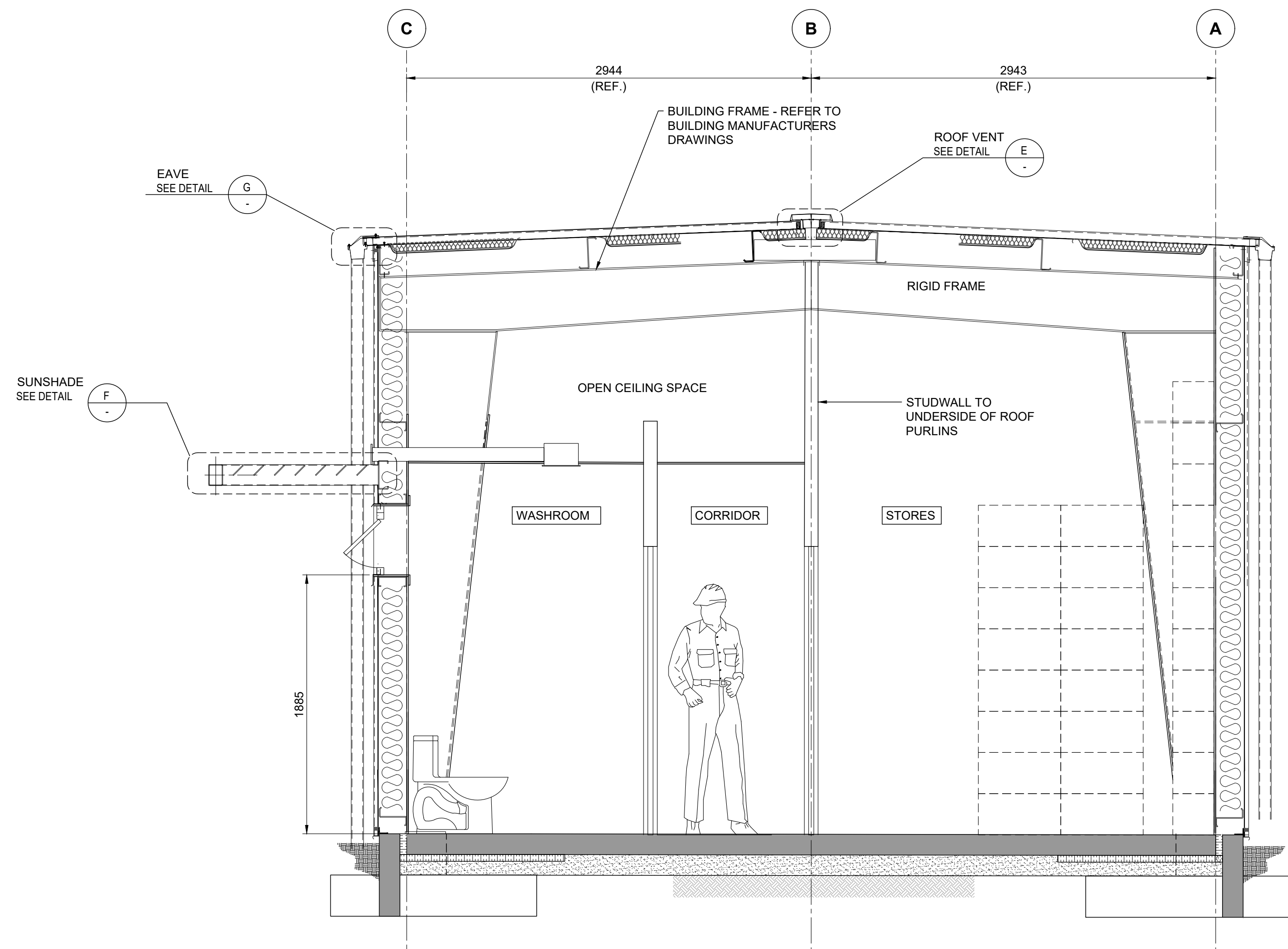
No.	DATE	DESCRIPTION	DRAWN	CHKD	DESIGN	CHKD	APPD	No.	DATE	DESCRIPTION	DRAWN	CHKD	DESIGN	CHKD	APPD
								A	2022.06.30	ISSUED FOR PERMIT					
		ISSUE / REVISIONS								ISSUE / REVISIONS					



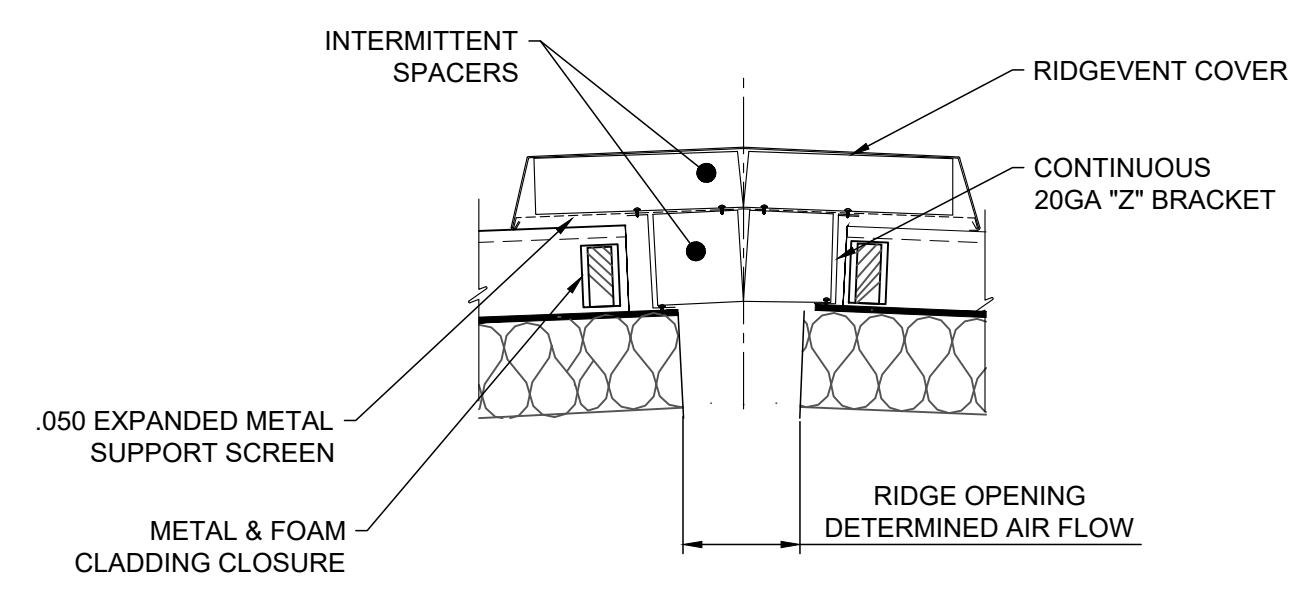
CONSULTANT

TITLE CANOLA OIL TRANSLOAD FACILITY
SUPPORT BUILDING
ARCHITECTURAL
BUILDING CROSS-SECTIONS

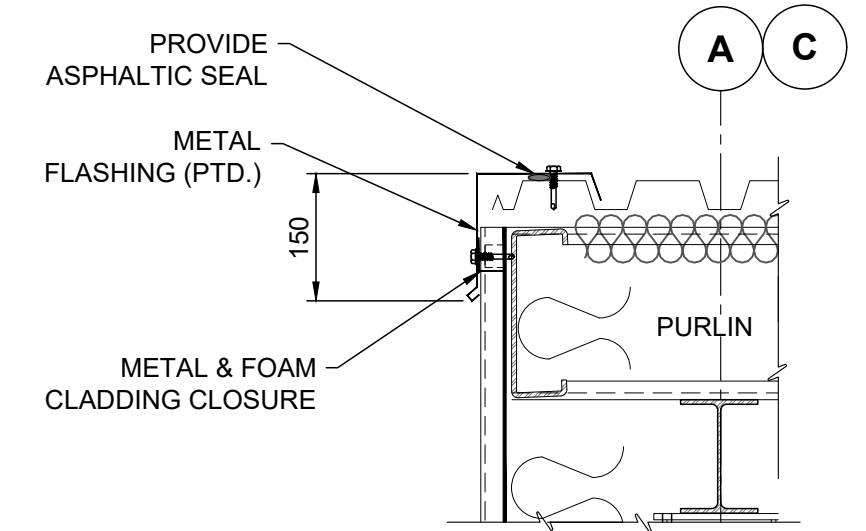
DRAWING SCALE	PROJECT NUMBER	DRAWING NUMBER	REV.
1:25	7704	7704-ARCH-SB-005	A



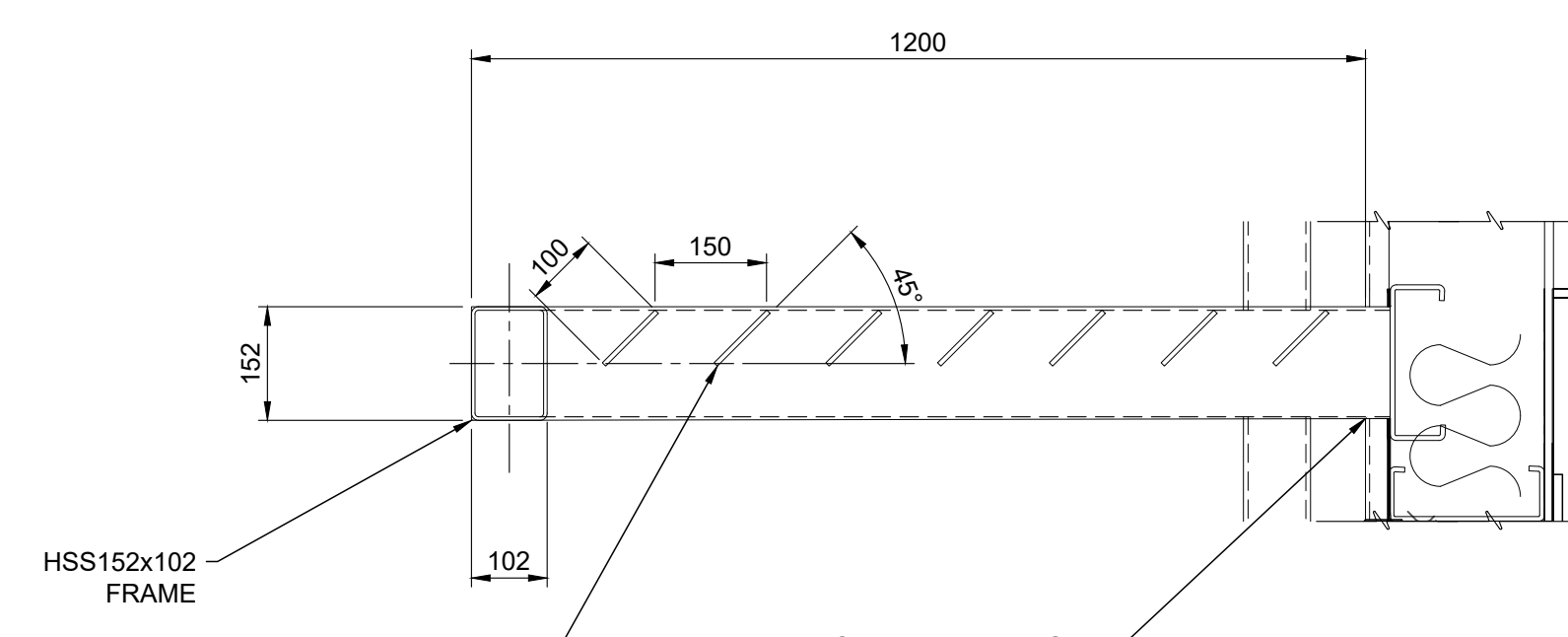
X-SECTION 2
SCALE: 1:25
001



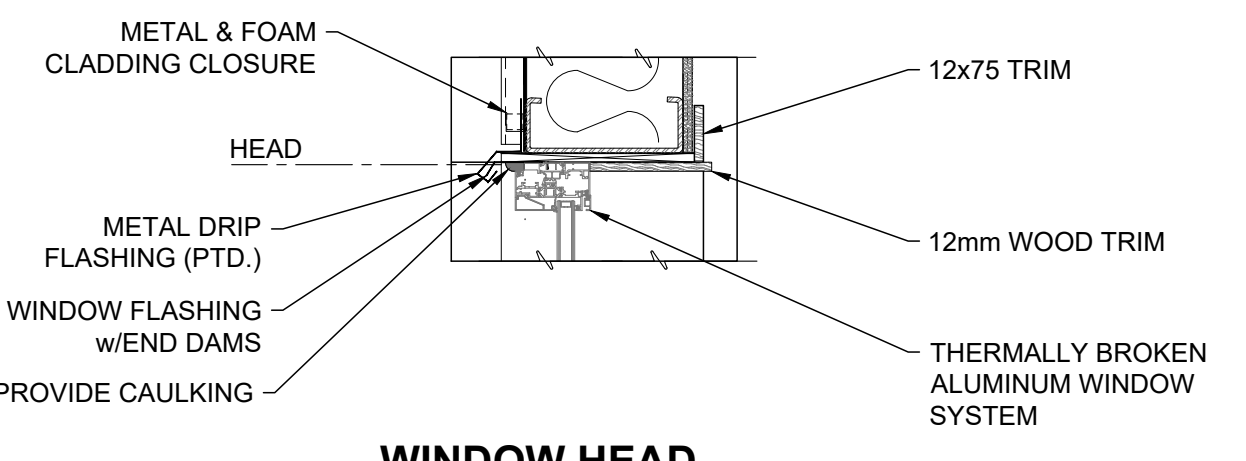
RIDGE VENT (CONT.) DETAIL E
SCALE: 1:5



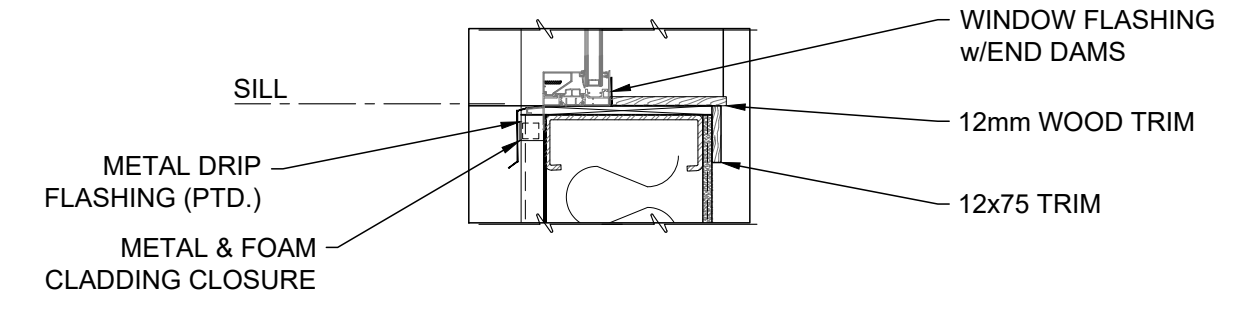
GABLE DETAIL A
SCALE: 1:10
005



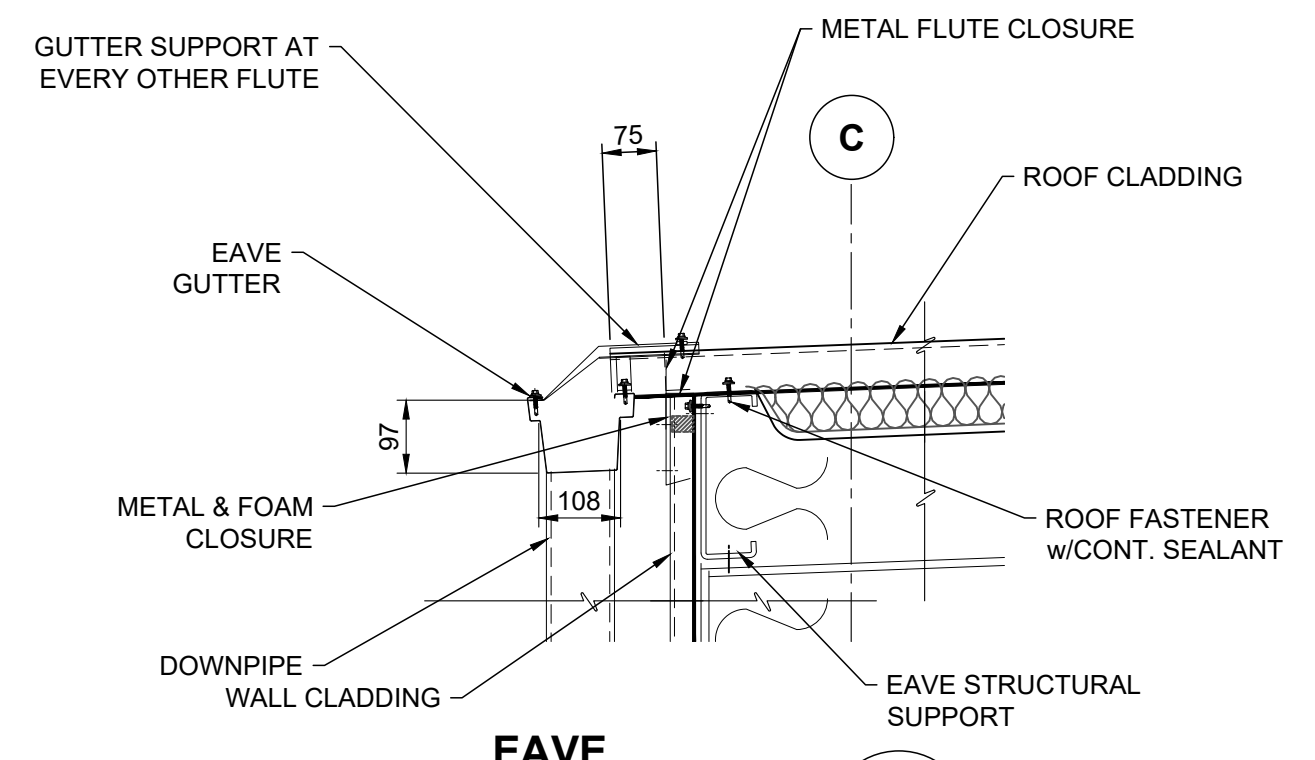
SUNSHADE DETAIL F
SCALE: 1:10



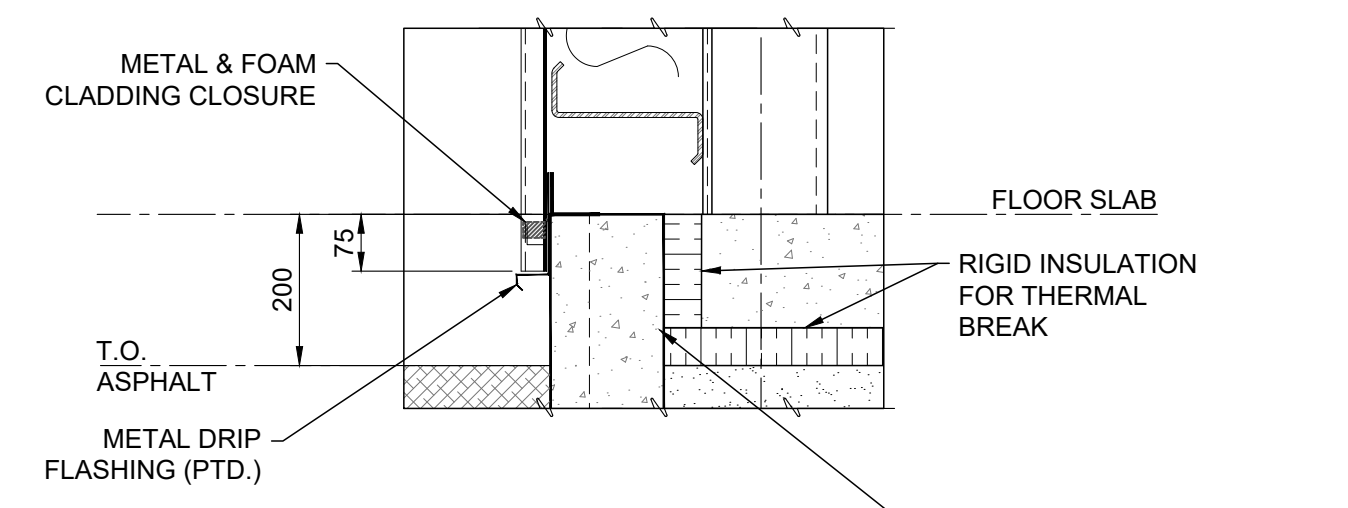
WINDOW HEAD DETAIL B
SCALE: 1:10
005



WINDOW SILL DETAIL C
SCALE: 1:10
005



EAVE DETAIL G
SCALE: 1:10



FLOOR BASE DETAIL D
SCALE: 1:10
005

ISSUED FOR PERMITTING PURPOSES ONLY

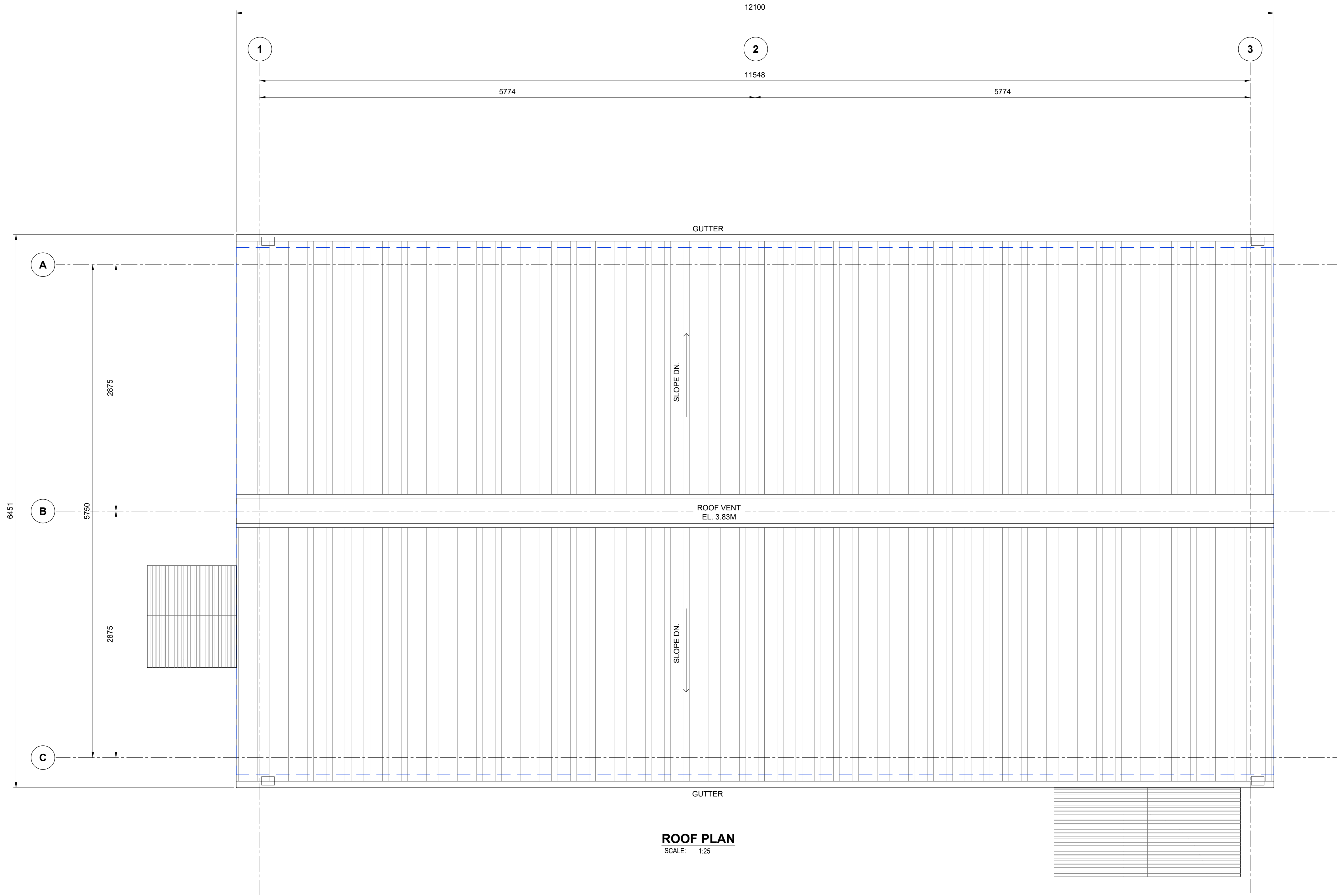
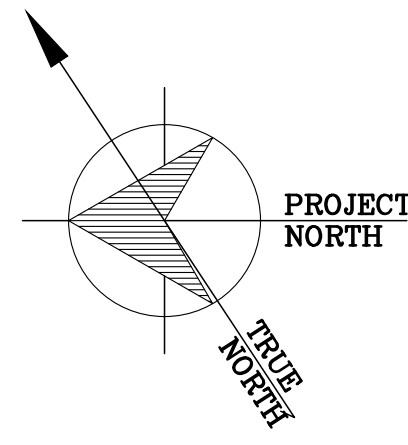
INFORMATION ONLY
DO NOT USE FOR CONSTRUCTION
Last Saved: Jun. 29/22 10:39pm

File name: C:\Ired\drawings\cadd\0-Projects\SDE\DP-World\Drawings\Support Building\7704-ARCH-SB.dwg - 006
 Last Saved: Jun. 29/22 10:39pm. Plotted: Jun. 29/22

PROFESSIONAL SEAL															
No.	DATE	DESCRIPTION	DRAWN	CHK'D	DESIGN	CHK'D	APPD	No.	DATE	DESCRIPTION	DRAWN	CHK'D	DESIGN	CHK'D	APPD
ISSUE / REVISIONS															



CONSULTANT		SACRÉ DAVEY	
TITLE CANOLA OIL TRANSLOAD FACILITY SUPPORT BUILDING ARCHITECTURAL BUILDING CROSS-SECTIONS			
DRAWING SCALE	PROJECT NUMBER	DRAWING NUMBER	REV.
1:25	7704	7704-ARCH-SB-006	A



ROOF PLAN
SCALE: 1:25

ISSUED FOR PERMIT PURPOSES ONLY

INFORMATION ONLY
DO NOT USE FOR CONSTRUCTION
Last Saved: Jun. 29/22 10:51pm

Filename: C:\red\drawings\cadd\0-Projects\SDEDP World\Drawings\MCC Building\Drawings\7704-ARCH-MC.dwg -002
Last Saved: Jun. 29/22 10:51pm. Plotted: Jun. 29/22

PROFESSIONAL SEAL

No.	DATE	DESCRIPTION	DRAWN	CHK'D	DESIGN	CHK'D	APP'D	No.	DATE	DESCRIPTION	DRAWN	CHK'D	DESIGN	CHK'D	APP'D
								A	2022.06.30	ISSUED FOR PERMIT					
											FGP	XX	FGP	-	DP
ISSUE / REVISIONS								ISSUE / REVISIONS							

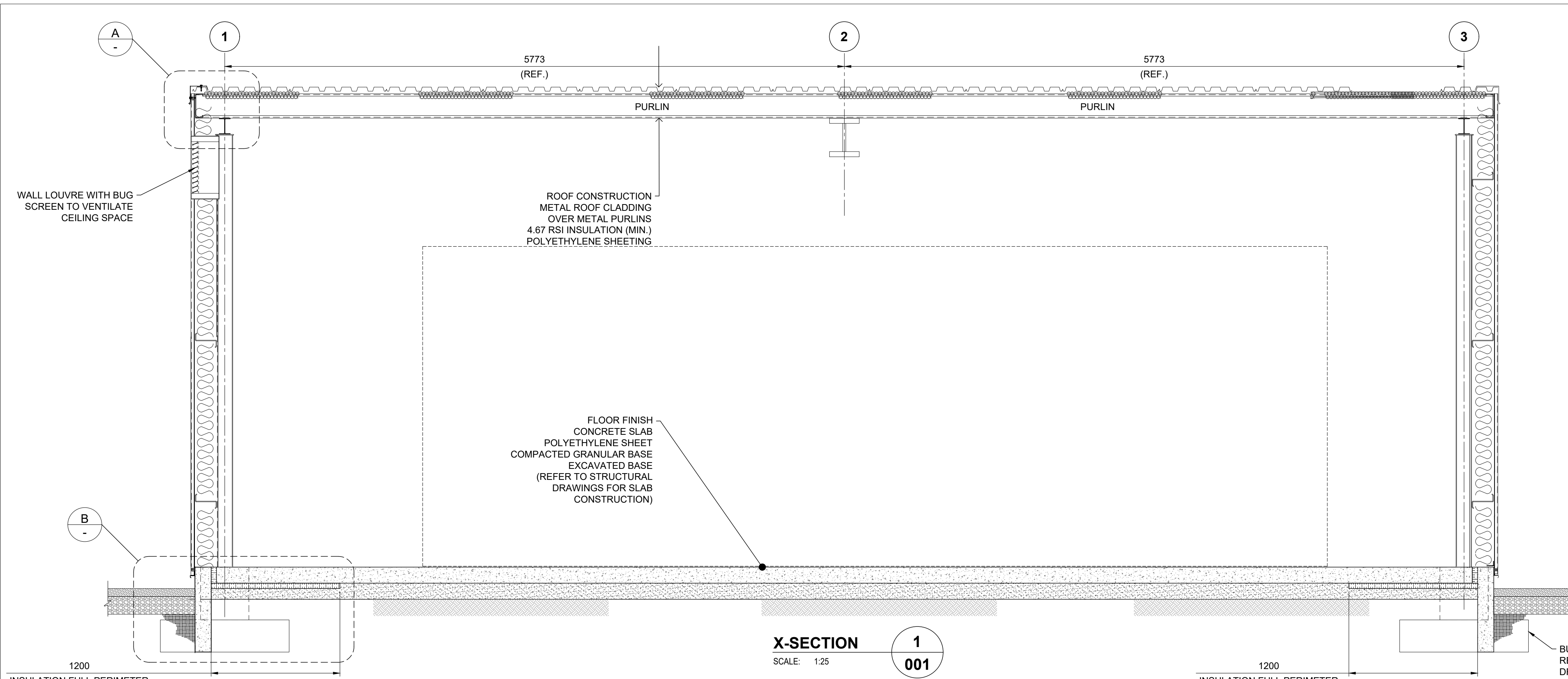


CONSULTANT

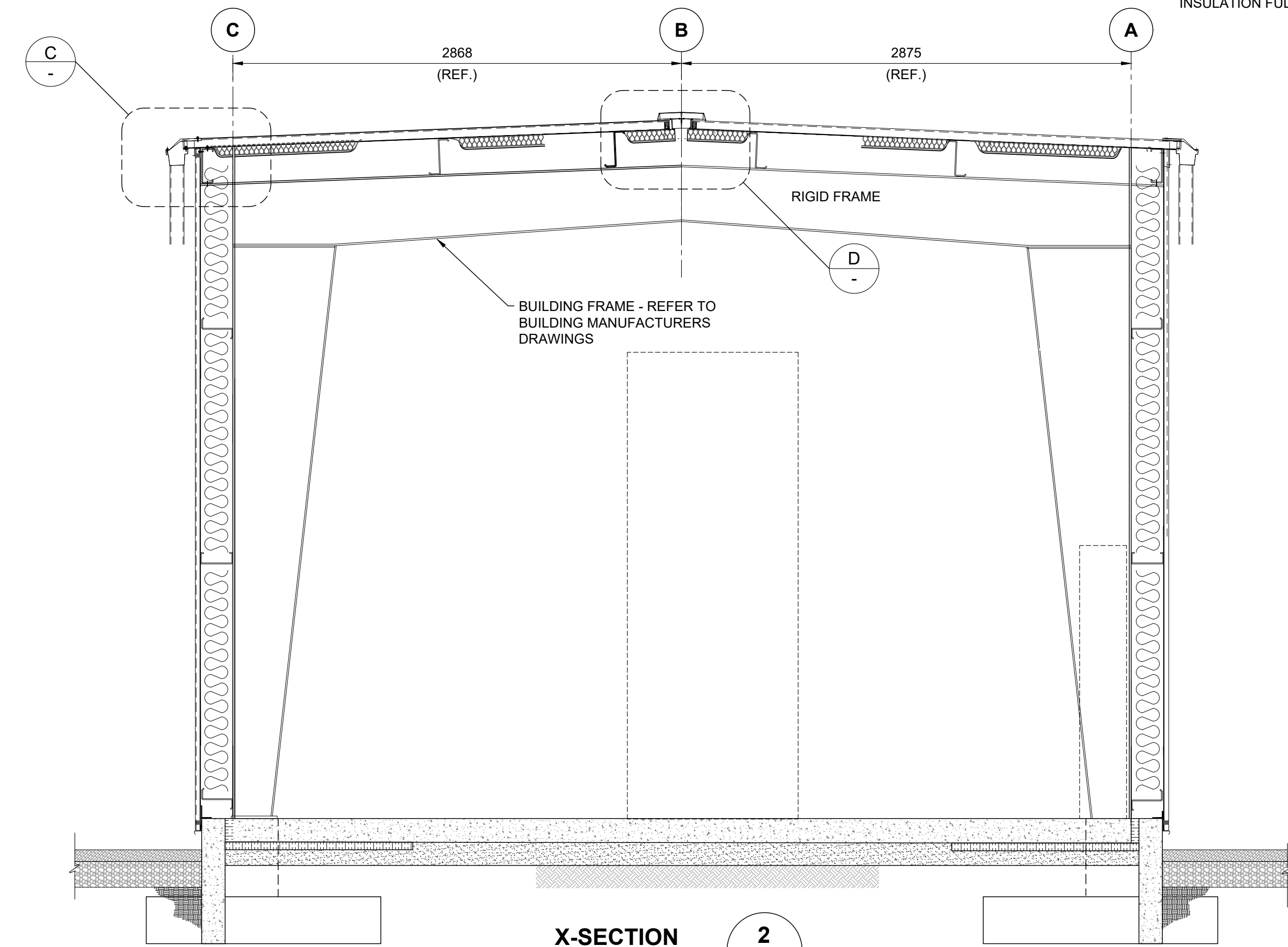


TITLE CANOLA OIL TRANSLOAD FACILITY
MCC BUILDING
ARCHITECTURAL
ROOF PLAN

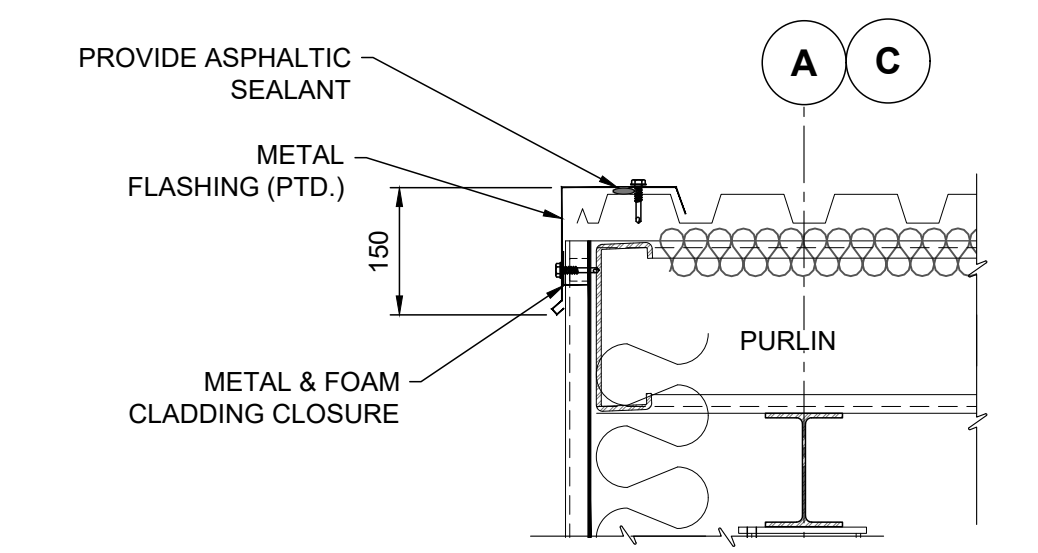
DRAWING SCALE	PROJECT NUMBER	DRAWING NUMBER	REV.
1:25	7704	7704-ARCH-MC-002	A



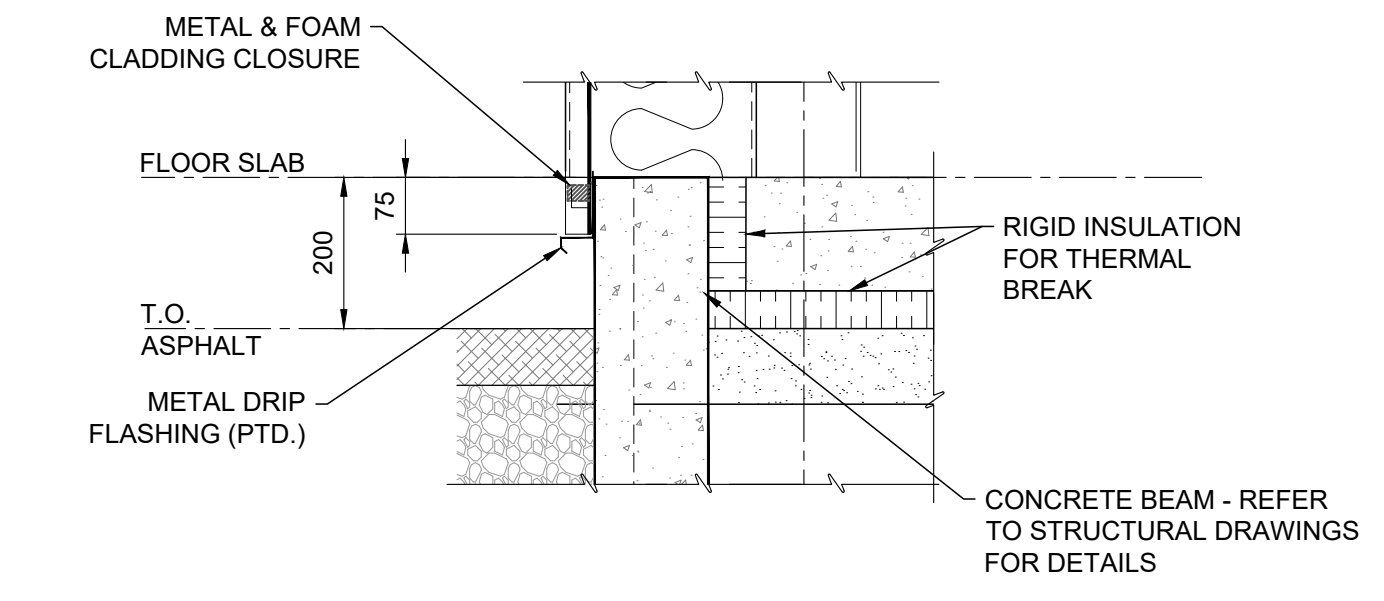
X-SECTION 1
SCALE: 1:25
001



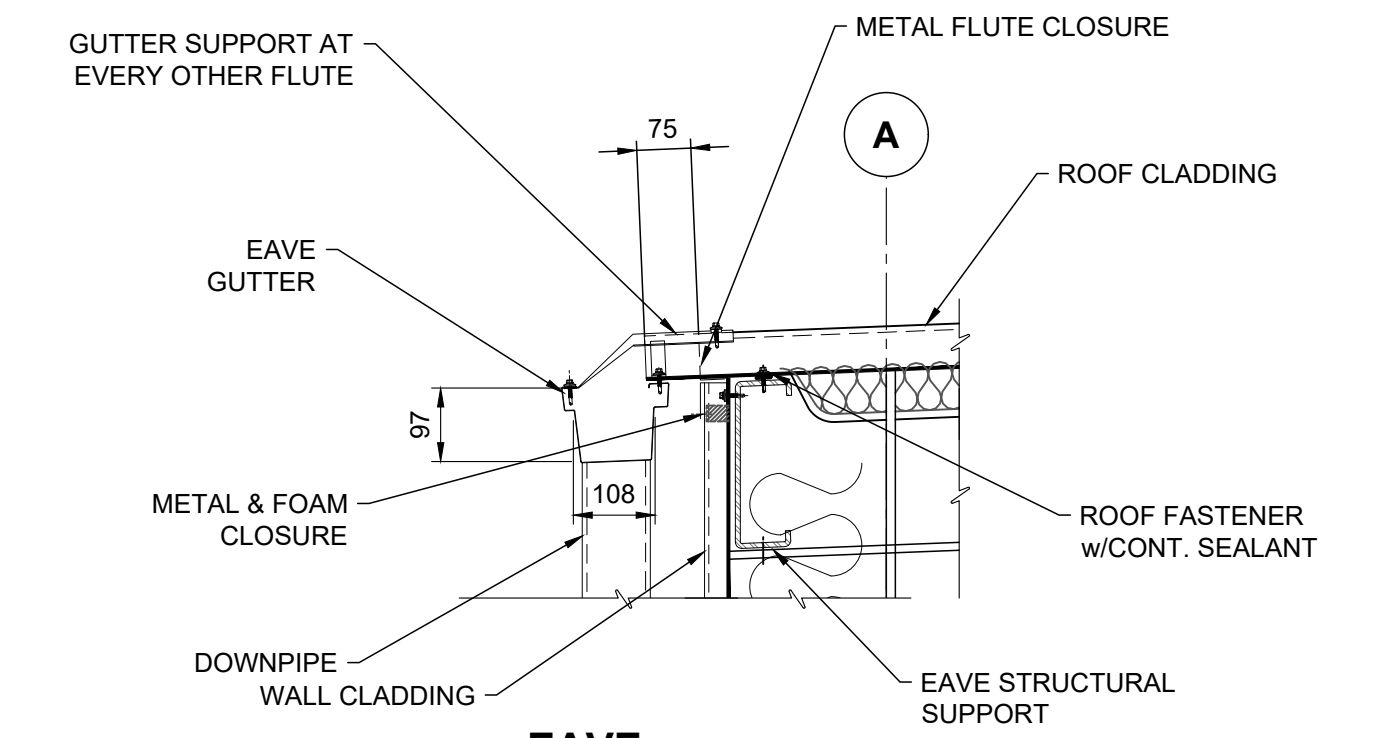
X-SECTION 2
SCALE: 1:25
001



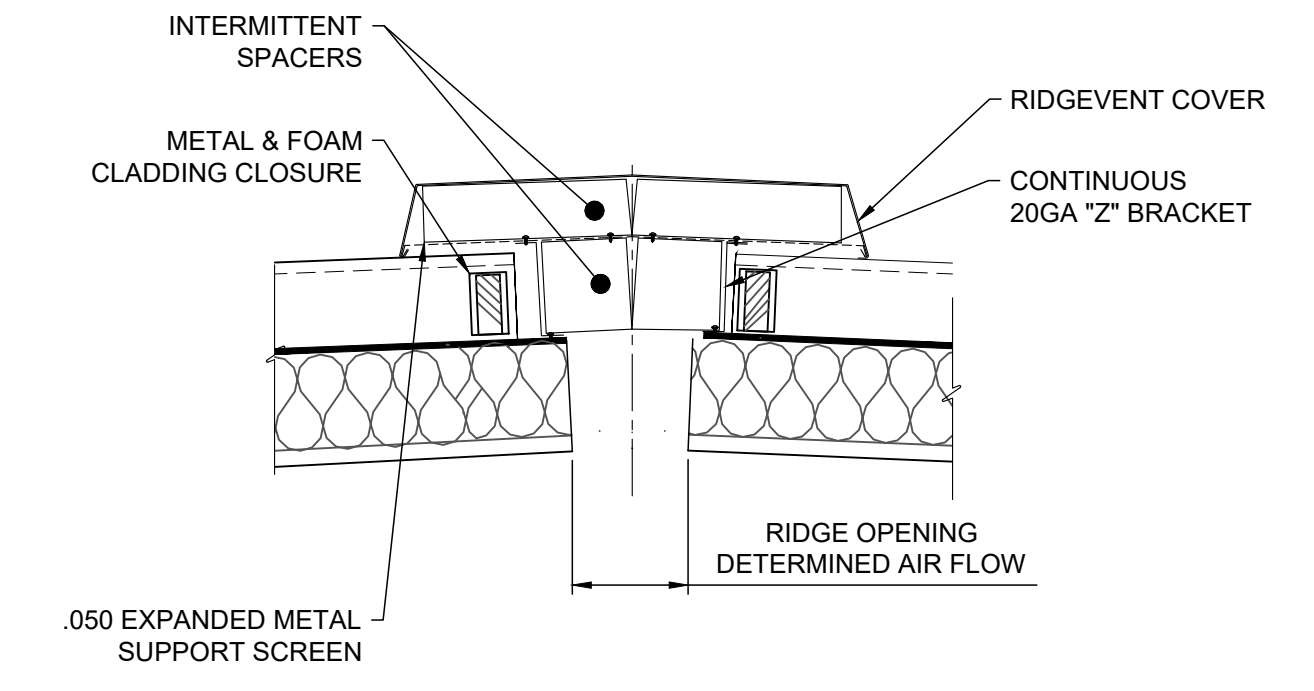
GABLE DETAIL
SCALE: 1:10
A



FLOOR BASE DETAIL
SCALE: 1:10
B



EAVE DETAIL
SCALE: 1:10
C



RIDGE VENT (CONT.) DETAIL
SCALE: 1:5
D

ISSUED FOR PERMIT PURPOSES ONLY

INFORMATION ONLY
DO NOT USE FOR CONSTRUCTION
Last Saved: Jun. 29/22 10:51pm

File name: C:\red\drawings\projects\SED\DP World\Drawings\MCC Building\Drawings\7704-ARCH-MC.dwg - 004
 Last Saved: Jun. 29/22 10:51pm Plotted: Jun. 29/22

PROFESSIONAL SEAL															
No.	DATE	DESCRIPTION	DRAWN	CHK'D	DESIGN	CHK'D	APP'D	No.	DATE	DESCRIPTION	DRAWN	CHK'D	DESIGN	CHK'D	APP'D
		ISSUE / REVISIONS								ISSUED FOR PERMIT					



CONSULTANT		SACRÉ DAVEY	
TITLE CANOLA OIL TRANSLOAD FACILITY MCC BUILDING ARCHITECTURAL BUILDING CROSS-SECTIONS AND DETAILS			
DRAWING SCALE	PROJECT NUMBER	DRAWING NUMBER	REV.
AS NOTED	7704	7704-ARCH-MC-004	A

