

ROOF PLAN
SCALE: 1:25

ISSUED FOR APPROVAL

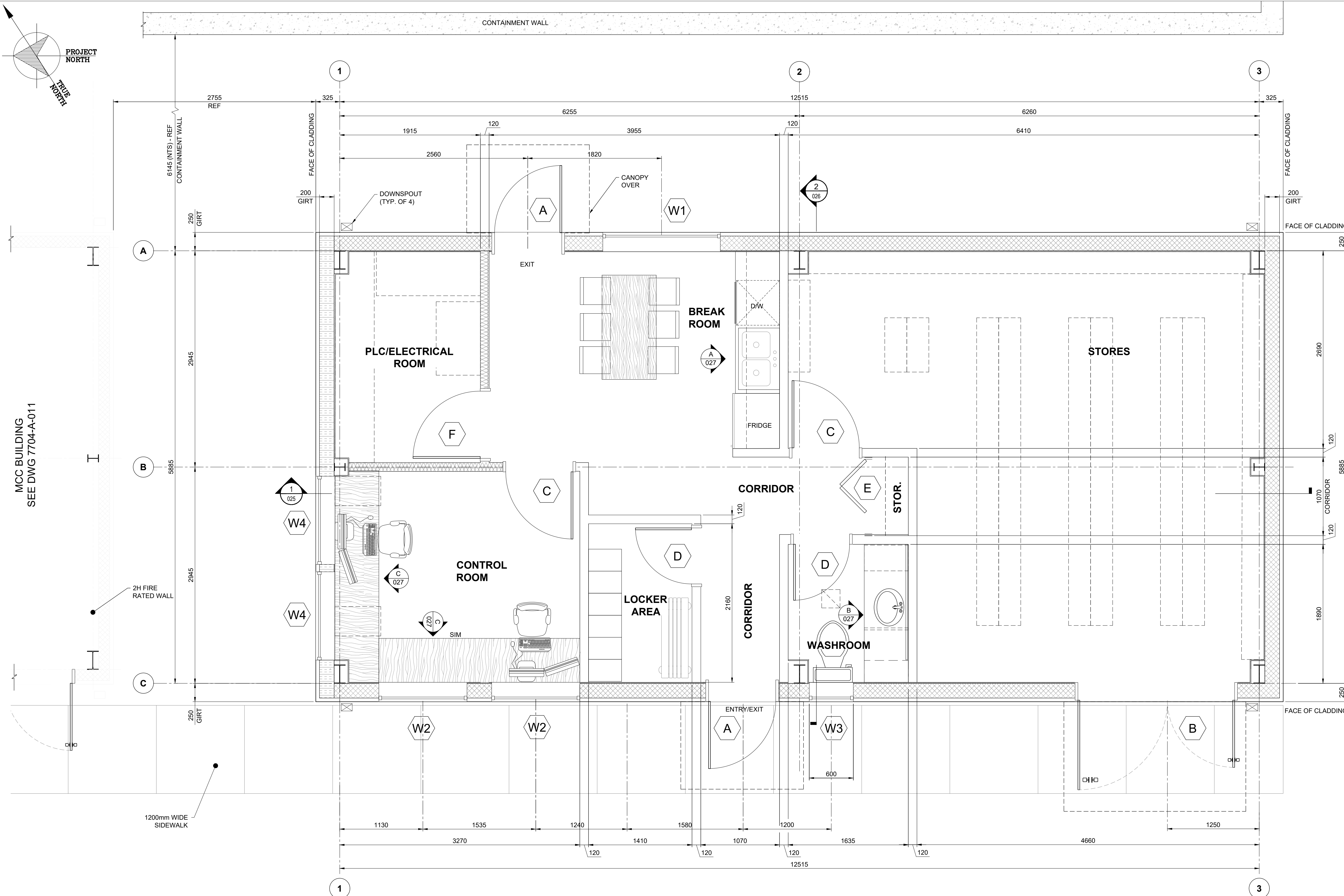
INFORMATION ONLY
DO NOT USE FOR CONSTRUCTION
Last Saved: Oct. 28/22 4:02pm

Filename: Z:\Jobs\A To H\DP World Canada\7919 Canola Export OE Ph 119 Drawings\5 CAD\2 Arch\MCC Bldg\7704-A.dwg - 012
Last Saved: Oct. 28/22 4:02pm Plotted: Oct. 28/22

PROFESSIONAL SEAL															
No.	DATE	DESCRIPTION	DRAWN	CHKD	DESIGN	CHKD	APPD	No.	DATE	DESCRIPTION	DRAWN	CHKD	DESIGN	CHKD	APPD
ISSUE / REVISIONS															



CONSULTANT			
TITLE CANOLA OIL TRANSLOAD FACILITY MCC BUILDING ARCHITECTURAL ROOF PLAN			
DRAWING SCALE	PROJECT NUMBER	DRAWING NUMBER	REV.
1:25	7704	7704-A-012	A



NOTES
 1. FOR BUILDING LOCATION REFER TO DRAWING 7704-A-001

- LEGEND**
- INDICATES EXTERIOR WALL
 METAL CLADDING (PTD.)
 METAL GIRT
 RSI 3.5 BATT INSULATION
 POLYETHYLENE
 15mm GYPSUM BOARD
 - INDICATES INTERIOR WALL
 12mm GYPSUM BOARD
 94mm STEEL STUDS @ 400 o/c
 12mm GYPSUM BOARD
 - INDICATES 1 HOUR FIRE RATED WALL
 12mm TYPE 'X' GYPSUM BOARD
 E.F.
 94mm STEEL STUDS @ 400 o/c
 12mm GYPSUM BOARD
 - INDICATES EXTERIOR WALL - 1 HOUR FIRE RATED WALL
 METAL CLADDING (PTD.)
 METAL GIRT
 RSI 3.5 BATT INSULATION
 POLYETHYLENE
 TYPE 'X' 15MM GYPSUM BOARD
 - INDICATES WINDOW OR DOOR TYPE. REFER TO DWG. SB-008 FOR DETAILS.

MCC BUILDING
 SEE DWG 7704-A-011

FLOOR PLAN
 SCALE: 1:25

ISSUED FOR APPROVAL

INFORMATION ONLY
 DO NOT USE FOR CONSTRUCTION
 Last Saved: Oct. 28/22 3:53pm

Filename: Z:\libs\A To HDP World Canada\7619_Canola Export OE Ph. 19 Drawings\5 CAD\2 Arch\Support Bldg\7704-A.dwg - 021
 Last Saved: Oct. 28/22 3:53pm Plotted: Oct. 28/22

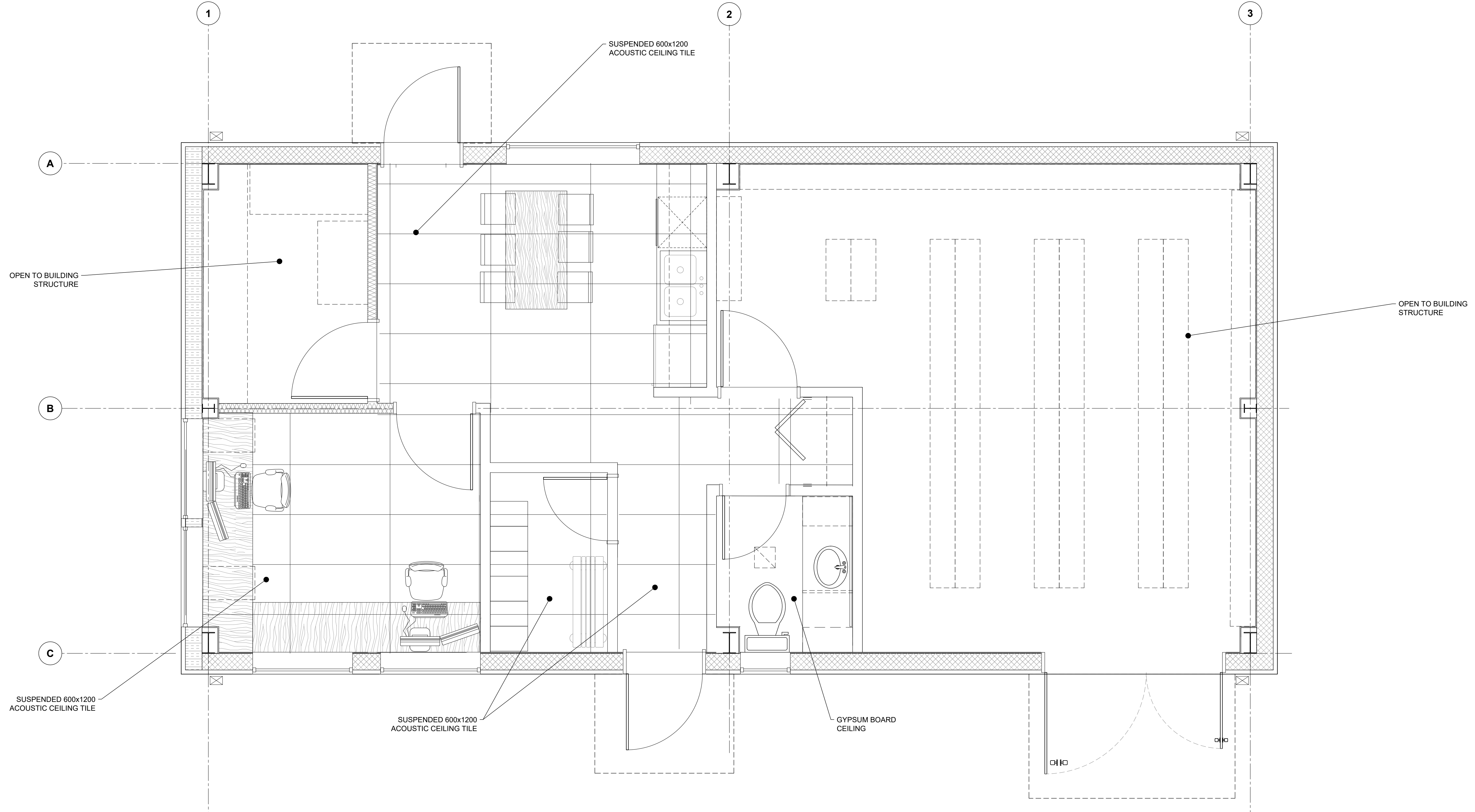
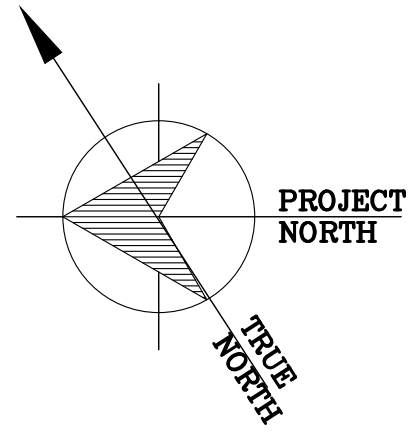
PROFESSIONAL SEAL															
No.	DATE	DESCRIPTION	DRAWN	CHKD	DESIGN	CHKD	APPD	No.	DATE	DESCRIPTION	DRAWN	CHKD	DESIGN	CHKD	APPD
		ISSUE / REVISIONS													
		ISSUE / REVISIONS													



CONSULTANT

TITLE CANOLA OIL TRANSLOAD FACILITY
 SUPPORT BUILDING
 ARCHITECTURAL
 FLOOR PLAN

DRAWING SCALE	PROJECT NUMBER	DRAWING NUMBER	REV.
1:25	7704	7704-A-021	A



REFLECTED CEILING PLAN
SCALE: 1:25

ISSUED FOR APPROVAL **INFORMATION ONLY**
DO NOT USE FOR CONSTRUCTION
Last Saved: Oct. 28/22 3:53pm

Filename: Z:\libs\A To HDP World Canada\7619_Canola Export OE Ph_19 Drawings\5 CAD\2 Arch\Support Bldg\7704-A.dwg - 022
Last Saved: Oct. 28/22 3:53pm Plotted: Oct. 28/22

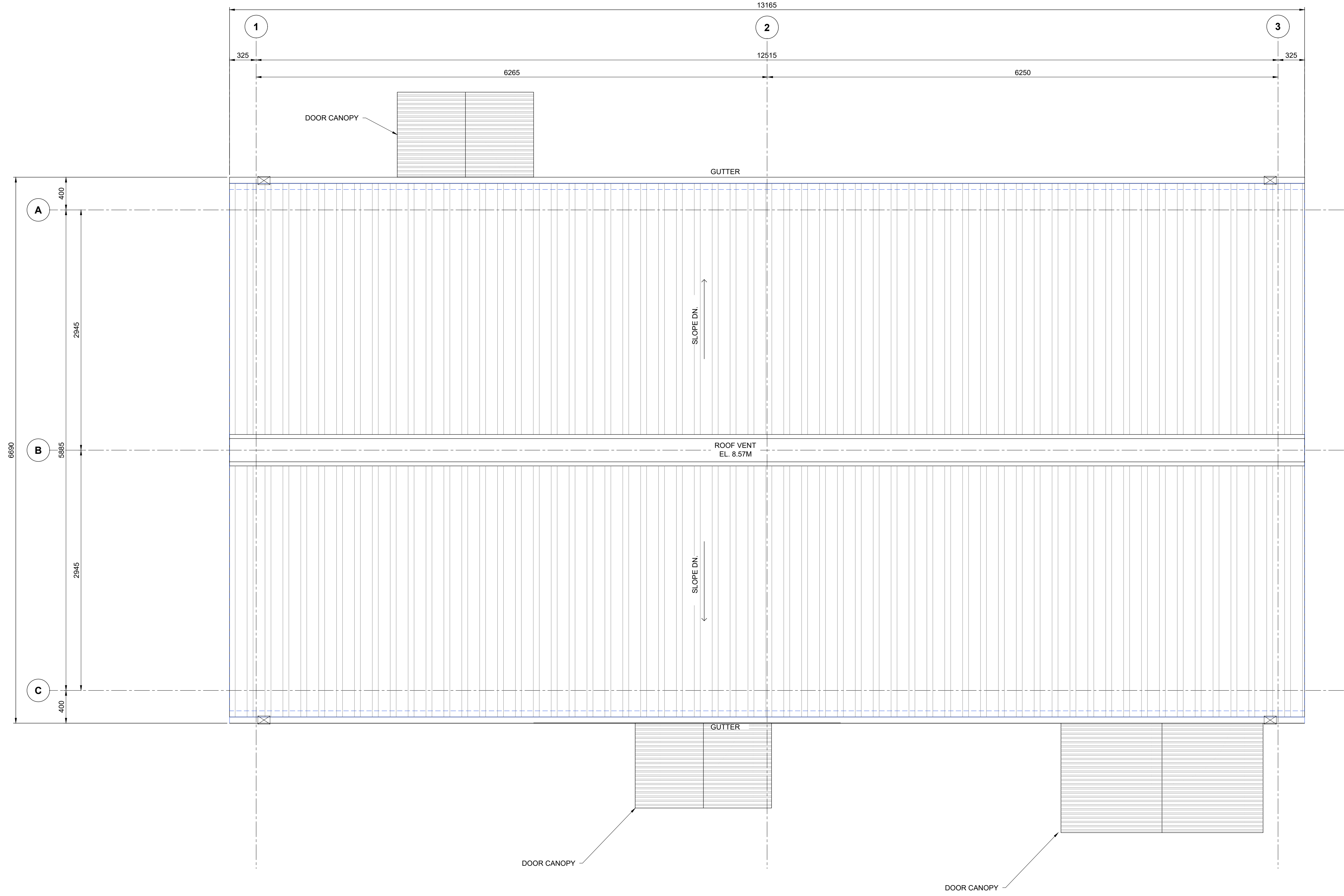
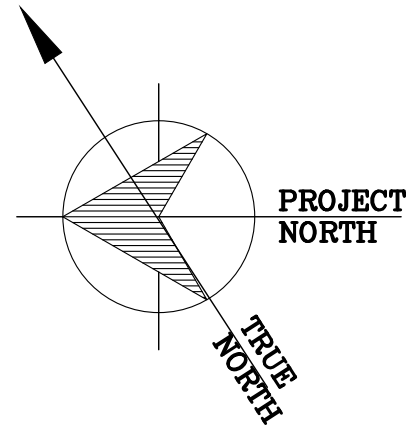
PROFESSIONAL SEAL															
No.	DATE	DESCRIPTION	DRAWN	CHKD	DESIGN	CHKD	APPD	No.	DATE	DESCRIPTION	DRAWN	CHKD	DESIGN	CHKD	APPD
		ISSUE / REVISIONS								ISSUE / REVISIONS					



CONSULTANT

TITLE: CANOLA OIL TRANSLOAD FACILITY
SUPPORT BUILDING
ARCHITECTURAL
REFLECTED CEILING PLAN

DRAWING SCALE	PROJECT NUMBER	DRAWING NUMBER	REV.
1:25	7704	7704-A-022	A



ROOF PLAN
SCALE: 1:25

ISSUED FOR APPROVAL

INFORMATION ONLY
DO NOT USE FOR CONSTRUCTION
Last Saved: Oct. 28/22 3:53pm

Filename: Z:\libs\A To HDP World Canada\7619_Canola Export OE Ph 1\9 Drawings\5 CAD\2 Arch\Support Bldg\7704-A.dwg - 023
Last Saved: Oct. 28/22 3:53pm Plotted: Oct. 28/22

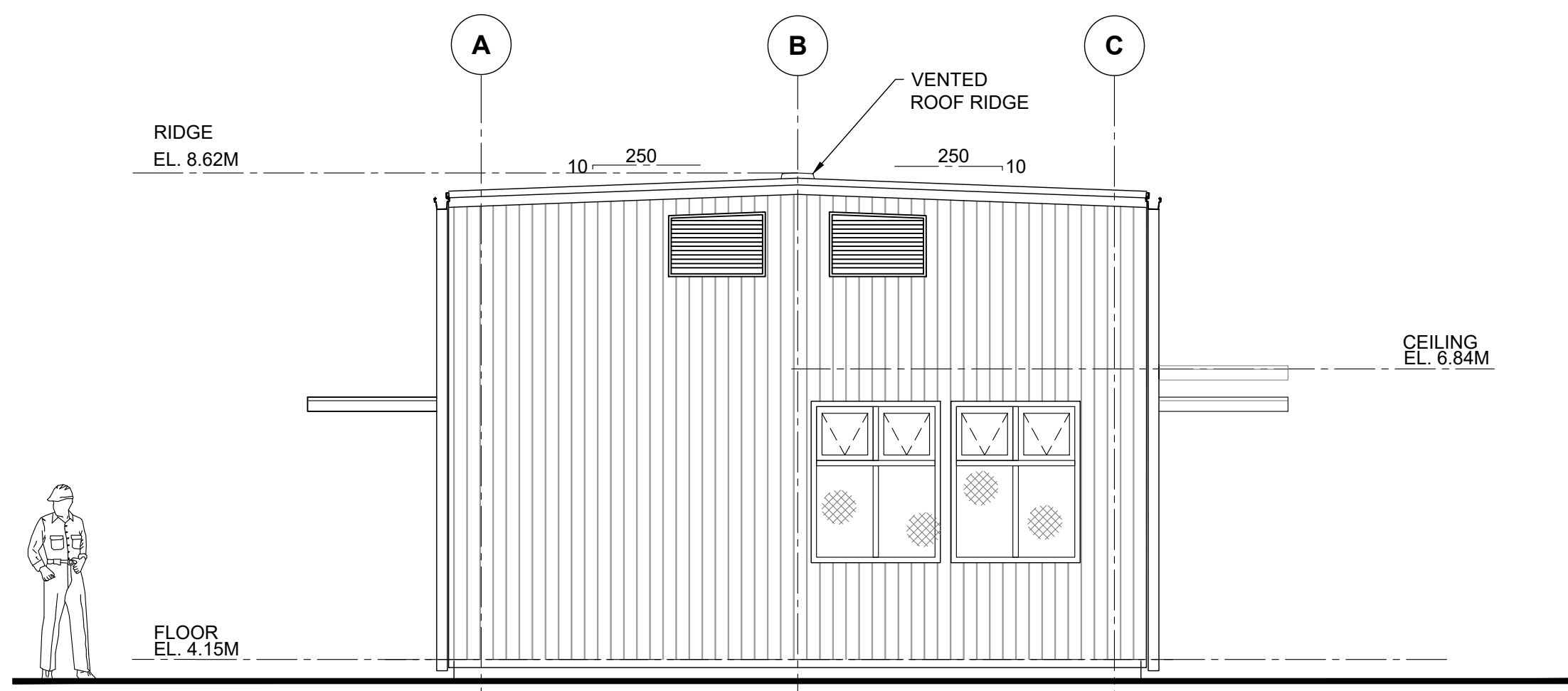
PROFESSIONAL SEAL															
No.	DATE	DESCRIPTION	DRAWN	CHKD	DESIGN	CHKD	APPD	No.	DATE	DESCRIPTION	DRAWN	CHKD	DESIGN	CHKD	APPD
		ISSUE / REVISIONS													



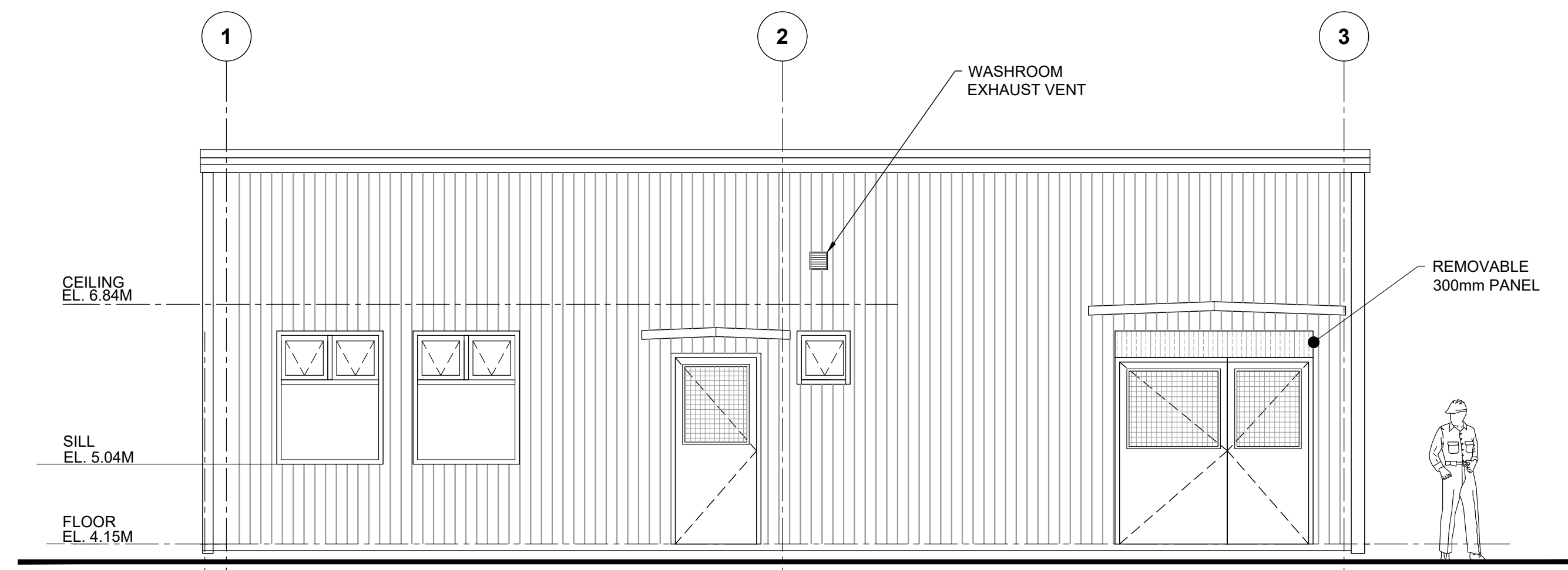
CONSULTANT

TITLE: CANOLA OIL TRANSLOAD FACILITY
SUPPORT BUILDING
ARCHITECTURAL
ROOF PLAN

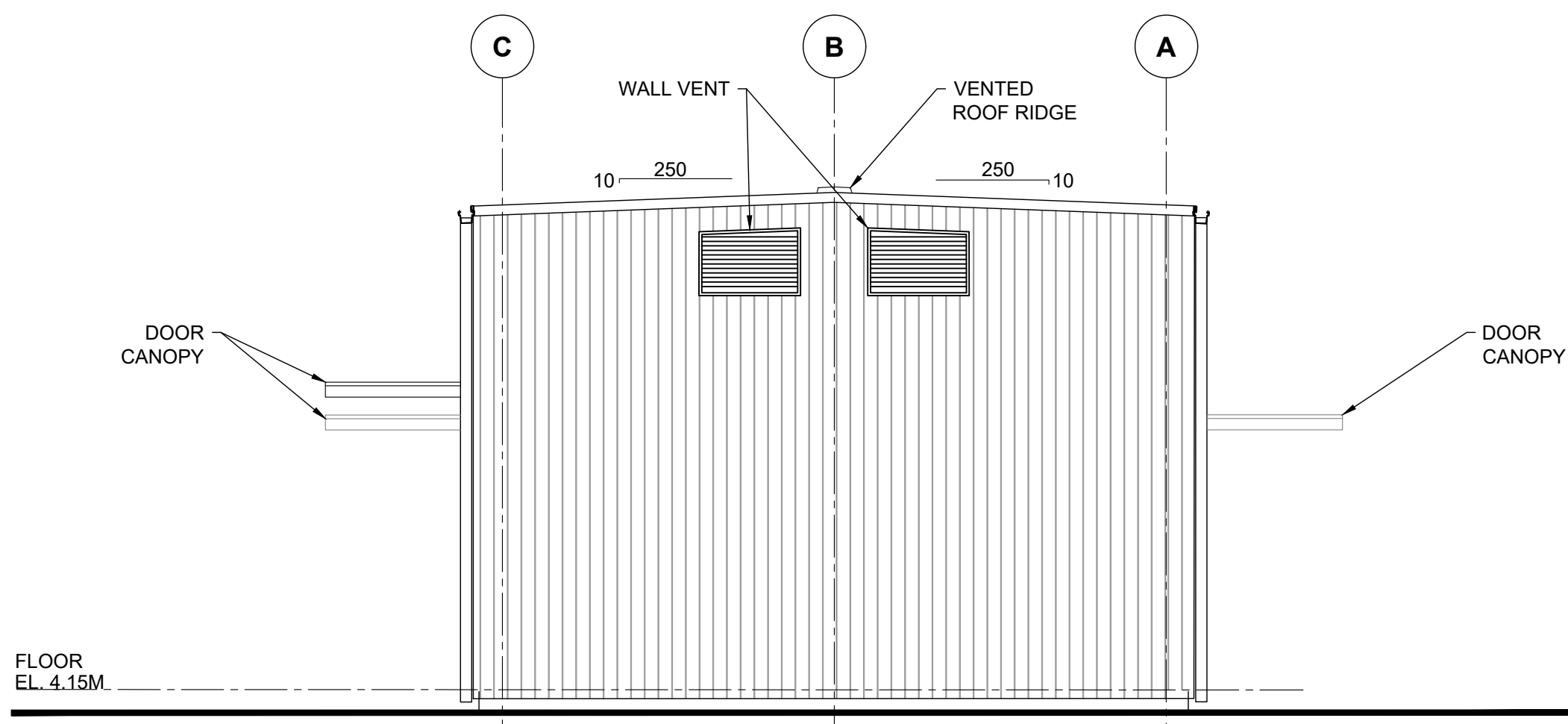
DRAWING SCALE	PROJECT NUMBER	DRAWING NUMBER	REV.
1:25	7704	7704-A-023	A



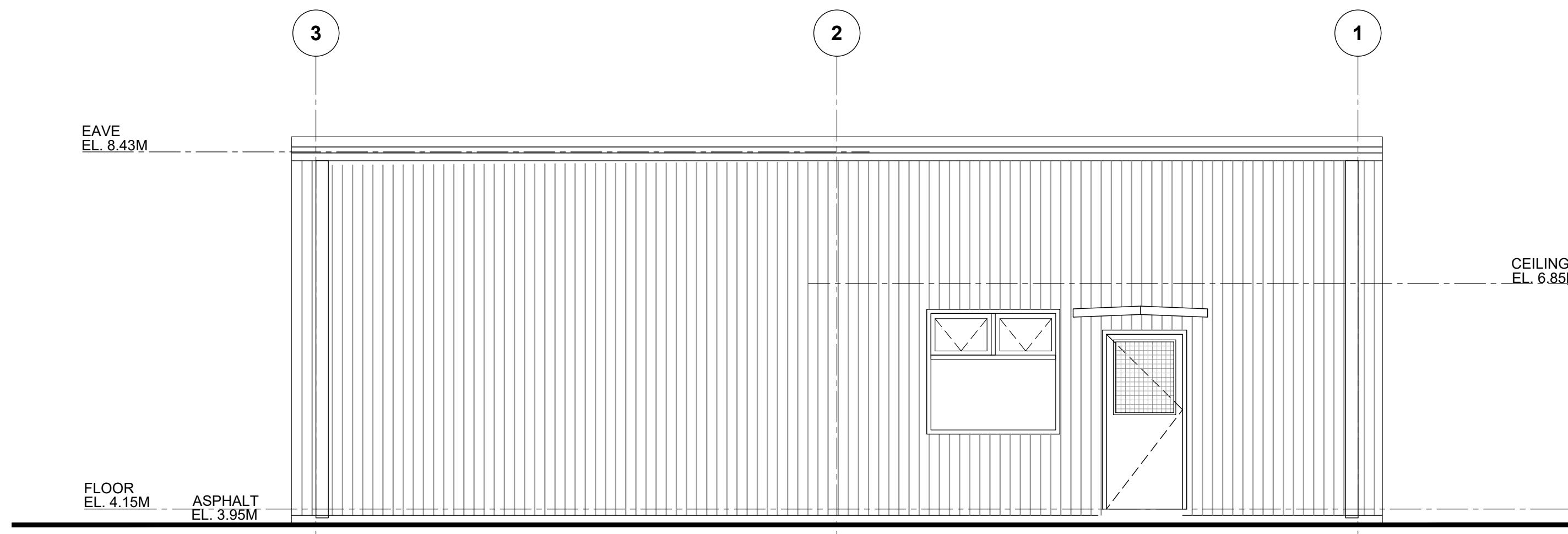
NORTH ELEVATION
SCALE: 1:50



WEST ELEVATION
SCALE: 1:50



SOUTH ELEVATION
SCALE: 1:50



EAST ELEVATION
SCALE: 1:50

ISSUED FOR APPROVAL

INFORMATION ONLY
DO NOT USE FOR CONSTRUCTION
Last Saved: Oct. 28/22 3:53pm

Filename: Z:\libs\A To HDP World Canada\7619 Canola Export OE Ph. 19 Drawings\5 CAD\2 Arch\Support Bldg\7704-A.dwg - 024
Last Saved: Oct. 28/22 3:53pm Plotted: Oct. 28/22

PROFESSIONAL SEAL

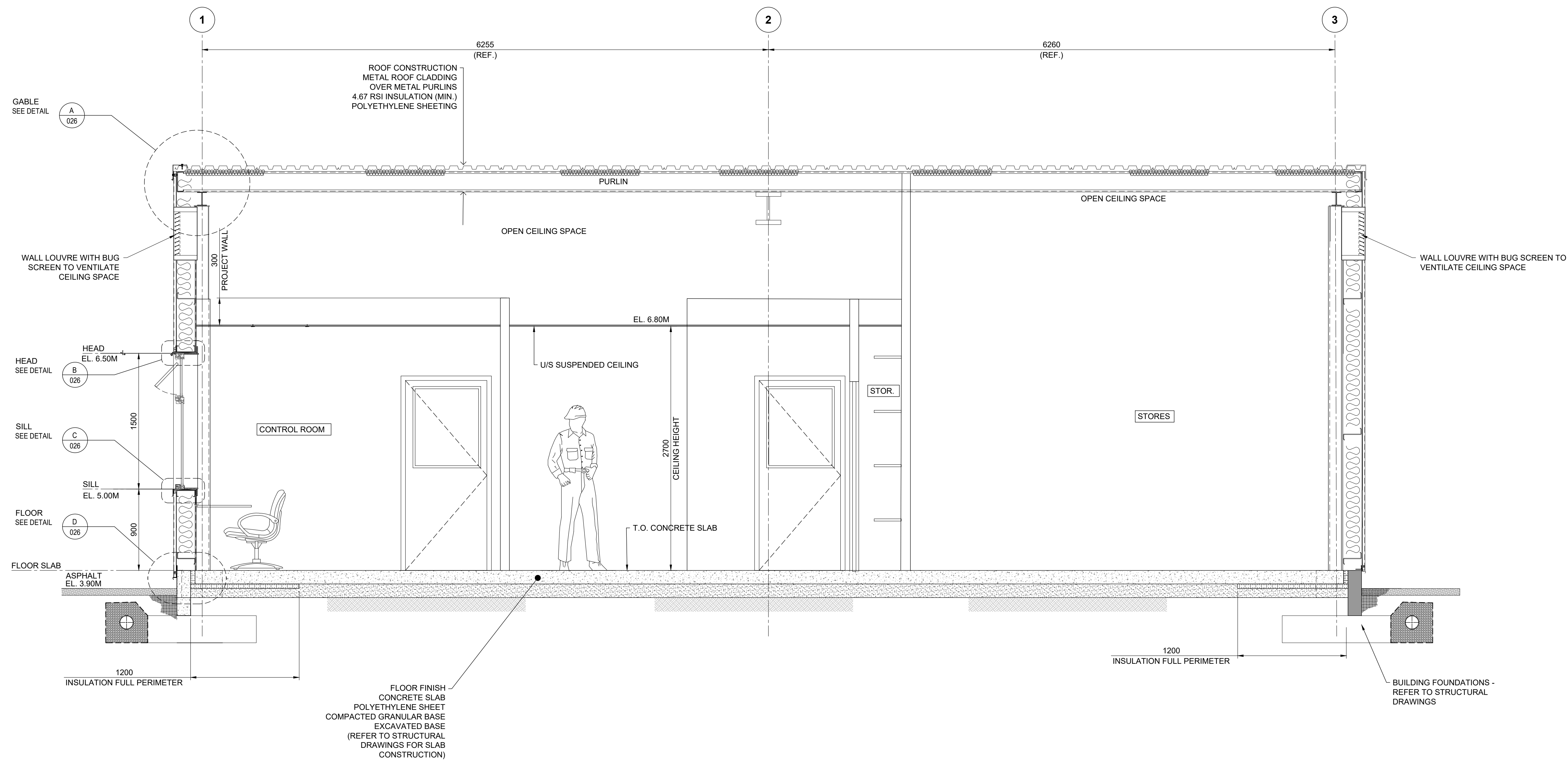
No.	DATE	DESCRIPTION	DRAWN	CHKD	DESIGN	CHKD	APPD	No.	DATE	DESCRIPTION	DRAWN	CHKD	DESIGN	CHKD	APPD
								A	22OCT28	ISSUED FOR APPROVAL (WAS NUMBERED 7704-ARCH-SB-004)	FGP		KAS		
ISSUE / REVISIONS															



CONSULTANT

TITLE: CANOLA OIL TRANSLOAD FACILITY
SUPPORT BUILDING
ARCHITECTURAL
BUILDING ELEVATIONS

DRAWING SCALE	PROJECT NUMBER	DRAWING NUMBER	REV.
1:50	7704	7704-A-024	A



X-SECTION
SCALE: 1:25

1
021

ISSUED FOR APPROVAL

INFORMATION ONLY
DO NOT USE FOR CONSTRUCTION
Last Saved: Oct. 28/22 3:53pm

Filename: Z:\libs\A To HDP World Canada\7819_Canola Export OE Ph_19 Drawings\5 CAD\2 Arch\Support Bldg\7704-A.dwg - 025
Last Saved: Oct. 28/22 3:53pm Plotted: Oct. 28/22

No.	DATE	DESCRIPTION	DRAWN	CHKD	DESIGN	CHKD	APP'D	No.	DATE	DESCRIPTION	DRAWN	CHKD	DESIGN	CHKD	APP'D
		ISSUE / REVISIONS								ISSUE / REVISIONS					

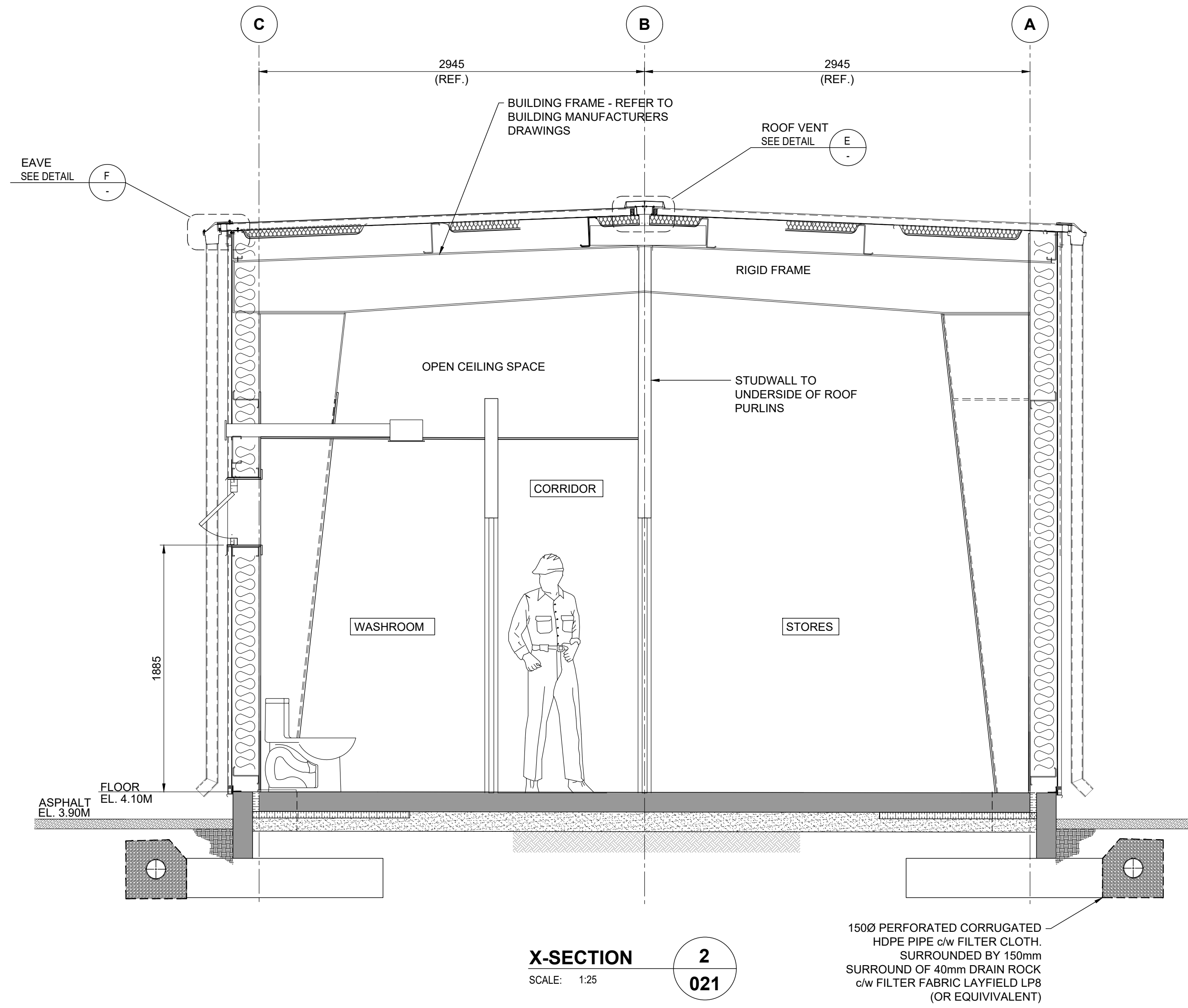


CONSULTANT

TITLE CANOLA OIL TRANSLOAD FACILITY
SUPPORT BUILDING
ARCHITECTURAL
BUILDING CROSS-SECTIONS

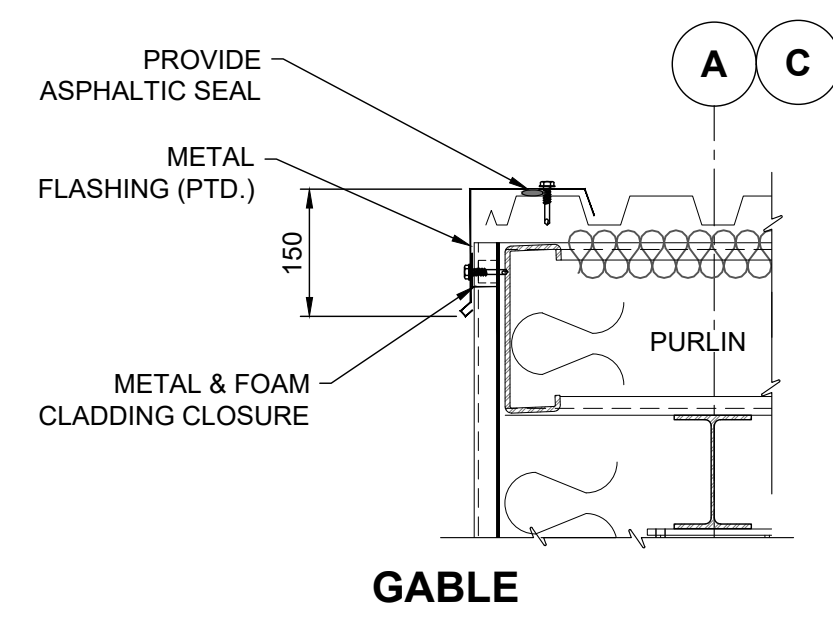
DRAWING SCALE	PROJECT NUMBER	DRAWING NUMBER	REV.
1:25	7704	7704-A-025	A

Filename: Z:\libs\A To HDP World Canada\7619_Canola Export OE Ph. 19 Drawings\5 CAD\2 Arch\Support Bldg\7704-A.dwg - 026
 Last Saved: Oct. 28/22 3:53pm Plotted: Oct. 28/22



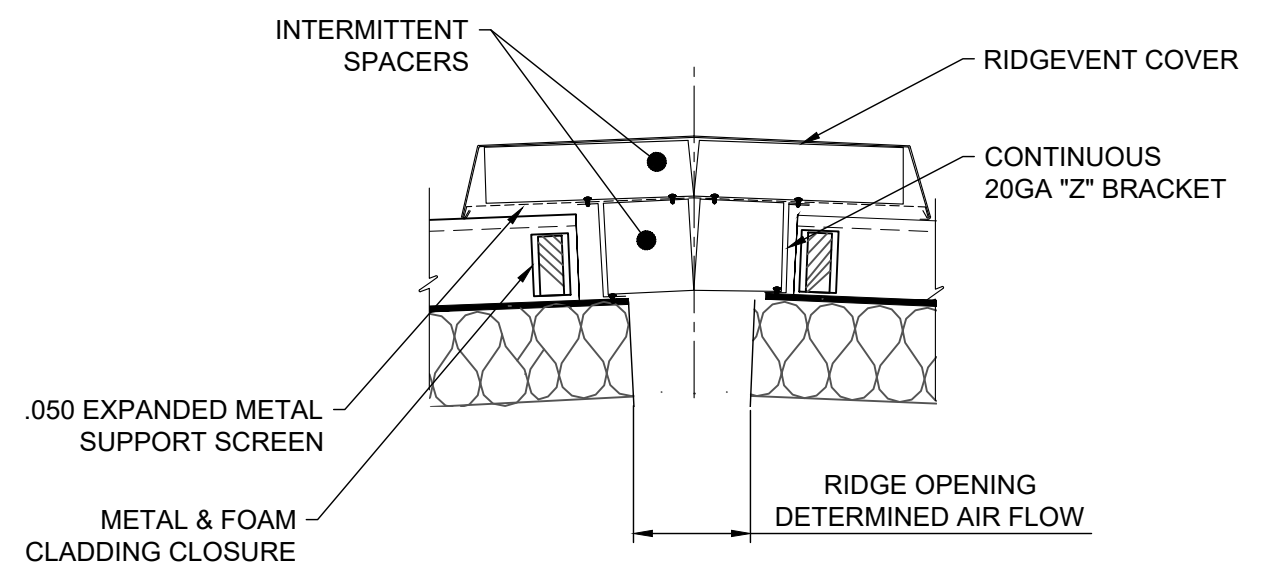
X-SECTION
SCALE: 1:25

2
021



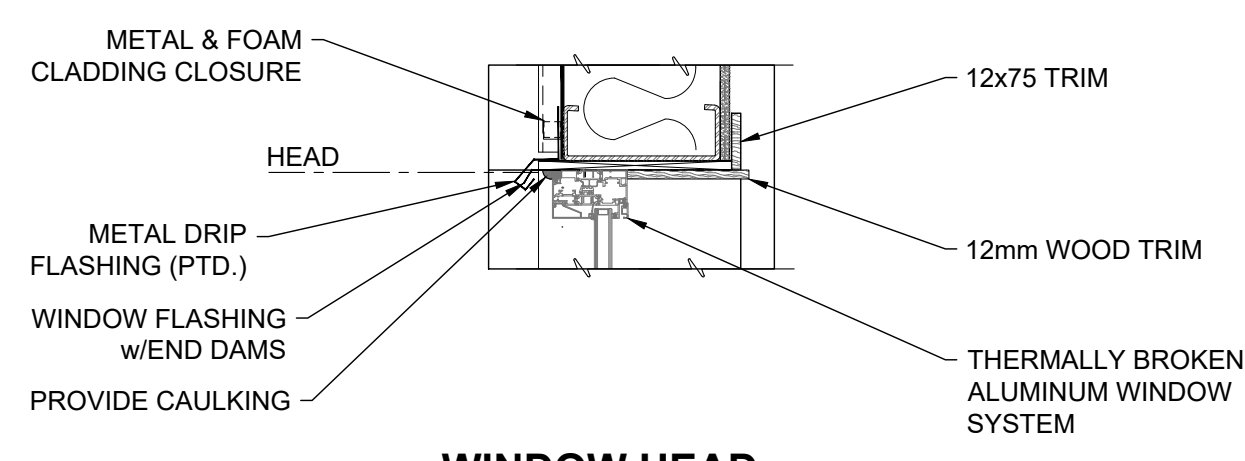
GABLE
DETAIL
SCALE: 1:10

A
025



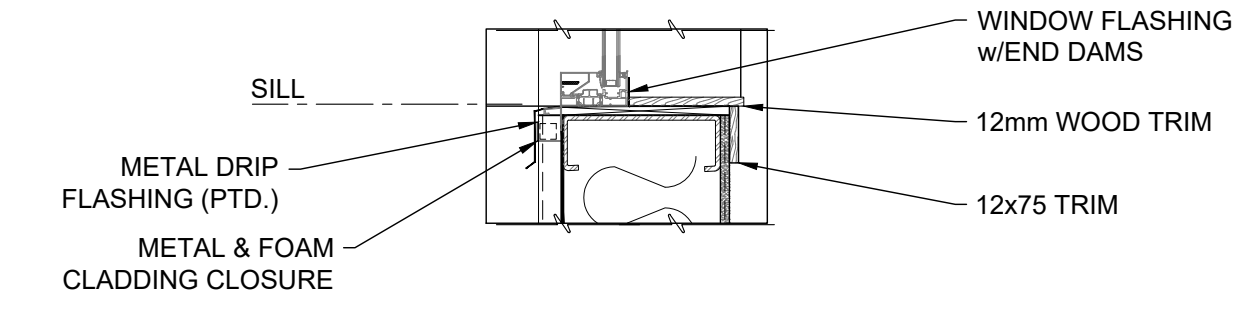
RIDGE VENT (CONT.)
DETAIL
SCALE: 1:5

E
-



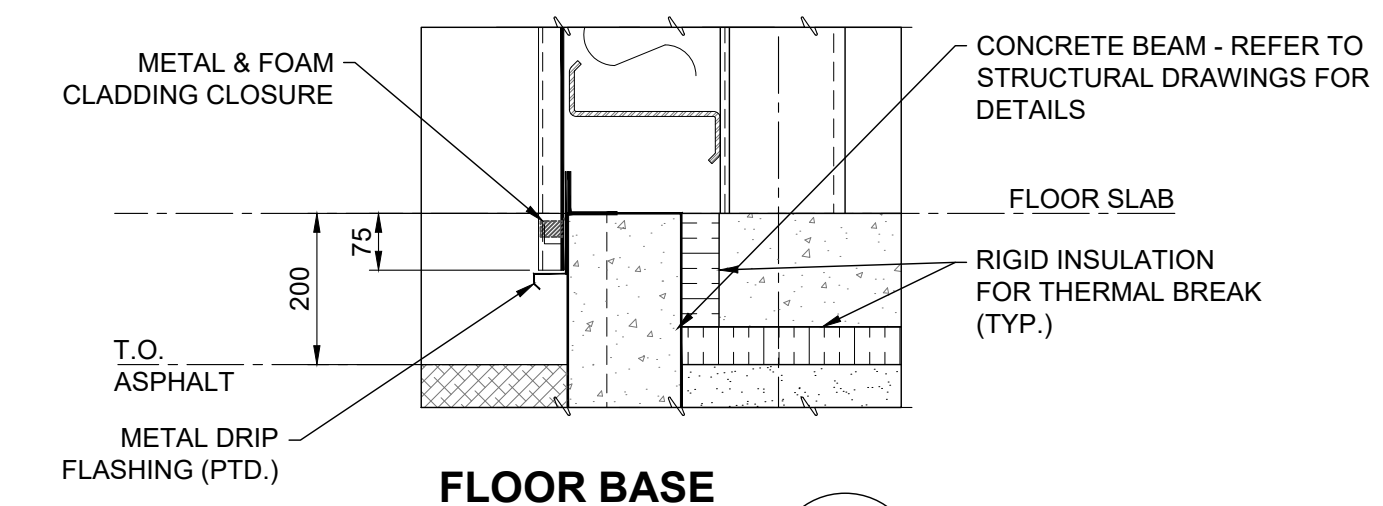
WINDOW HEAD
DETAIL
SCALE: 1:10

B
025



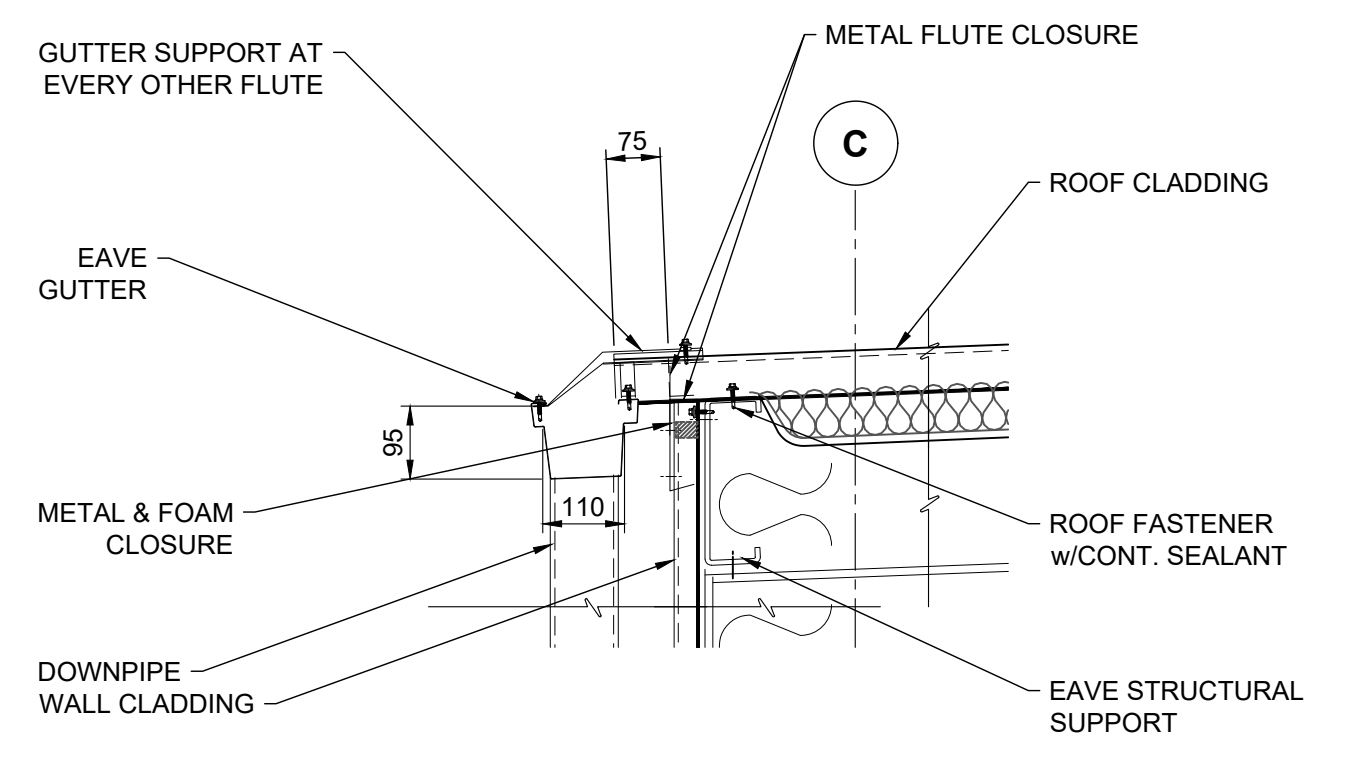
WINDOW SILL
DETAIL
SCALE: 1:10

C
025



FLOOR BASE
DETAIL
SCALE: 1:10

D
025



EAVE
DETAIL
SCALE: 1:10

F
-

ISSUED FOR APPROVAL

INFORMATION ONLY
DO NOT USE FOR CONSTRUCTION
Last Saved: Oct. 28/22 3:53pm

No.	DATE	DESCRIPTION	DRAWN	CHKD	DESIGN	CHKD	APPD	No.	DATE	DESCRIPTION	DRAWN	CHKD	DESIGN	CHKD	APPD
								A	22OCT28	ISSUED FOR APPROVAL (WAS NUMBERED 7704-ARCH-SB-006)	FGP		KAS		
ISSUE / REVISIONS															



CONSULTANT

TITLE: CANOLA OIL TRANSLOAD FACILITY SUPPORT BUILDING ARCHITECTURAL BUILDING CROSS-SECTION & DETAILS

DRAWING SCALE	PROJECT NUMBER	DRAWING NUMBER	REV.
1:25	7704	7704-A-026	A

