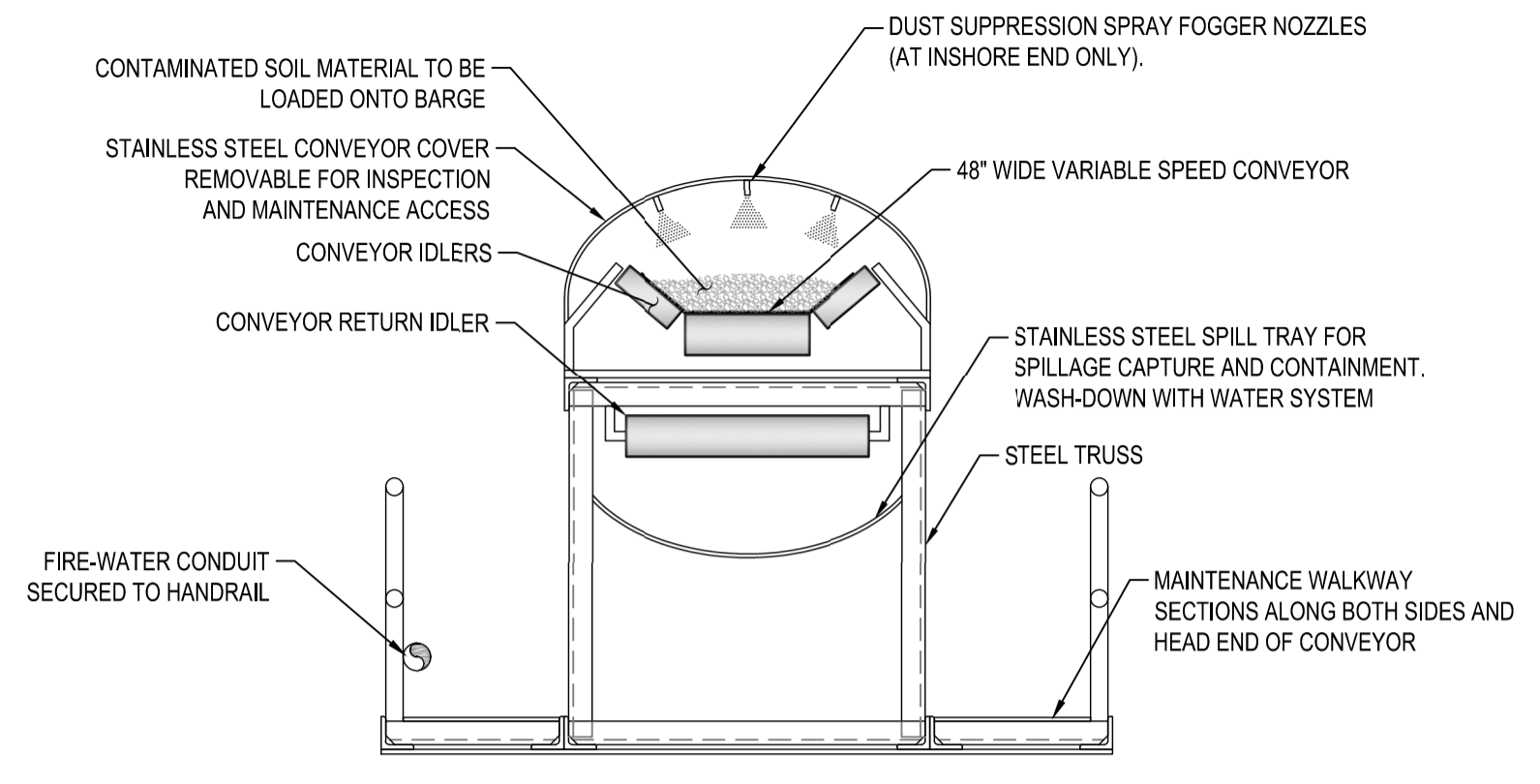
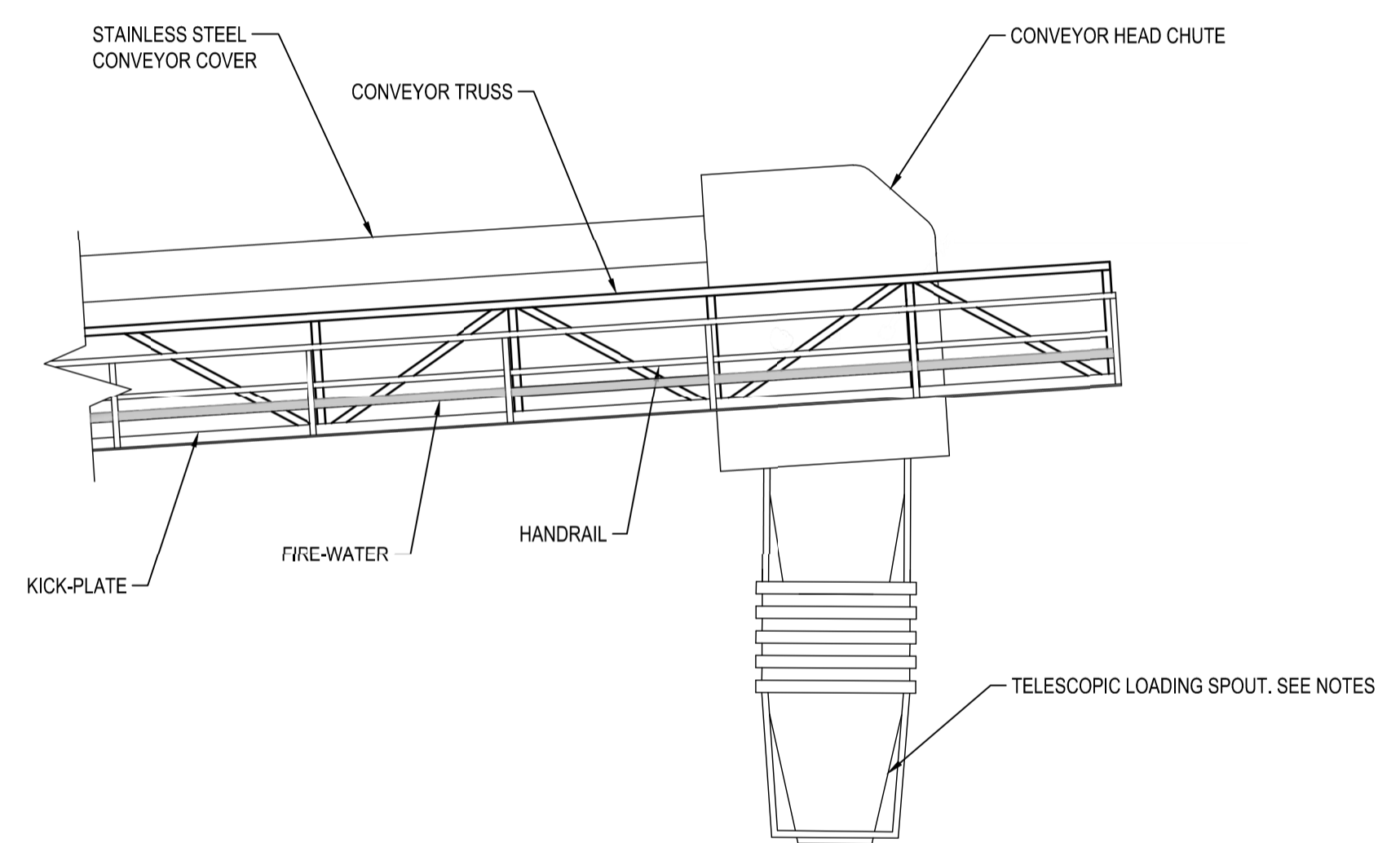


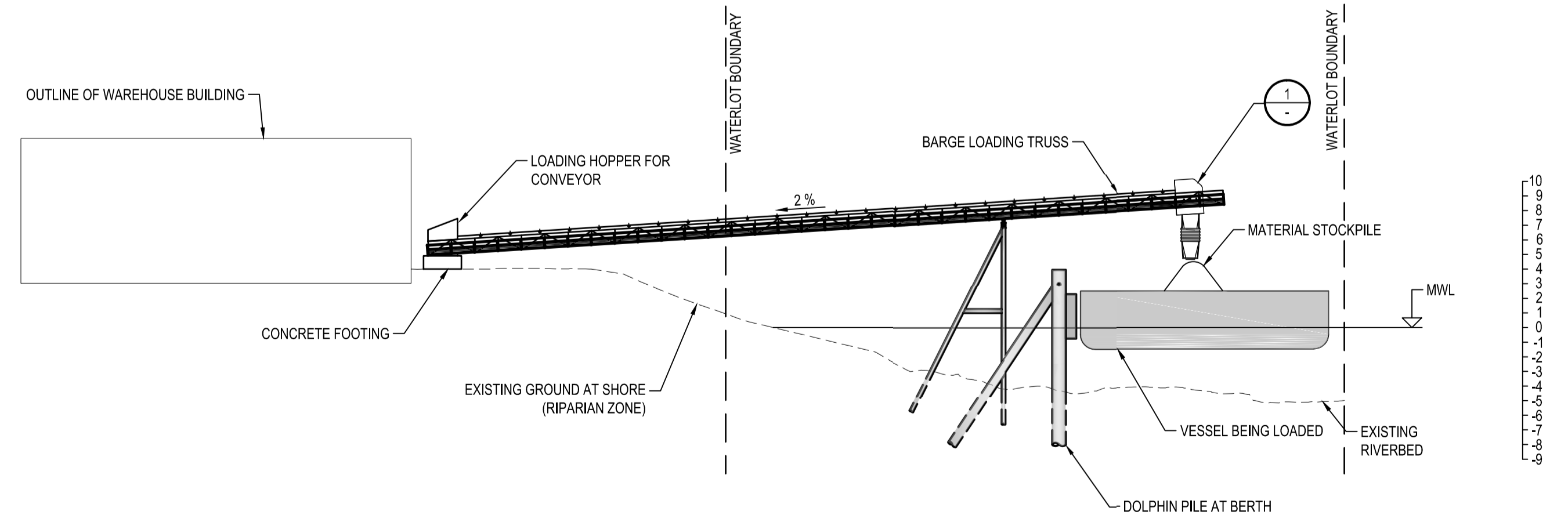
PLAN VIEW - LOADED BARGE AT MWL
SCALE 1: 300



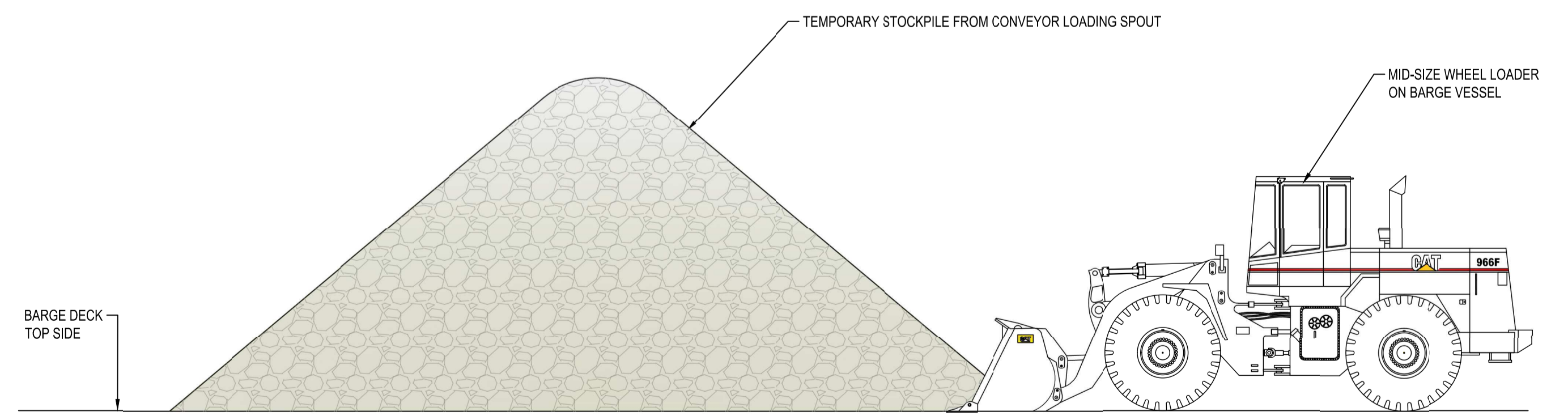
SECTION A-A
SCALE H 1:20
V 1:20



DETAIL 1
SCALE H 1:50



PROFILE AT CENTRE OF CONVEYOR - LOADED BARGE AT MWL
SCALE 1: 300



NOTES:
1. DRAWING IS TO BE READ IN CONJUNCTION WITH THE REPORT TITLED "DERWENT WAY BARGE FACILITY, MARINE TERMINAL OPERATIONS", DATED JULY 24th, 2018.

Rev	Date	Description	Drawn	Design	App'd
PA	2018-07-24	ISSUED FOR INFORMATION	GC	MF	MF

THIS DRAWING AND DESIGN IS THE PROPERTY OF McELHANNNEY CONSULTING SERVICES LTD. (McELHANNNEY) AND SHALL NOT BE USED, REUSED OR REPRODUCED WITHOUT THE CONSENT OF McELHANNNEY. McELHANNNEY WILL NOT BE HELD RESPONSIBLE FOR THE IMPROPER OR UNAUTHORIZED USE OF THIS DRAWING AND DESIGN. THIS DRAWING AND DESIGN HAS BEEN PREPARED FOR THE CLIENT IDENTIFIED, TO MEET THE STANDARDS AND REQUIREMENTS OF THE APPLICABLE PUBLIC AGENCIES AT THE TIME OF PREPARATION. McELHANNNEY, ITS EMPLOYEES, SUBCONSULTANTS AND AGENTS WILL NOT BE LIABLE FOR ANY LOSSES OR OTHER CONSEQUENCES RESULTING FROM THE USE OR RELIANCE UPON, OR ANY CHANGES MADE TO, THIS DRAWING BY ANY THIRD PARTY, INCLUDING CONTRACTORS, SUPPLIERS, CONSULTANTS AND STAKEHOLDERS, OR THEIR EMPLOYEES OR AGENTS, WITHOUT McELHANNNEY'S PRIOR WRITTEN CONSENT. INFORMATION ON EXISTING UNDERGROUND FACILITIES MAY NOT BE COMPLETE OR ACCURATE. McELHANNNEY, ITS EMPLOYEES AND DIRECTORS ARE NOT RESPONSIBLE NOR LIABLE FOR THE LOCATION OF ANY UNDERGROUND CONDUITS, PIPES, CABLES OR OTHER FACILITIES WHETHER SHOWN OR OMITTED FROM THIS PLAN. PRIOR TO CONSTRUCTION CONTRACTOR SHALL EXPOSE LOCATIONS OF ALL EXISTING FACILITIES BY HAND DIGGING OR HYDROVAC AND ADVISE THE ENGINEER OF POTENTIAL CONFLICTS.

SCALE AS NOTED
ORIGINAL DWG SIZE: A1 (594 x 841mm)

McElhanney
McElhanney Consulting Services Ltd.

495 Sixth Street
Courtenay BC
Canada V9N 6V4
Tel 250 338 5495

TETRA TECH
DERWENT WAY
BARGE LOADING MARINE FACILITY
OPERATIONAL LOADING - GENERAL ARRANGEMENT
91484 DERWENT WAY
DELTA, BC

Drawing No.	000
Project Number	2211-70549-00
Rev.	PA